

Repair Parts

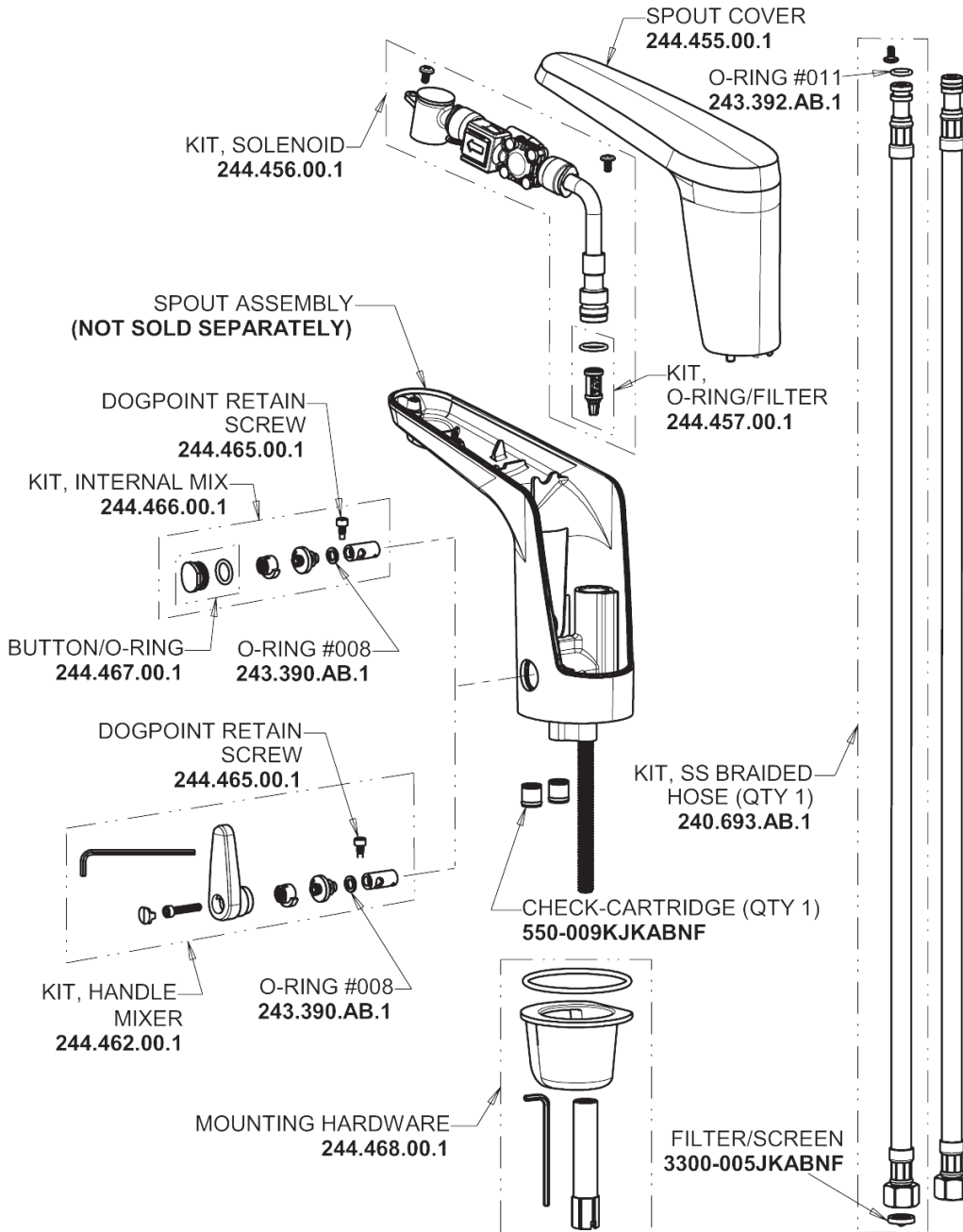
E80-A11H-46ABCP

E-Tronic 80 Sink Faucet with Dual Beam Infrared Sensor

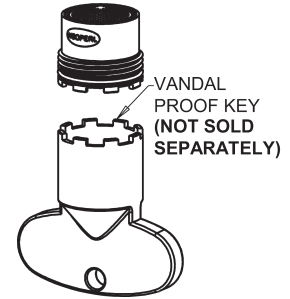
CHICAGO FAUCETS®

Geberit Group

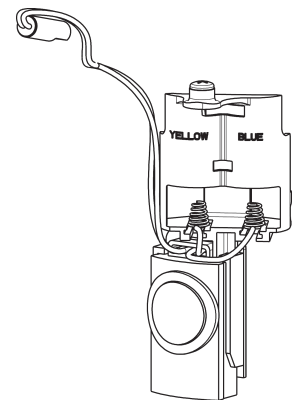
E-Tronic 80 Dual Supply Base with Internal Mixer and User Temp Control Base Parts:



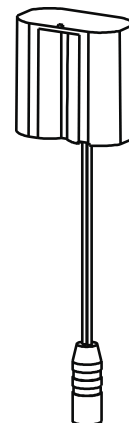
0.5 GPM (1.9 L/min) Pressure Compensating Laminar Flow Outlet 244.168.00.1



Electronic Module 244.458.00.1



AC Power Adapter 240.747.00.1



For Technical Assistance:

Phone: 800-TEC-TRUE (832-8783)

Email: techsupport.us@chicago faucets.com

2100 South Clearwater Drive

Des Plaines, IL 60018

Phone: 847-803-5000

chicago faucets.com