

# Repair Parts

E80-A11F-67ABCP

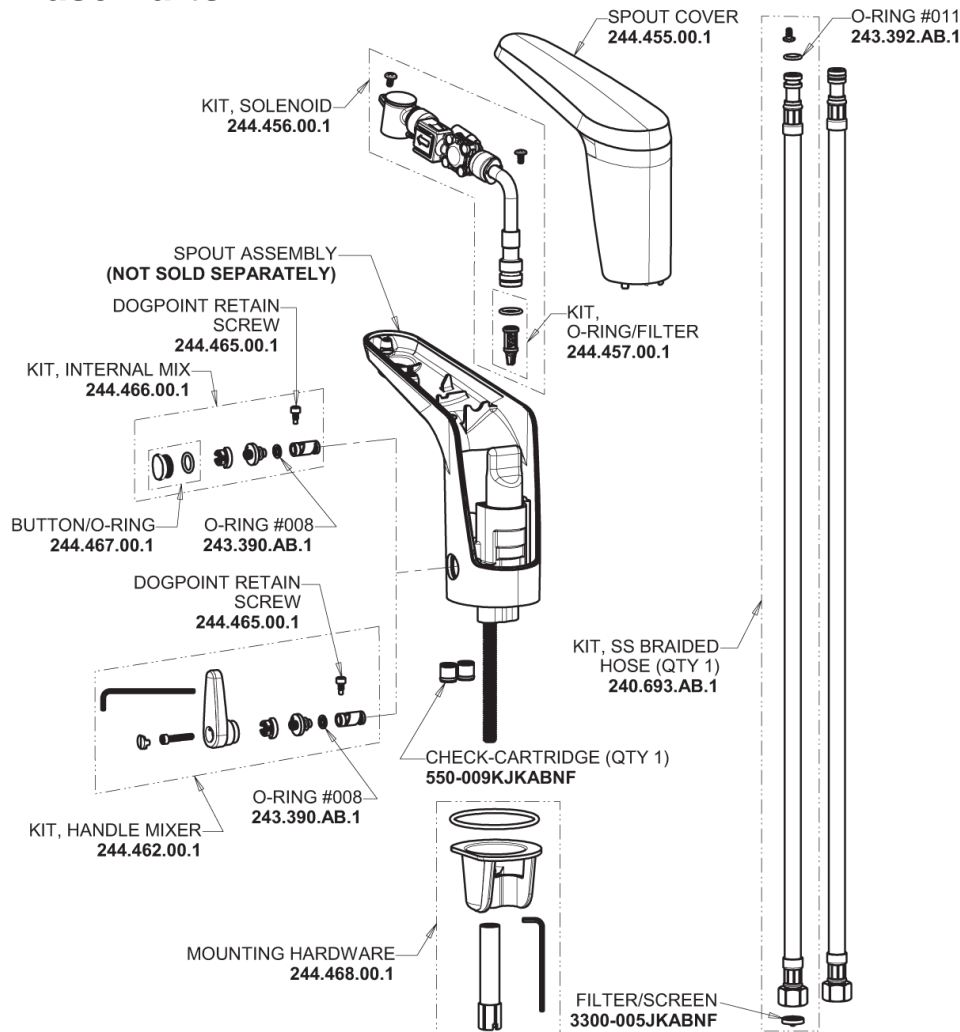
E-Tronic 80 Sink Faucet with Dual Beam Infrared Sensor

# CHICAGO FAUCETS®

Geberit Group

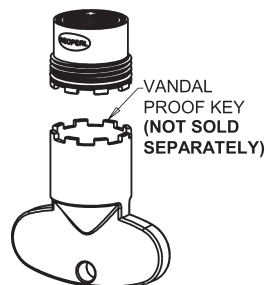
E-Tronic 80 Base with Thermostatic Mixer

## Base Parts:



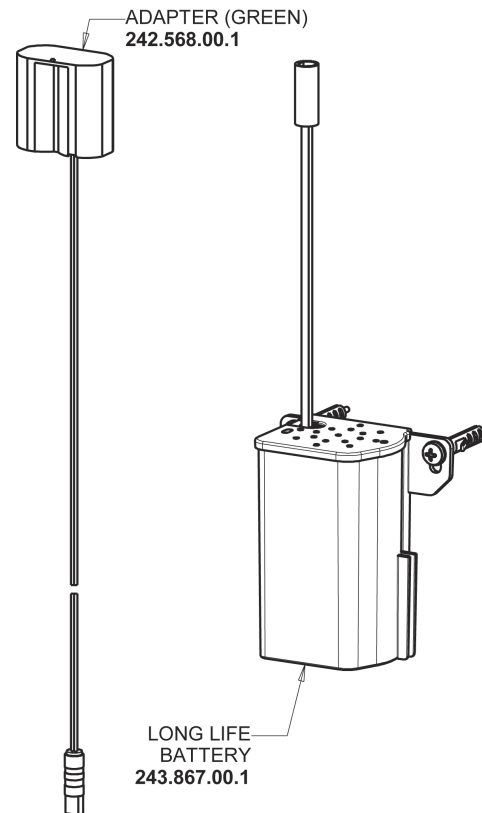
1.5 GPM (5.7 L/min) Pressure Compensating Laminar Flow Outlet

244.169.00.1



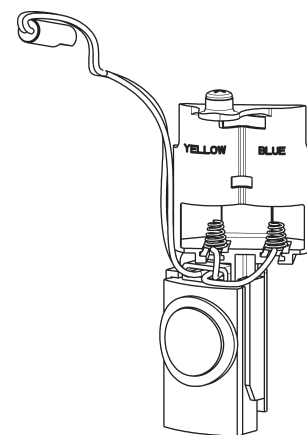
Long Life Battery Kit

243.868.00.1



Electronic Module

244.458.00.1



## For Technical Assistance:

Phone: 800-TEC-TRUE (832-8783)

Email: [techsupport.us@chicagofaucets.com](mailto:techsupport.us@chicagofaucets.com)

2100 South Clearwater Drive

Des Plaines, IL 60018

Phone: 847-803-5000

[chicagofaucets.com](http://chicagofaucets.com)