

# Repair Parts

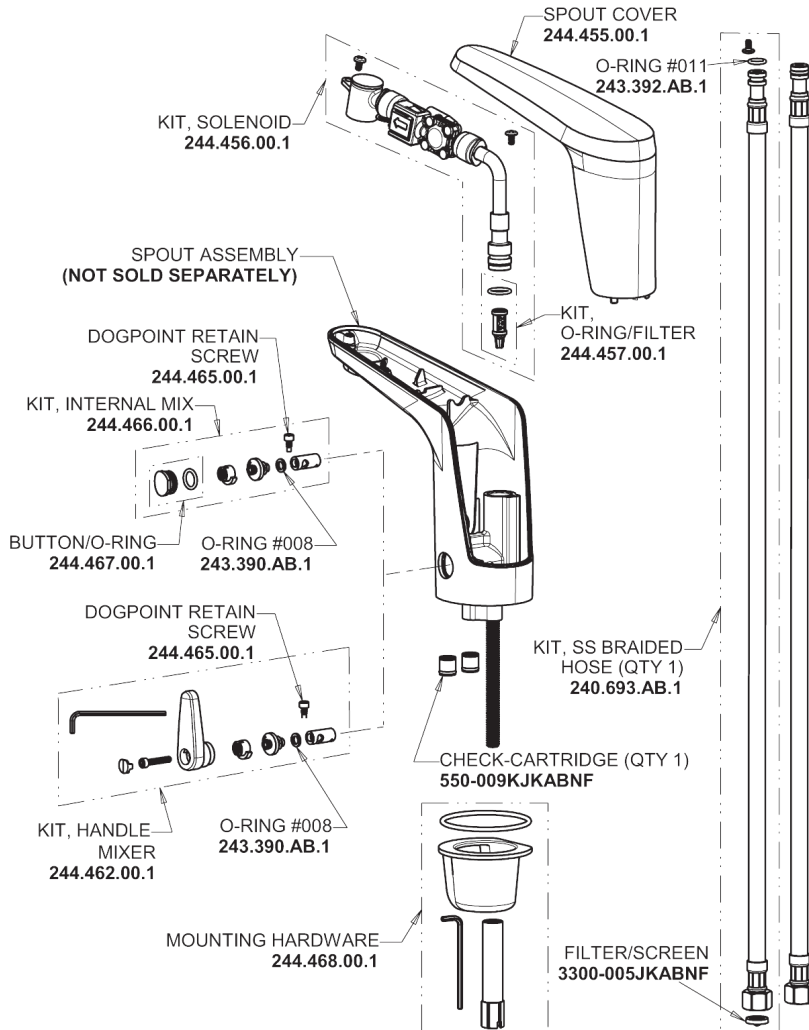
E80-A11F-66ABCP

E-Tronic 80 Sink Faucet with Dual Beam Infrared Sensor

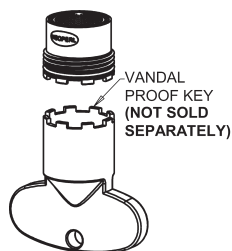
# CHICAGO FAUCETS®

Geberit Group

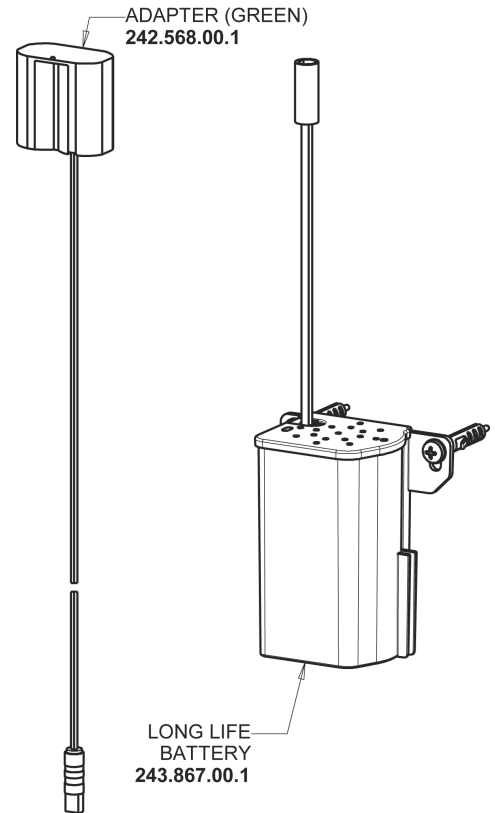
## E-Tronic 80 Dual Supply Base with Internal Mixer and User Temp Control Base Parts:



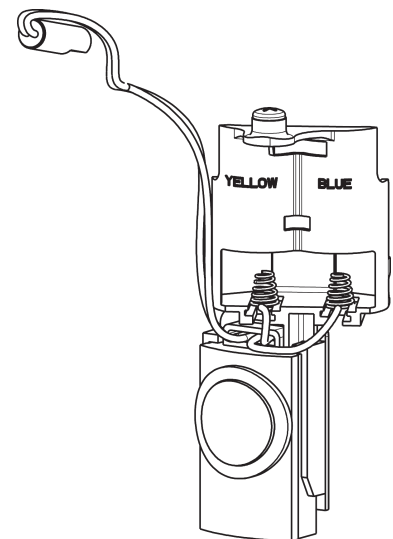
## 1.5 GPM (5.7 L/min) Pressure Compensating Laminar Flow Outlet 244.169.00.1



## Long Life Battery Kit 243.868.00.1



## Electronic Module 244.458.00.1



## For Technical Assistance:

Phone: 800-TEC-TRUE (832-8783)

Email: [techsupport.us@chicago faucets.com](mailto:techsupport.us@chicago faucets.com)

2100 South Clearwater Drive

Des Plaines, IL 60018

Phone: 847-803-5000

[chicago faucets.com](http://chicago faucets.com)