

# Repair Parts

E80-A11E-47ABCP

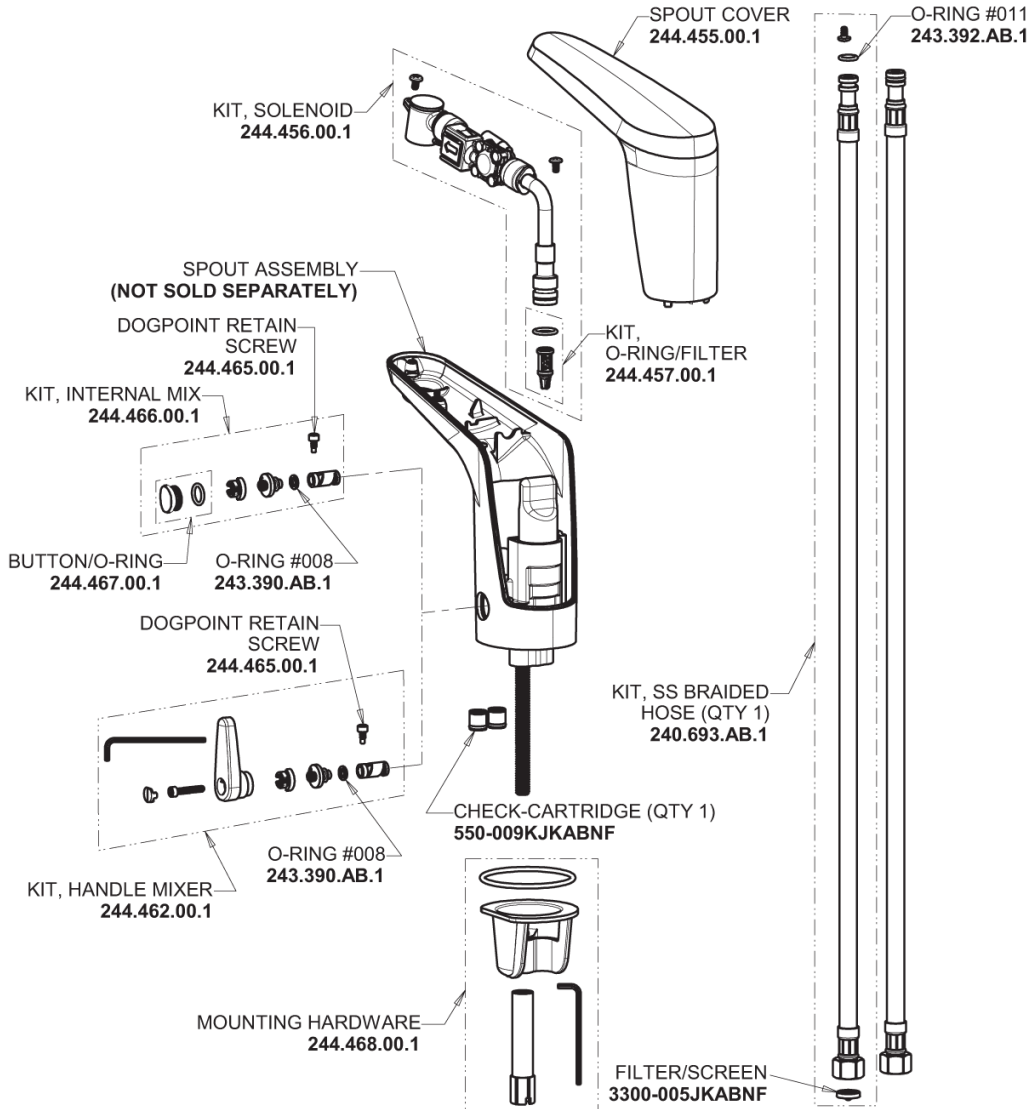
E-Tronic 80 Sink Faucet with Dual Beam Infrared Sensor

# CHICAGO FAUCETS®

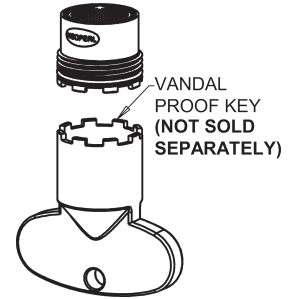
Geberit Group

E-Tronic 80 Base with Thermostatic Mixer

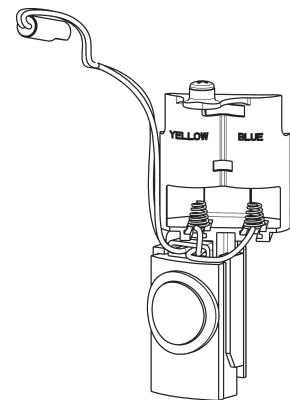
## Base Parts:



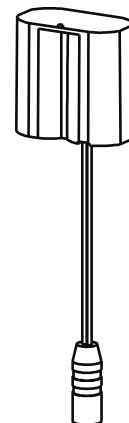
1.0 GPM (3.8 L/min) Pressure  
Compensating Laminar Flow Outlet  
244.170.00.1



Electronic Module  
244.458.00.1



AC Power Adapter  
240.747.00.1



## For Technical Assistance:

Phone: 800-TEC-TRUE (832-8783)

Email: [techsupport.us@chicago faucets.com](mailto:techsupport.us@chicago faucets.com)

2100 South Clearwater Drive

Des Plaines, IL 60018

Phone: 847-803-5000

[chicago faucets.com](http://chicago faucets.com)