

Repair Parts

E80-A11A-67ABCP

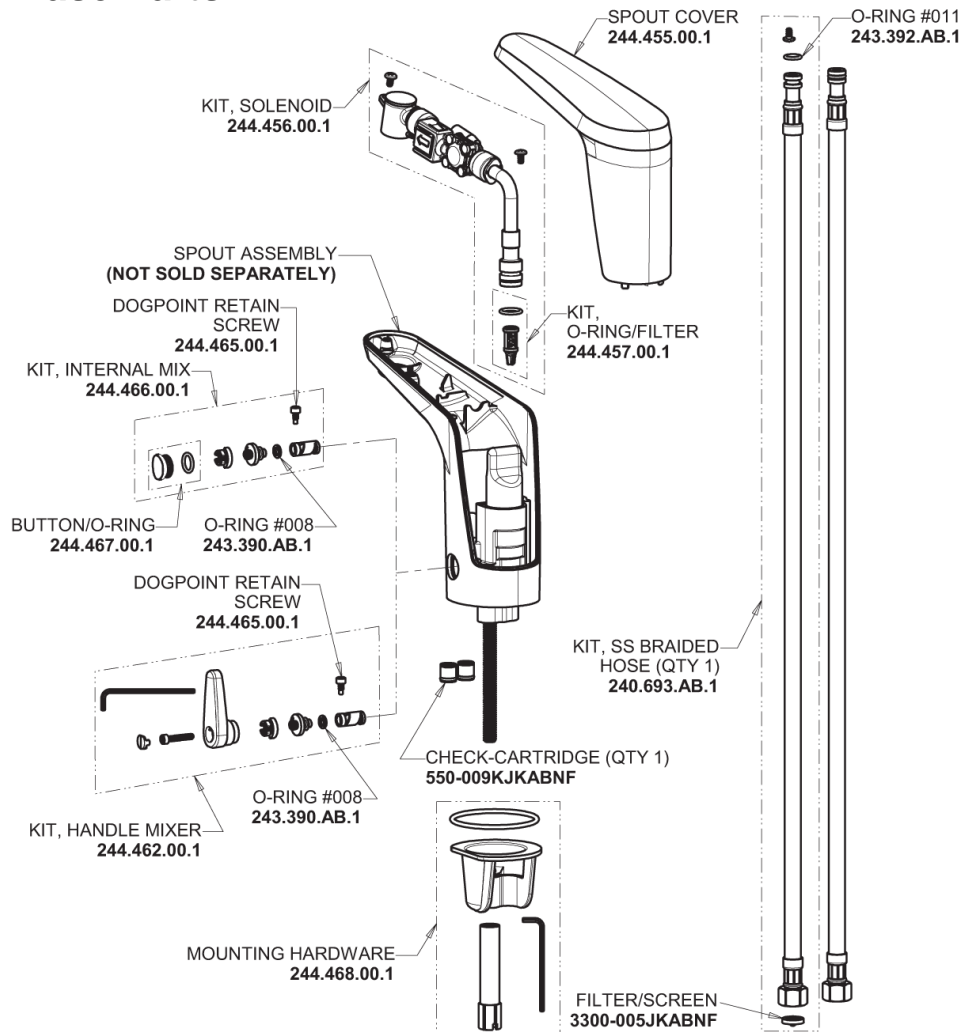
E-Tronic 80 Sink Faucet with Dual Beam Infrared Sensor

CHICAGO FAUCETS®

Geberit Group

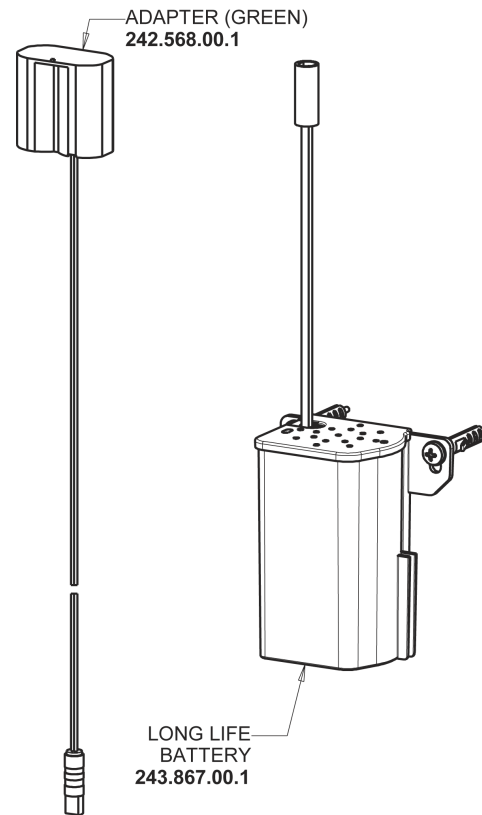
E-Tronic 80 Base with Thermostatic Mixer

Base Parts:



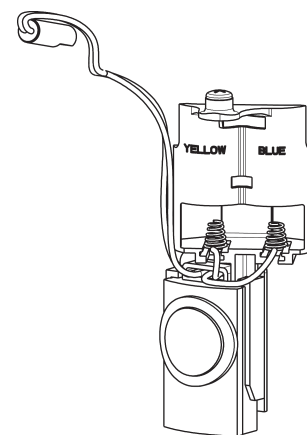
Long Life Battery Kit

243.868.00.1



Electronic Module

244.458.00.1



0.5 GPM (1.9 L/min) Vandal Proof Pressure Compensating Econo-Flo Non-Aerating Spray Outlet

243.145.AB.1



For Technical Assistance:

Phone: 800-TEC-TRUE (832-8783)

Email: techsupport.us@chicagofaucets.com

2100 South Clearwater Drive

Des Plaines, IL 60018

Phone: 847-803-5000

chicagofaucets.com