

# Repair Parts

E80-A11A-61ABCP

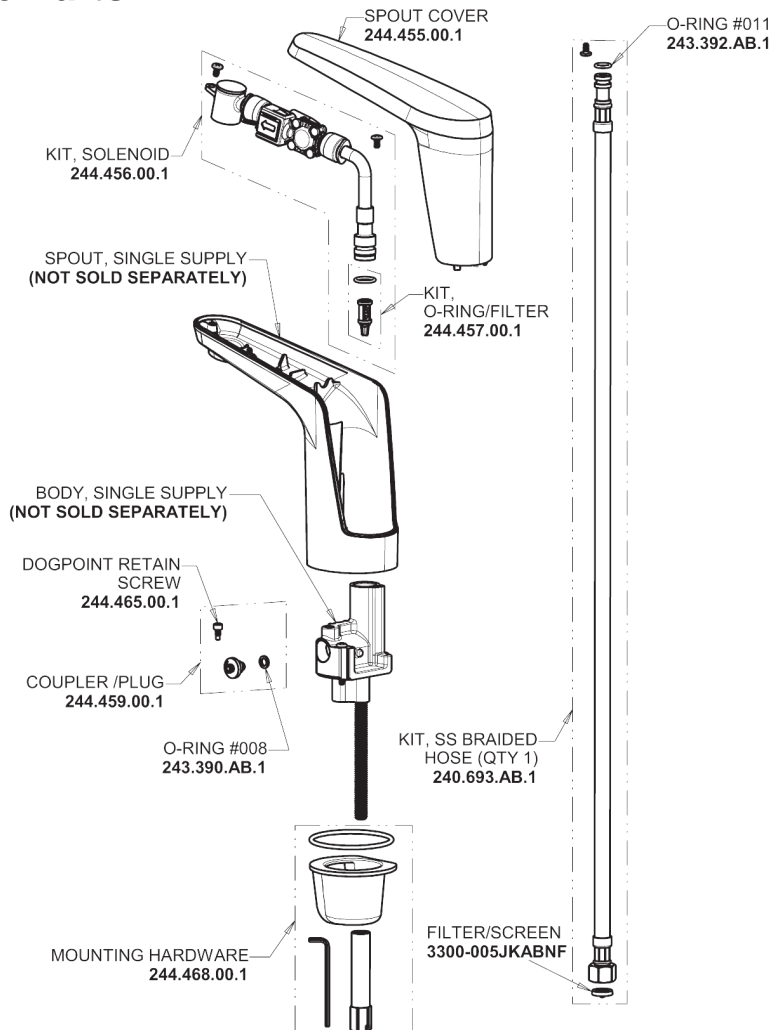
E-Tronic 80 Sink Faucet with Dual Beam Infrared Sensor

# CHICAGO FAUCETS®

Geberit Group

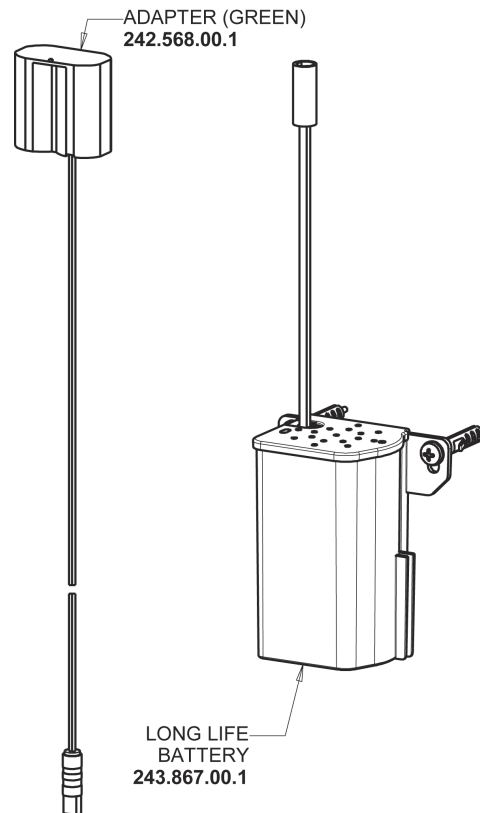
E-Tronic 80 Single Supply Base

## Base Parts:



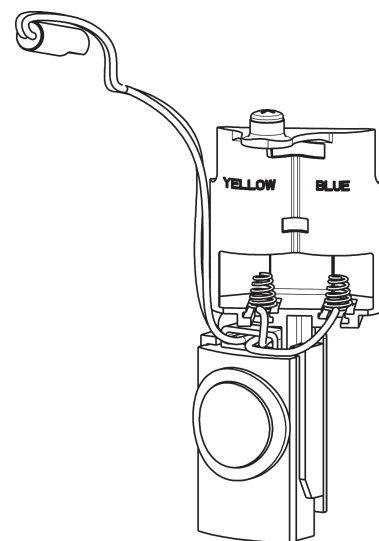
Long Life Battery Kit

243.868.00.1



Electronic Module

244.458.00.1



0.5 GPM (1.9 L/min) Vandal Proof Pressure Compensating Econo-Flo Non-Aerating Spray Outlet  
243.145.AB.1



## For Technical Assistance:

Phone: 800-TEC-TRUE (832-8783)

Email: [techsupport.us@chicagofaucets.com](mailto:techsupport.us@chicagofaucets.com)

2100 South Clearwater Drive

Des Plaines, IL 60018

Phone: 847-803-5000

[chicagofaucets.com](http://chicagofaucets.com)