

Repair Parts

116.979.AB.1

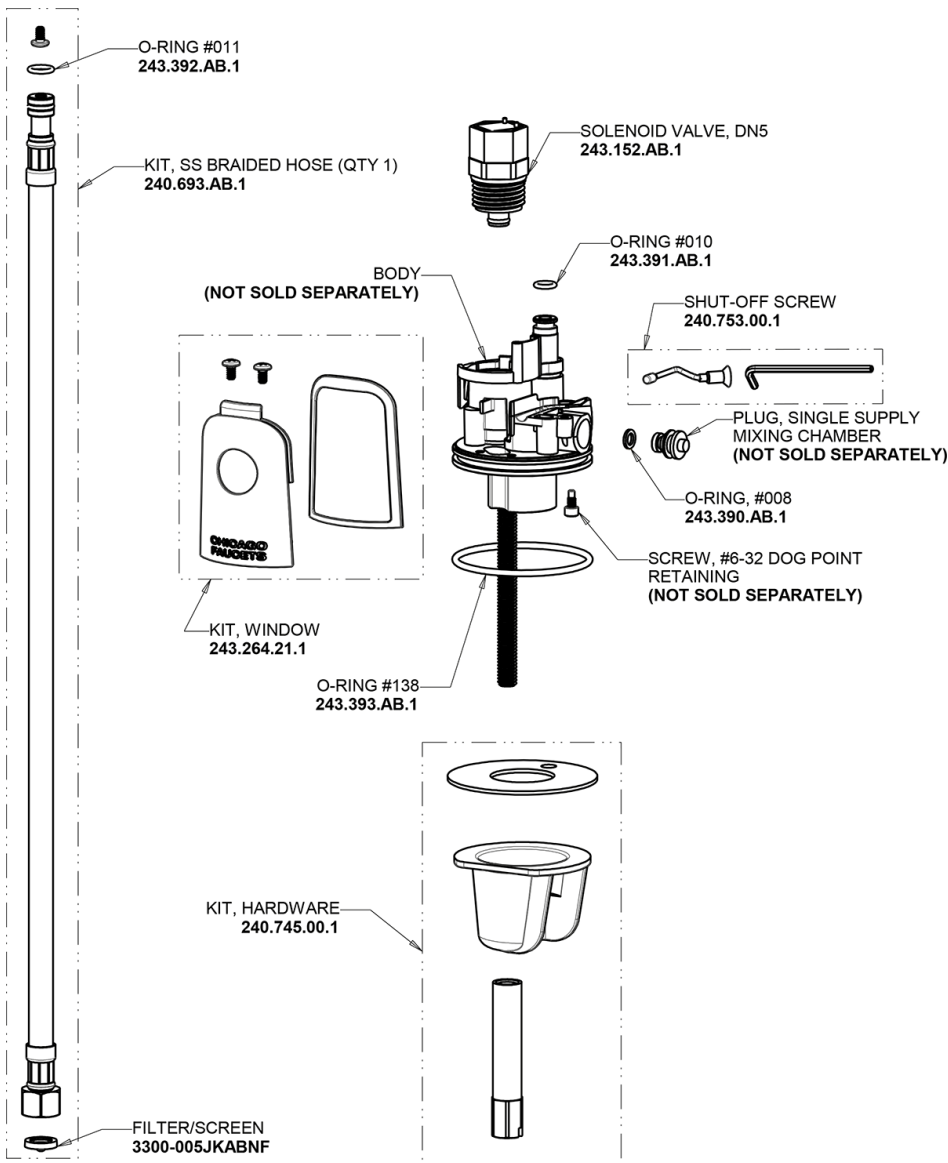
HyTronic Curve Sink Faucet with Dual Beam Infrared Sensor

**CHICAGO
FAUCETS**

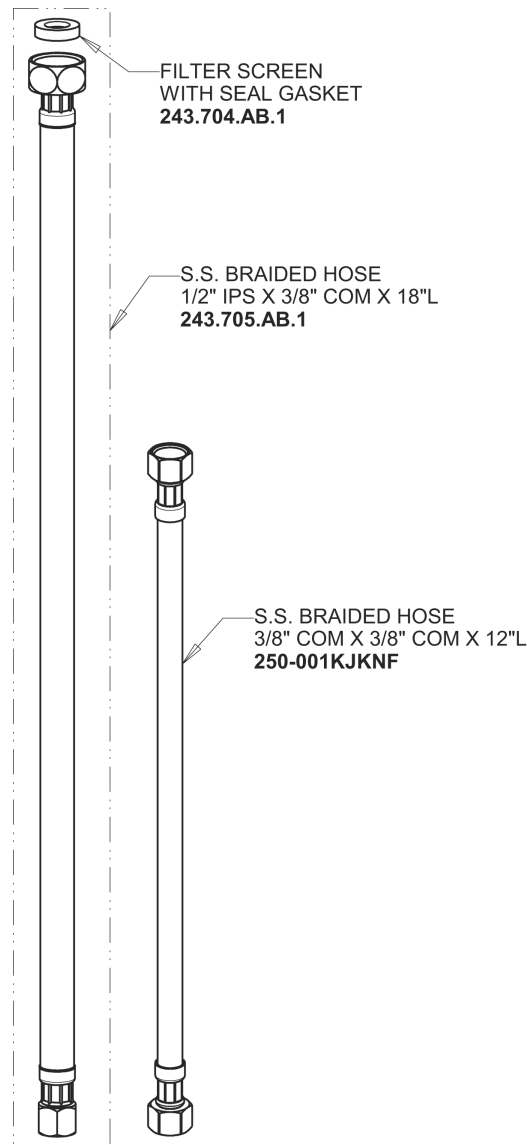
a Geberit company

HyTronic Base, No Mixer

Base Parts:



Hoses for HyTronic, E-Tronic 40
243.705.AB.1, 250-001KJKNF



For Technical Assistance:

Phone: 800-TEC-TRUE (832-8783)

Email: techsupport.us@chicagofaucets.com

2100 South Clearwater Drive

Des Plaines, IL 60018

Phone: 847-803-5000

chicagofaucets.com

Repair Parts

116.979.AB.1




HyTronic Curve Sink Faucet with Dual Beam Infrared Sensor

**CHICAGO
FAUCETS** 

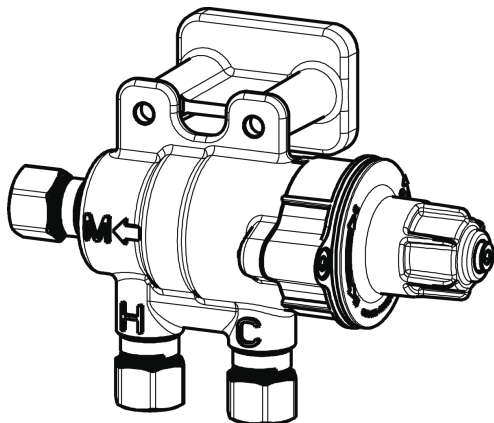
a Geberit company

HyTronic Curve Spout
242.755.AB.1

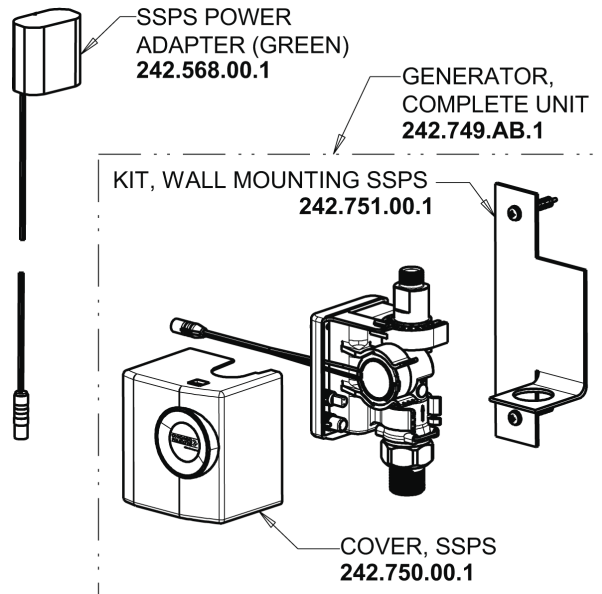


- FLOW CONTROL 1.5 GPM MAX
1020-006KJKABNF 
- CHECK-CARTRIDGE
550-009KJKABNF 
- O-RING #010
243.391.AB.1 

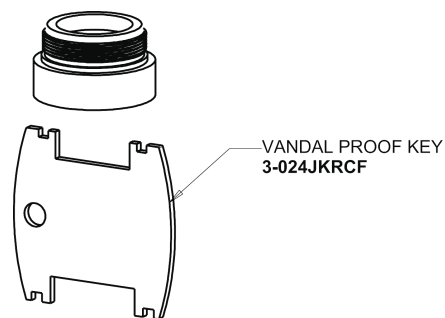
Thermostatic Mixing Valve
131-ABNF



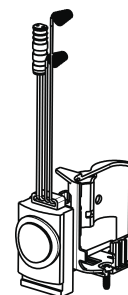
Self Sustaining Power System
SSPS



Vandal Proof Non-Aerating Laminar Stream Solidifier Outlet
242.802.AB.1



Electronic Module
242.574.00.1



For Technical Assistance:

Phone: 800-TEC-TRUE (832-8783)

Email: techsupport.us@chicagofaucets.com

2100 South Clearwater Drive
Des Plaines, IL 60018
Phone: 847-803-5000
chicagofaucets.com