

# Repair Parts

116.977.AB.1

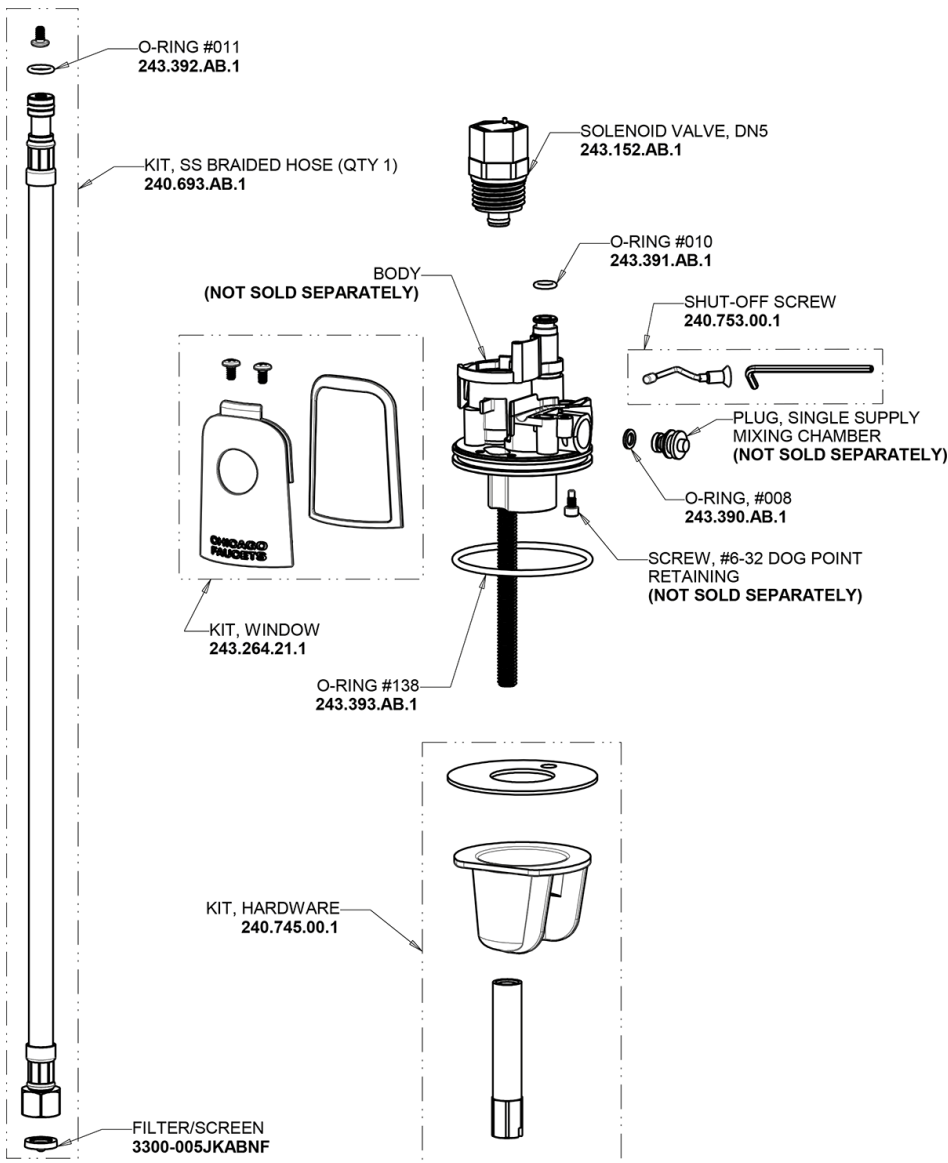
HyTronic Curve Sink Faucet with Dual Beam Infrared Sensor

**CHICAGO  
FAUCETS**

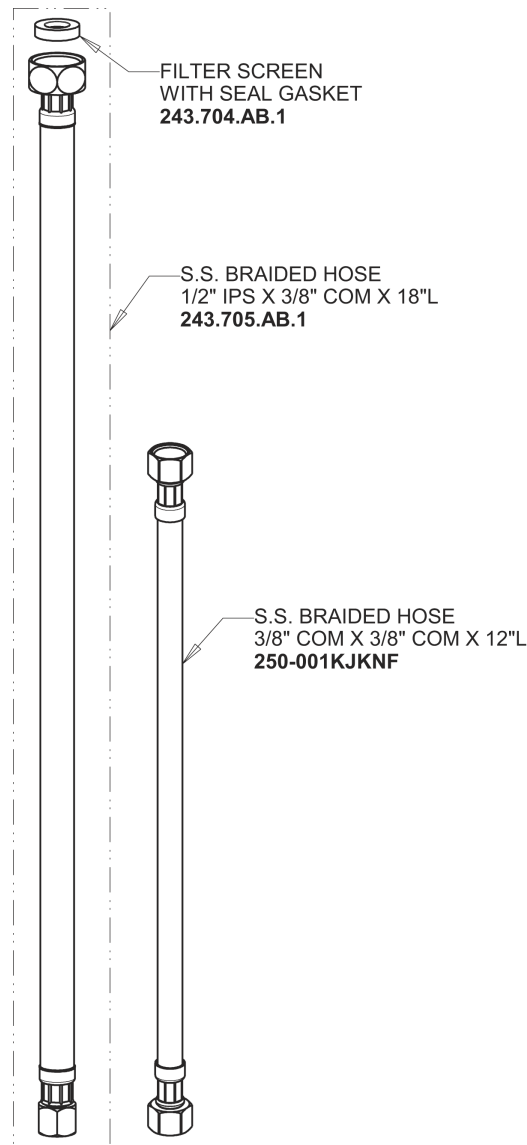
a Geberit company

HyTronic Base, No Mixer

## Base Parts:



Hoses for HyTronic, E-Tronic 40  
243.705.AB.1, 250-001KJKNF



## For Technical Assistance:

Phone: 800-TEC-TRUE (832-8783)

Email: [techsupport.us@chicagofaucets.com](mailto:techsupport.us@chicagofaucets.com)

2100 South Clearwater Drive

Des Plaines, IL 60018

Phone: 847-803-5000

[chicagofaucets.com](http://chicagofaucets.com)

# Repair Parts

116.977.AB.1

HyTronic Curve Sink Faucet with Dual Beam Infrared Sensor

**CHICAGO  
FAUCETS** 

a Geberit company

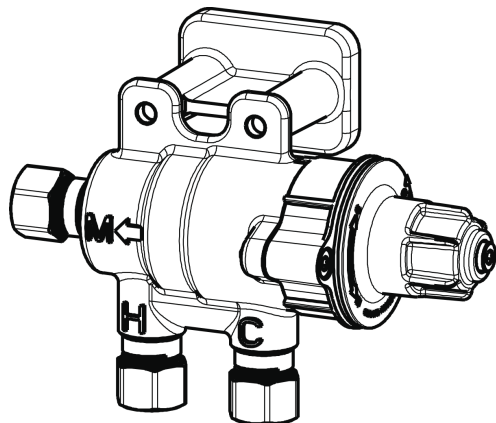
HyTronic Curve Spout  
242.753.AB.1



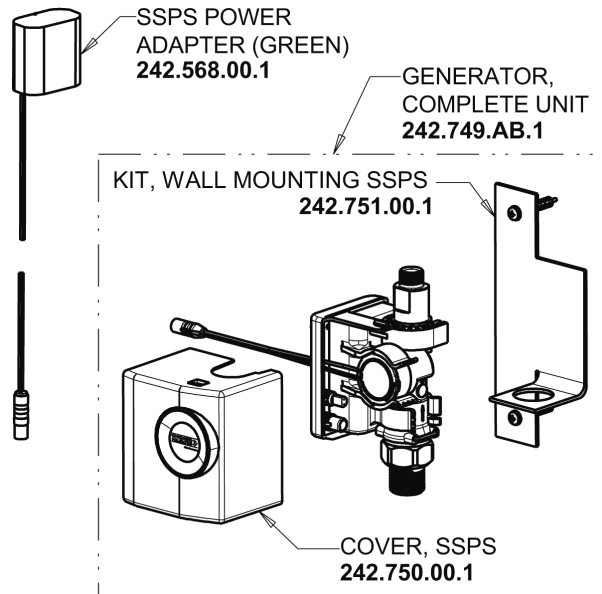
CHECK-CARTRIDGE  
550-009KJKABNF

O-RING #010  
243.391.AB.1

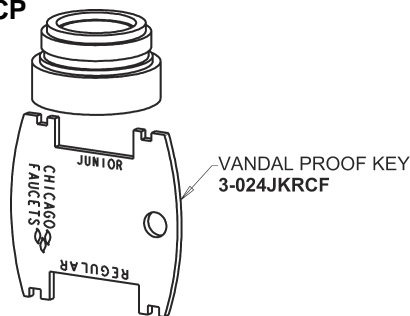
Thermostatic Mixing Valve  
131-ABNF



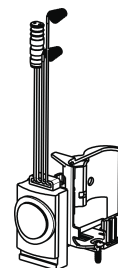
Self Sustaining Power System  
SSPS



0.5 GPM (1.9 L/min) Vandal Proof Econo-Flo Non-Aerating  
Spray  
E2805JKABCP



Electronic Module  
242.574.00.1



## For Technical Assistance:

Phone: 800-TEC-TRUE (832-8783)

Email: [techsupport.us@chicagofaucets.com](mailto:techsupport.us@chicagofaucets.com)

2100 South Clearwater Drive

Des Plaines, IL 60018

Phone: 847-803-5000

[chicagofaucets.com](http://chicagofaucets.com)