

Repair Parts

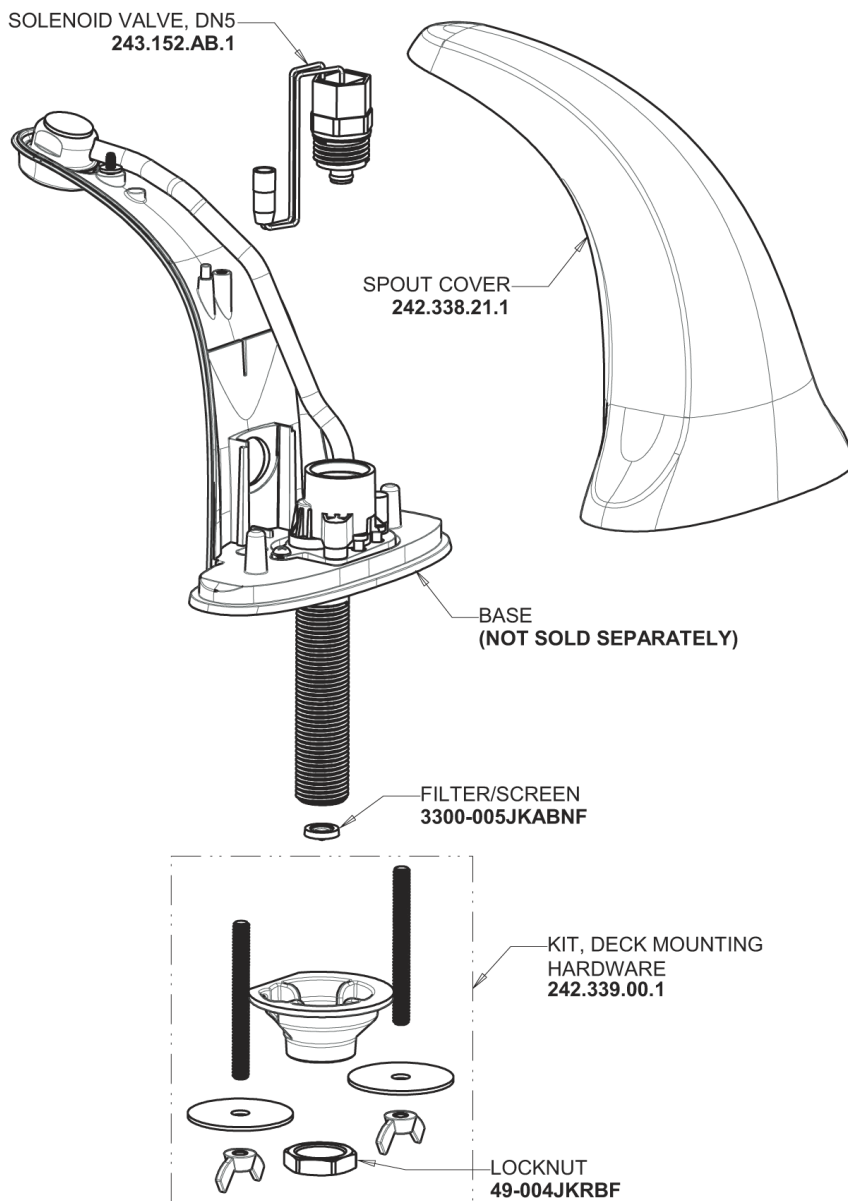
116.956.AB.1

E-Tronic® 40 Traditional Sink Faucet with Dual Beam Infrared Sensor

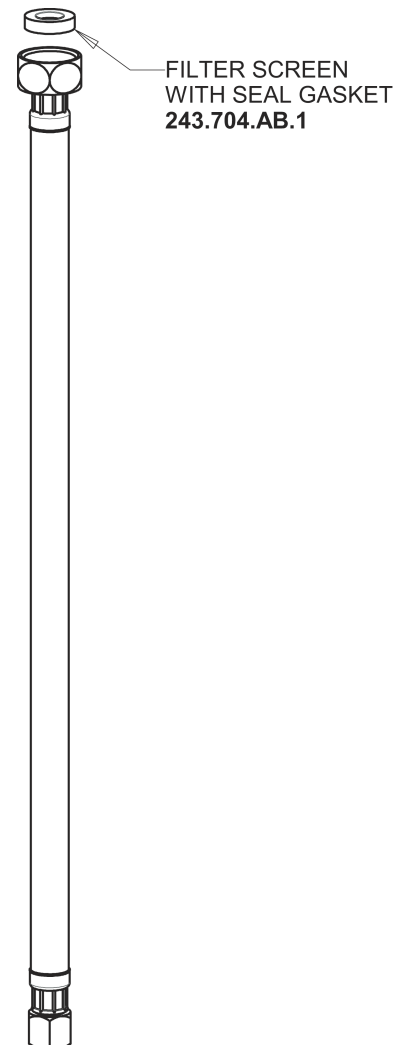
**CHICAGO
FAUCETS**

a Geberit company

E-Tronic 40 Base Base Parts:



Hose, 1/2" IPS x 3/8" COM x 18" L
243.705.AB.1



For Technical Assistance:

Phone: 800-TEC-TRUE (832-8783)

Email: techsupport.us@chicagofaucets.com

2100 South Clearwater Drive

Des Plaines, IL 60018

Phone: 847-803-5000

chicagofaucets.com

Repair Parts

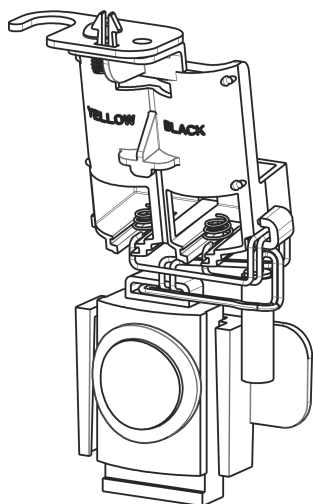
116.956.AB.1

E-Tronic® 40 Traditional Sink Faucet with Dual Beam Infrared Sensor

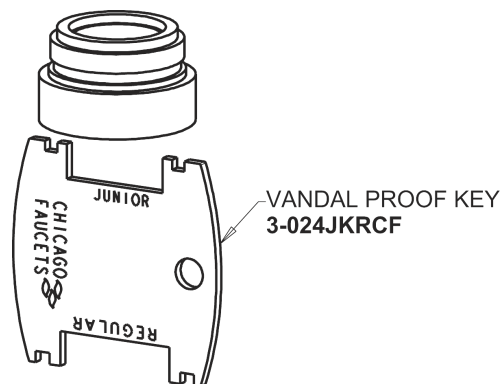
CHICAGO FAUCETS 

a Geberit company

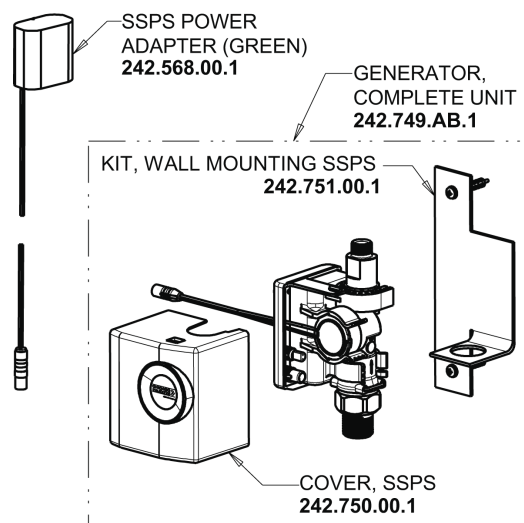
Electronic Module
242.575.00.1



0.5 GPM (1.9 L/min) Vandal Proof Econo-Flo Non-Aerating Spray
E2805JKABCP



Self Sustaining Power System
SSPS



For Technical Assistance:

Phone: 800-TEC-TRUE (832-8783)

Email: techsupport.us@chicagofaucets.com

2100 South Clearwater Drive
Des Plaines, IL 60018
Phone: 847-803-5000
chicagofaucets.com