

Repair Parts

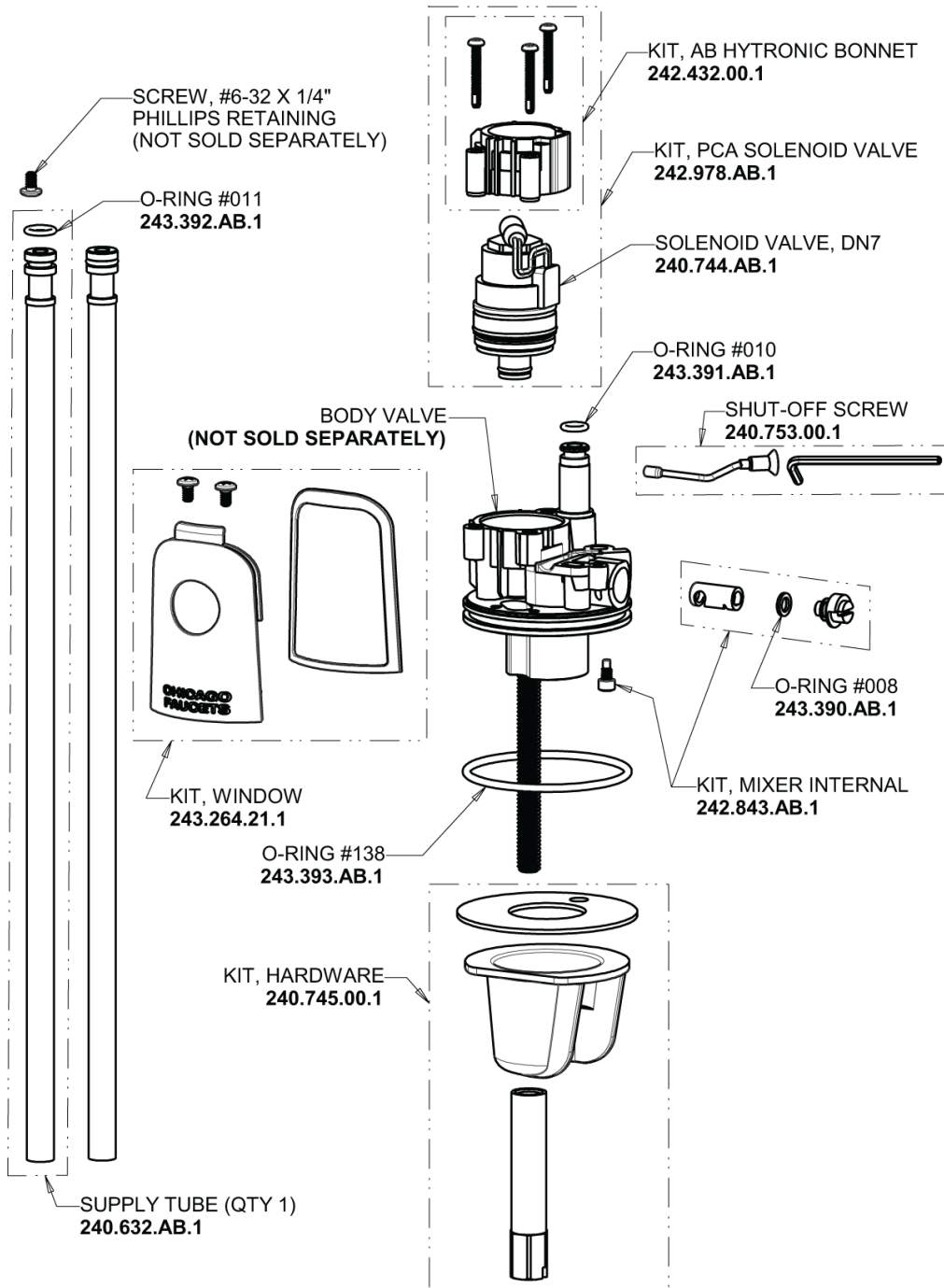
116.888.AB.1

HyTronic Traditional Sink Faucet with Dual Beam Infrared Sensor - Patient Care Application

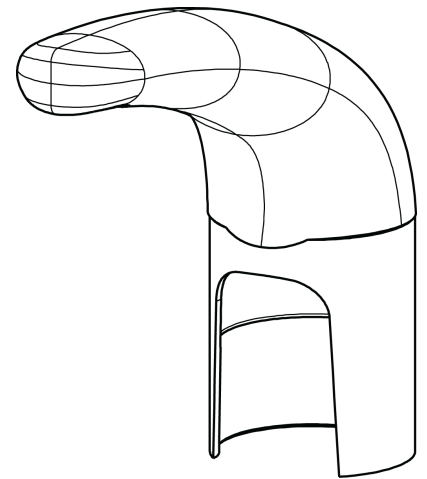
**CHICAGO
FAUCETS**

a Geberit company

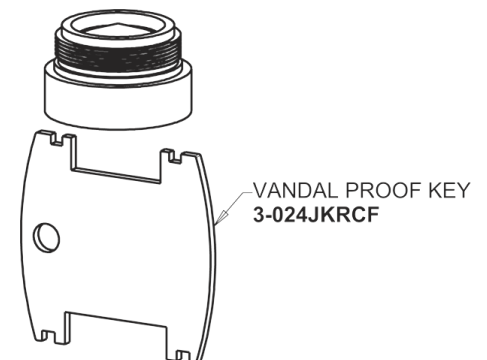
Base Parts:



HyTronic Traditional Spout 244.507.00.1



2.2 GPM (8.3 L/min) Vandal Proof Softflo Aerator E12VPJKABCP



For Technical Assistance:

Phone: 800-TEC-TRUE (832-8783)

Email: techsupport.us@chicagofaucets.com

2100 South Clearwater Drive

Des Plaines, IL 60018

Phone: 847-803-5000

chicagofaucets.com

Repair Parts

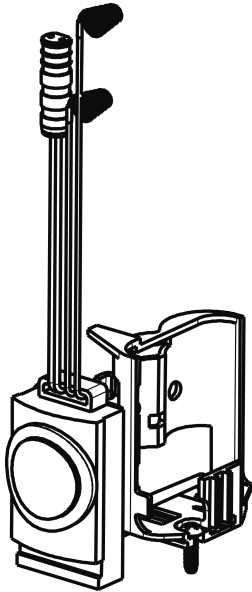
116.888.AB.1

HyTronic Traditional Sink Faucet with Dual Beam Infrared Sensor - Patient Care Application

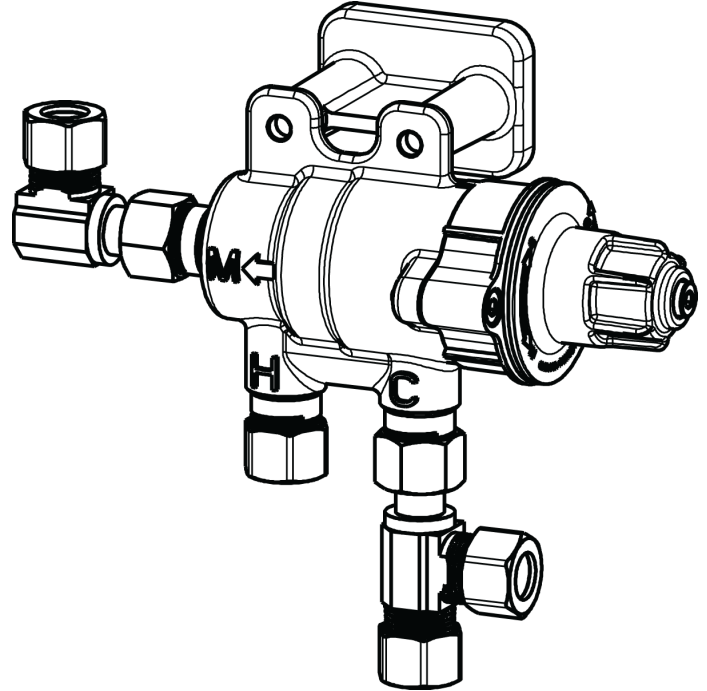
**CHICAGO
FAUCETS** 

a Geberit company

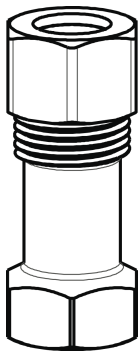
Electronic Module
242.433.00.1



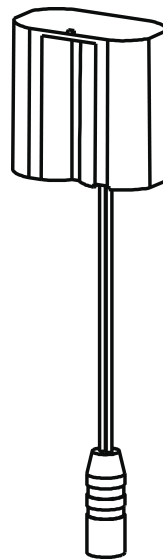
Thermostatic Mixing Valve
131-CABRCF



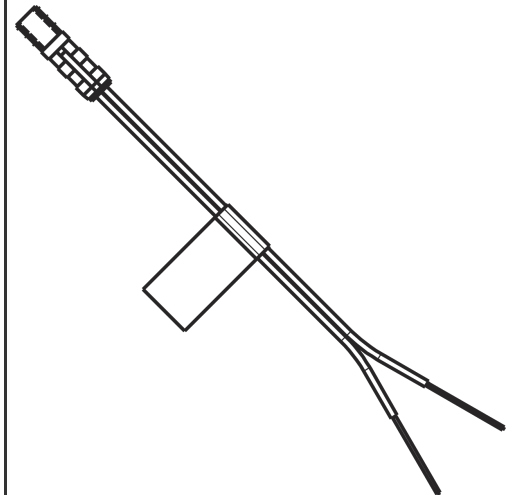
Inline Check Valve
243.315.AB.1



AC Power Adapter
240.747.00.1



Bank Installation Adapter Wire
242.340.00.1



For Technical Assistance:

Phone: 800-TEC-TRUE (832-8783)

Email: techsupport.us@chicagofaucets.com

2100 South Clearwater Drive

Des Plaines, IL 60018

Phone: 847-803-5000

chicagofaucets.com