

# Repair Parts

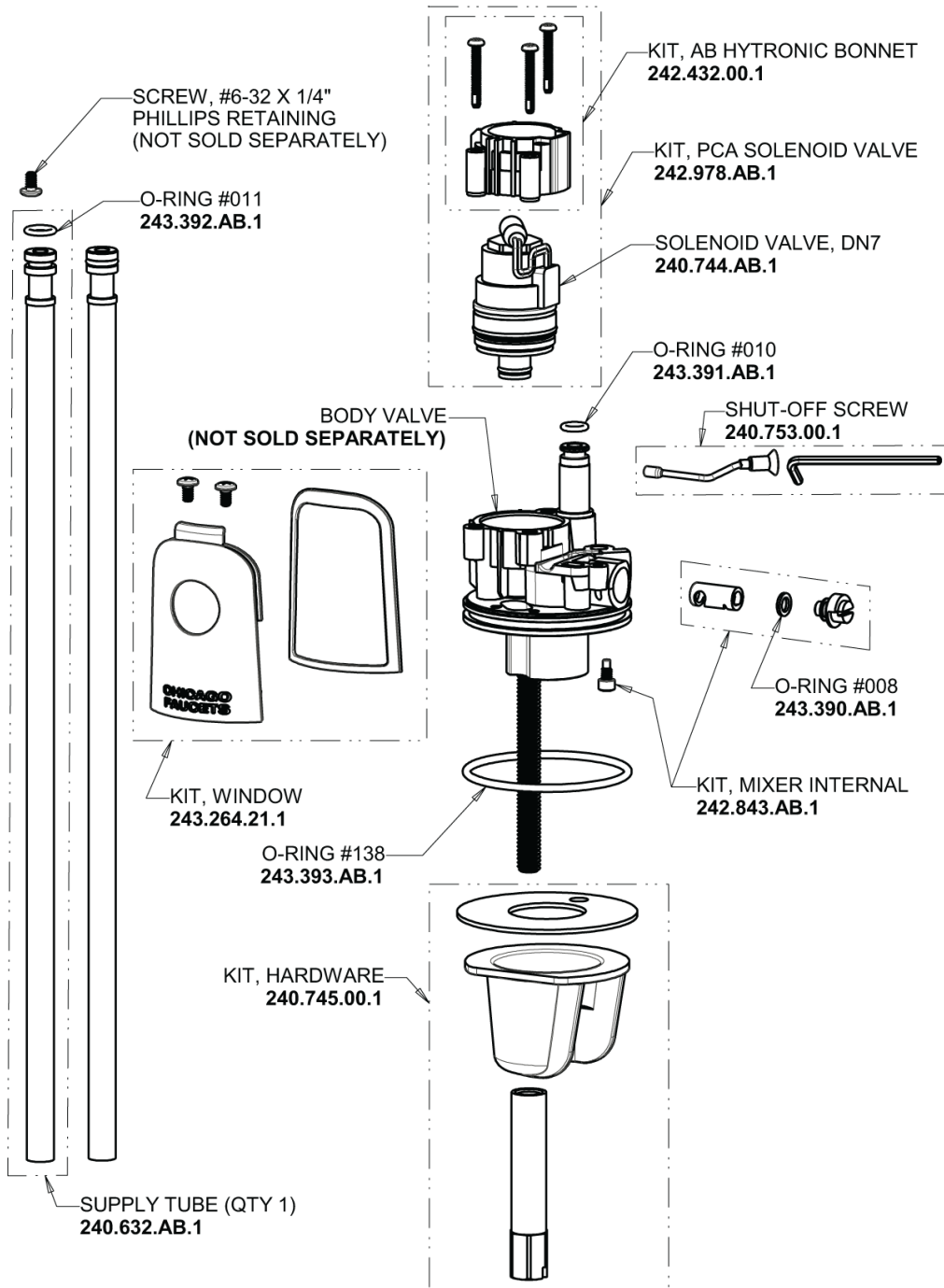
116.884.AB.1

HyTronic Traditional Sink Faucet with Dual Beam Infrared Sensor - Patient Care Application

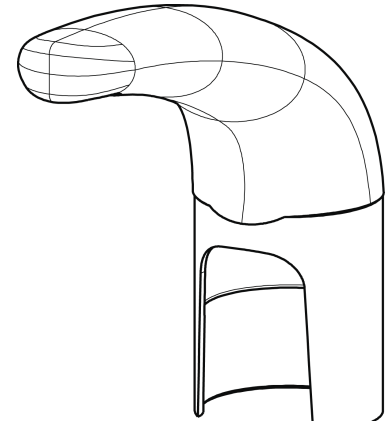
**CHICAGO  
FAUCETS**

a Geberit company

## Base Parts:



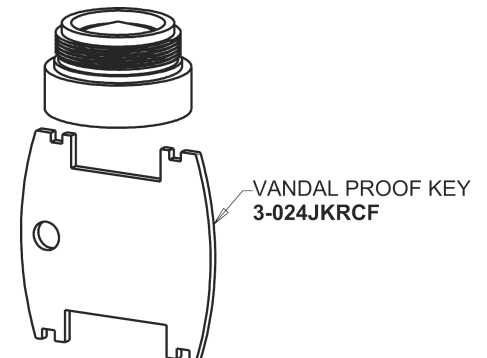
## HyTronic Traditional Spout 240.724.AB.1



CHECK-CARTRIDGE  
550-009JKABNF

O-RING, #010  
243.391.AB.1

## 2.2 GPM (8.3 L/min) Vandal Proof Softflo Aerator E12VPJKABCP



## For Technical Assistance:

Phone: 800-TEC-TRUE (832-8783)

Email: [techsupport.us@chicagofaucets.com](mailto:techsupport.us@chicagofaucets.com)

2100 South Clearwater Drive

Des Plaines, IL 60018

Phone: 847-803-5000

[chicagofaucets.com](http://chicagofaucets.com)

# Repair Parts

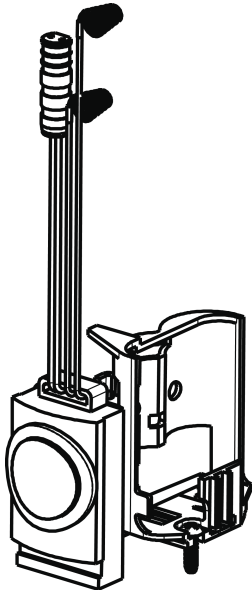
116.884.AB.1

HyTronic Traditional Sink Faucet with Dual Beam Infrared Sensor -  
Patient Care Application

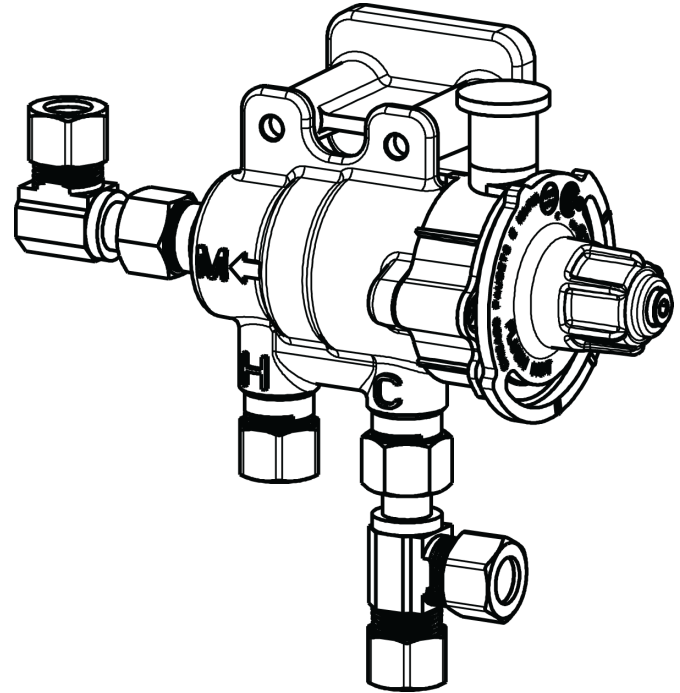
**CHICAGO  
FAUCETS** 

a Geberit company

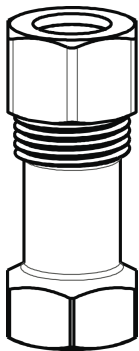
Electronic Module  
242.433.00.1



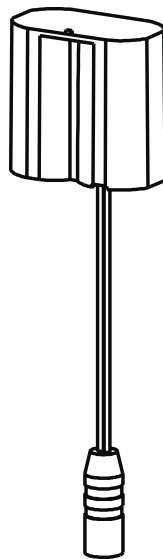
Thermostatic Mixing Valve  
131-CFMABNF



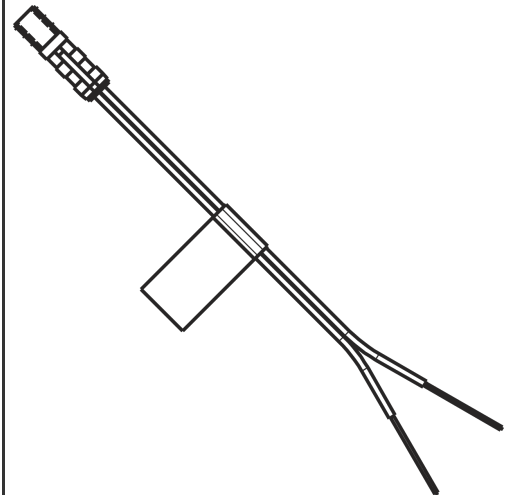
Inline Check Valve  
243.315.AB.1



AC Power Adapter  
240.747.00.1



Bank Installation Adapter Wire  
242.340.00.1



## For Technical Assistance:

Phone: 800-TEC-TRUE (832-8783)

Email: [techsupport.us@chicagofaucets.com](mailto:techsupport.us@chicagofaucets.com)

2100 South Clearwater Drive

Des Plaines, IL 60018

Phone: 847-803-5000

[chicagofaucets.com](http://chicagofaucets.com)