

# Repair Parts

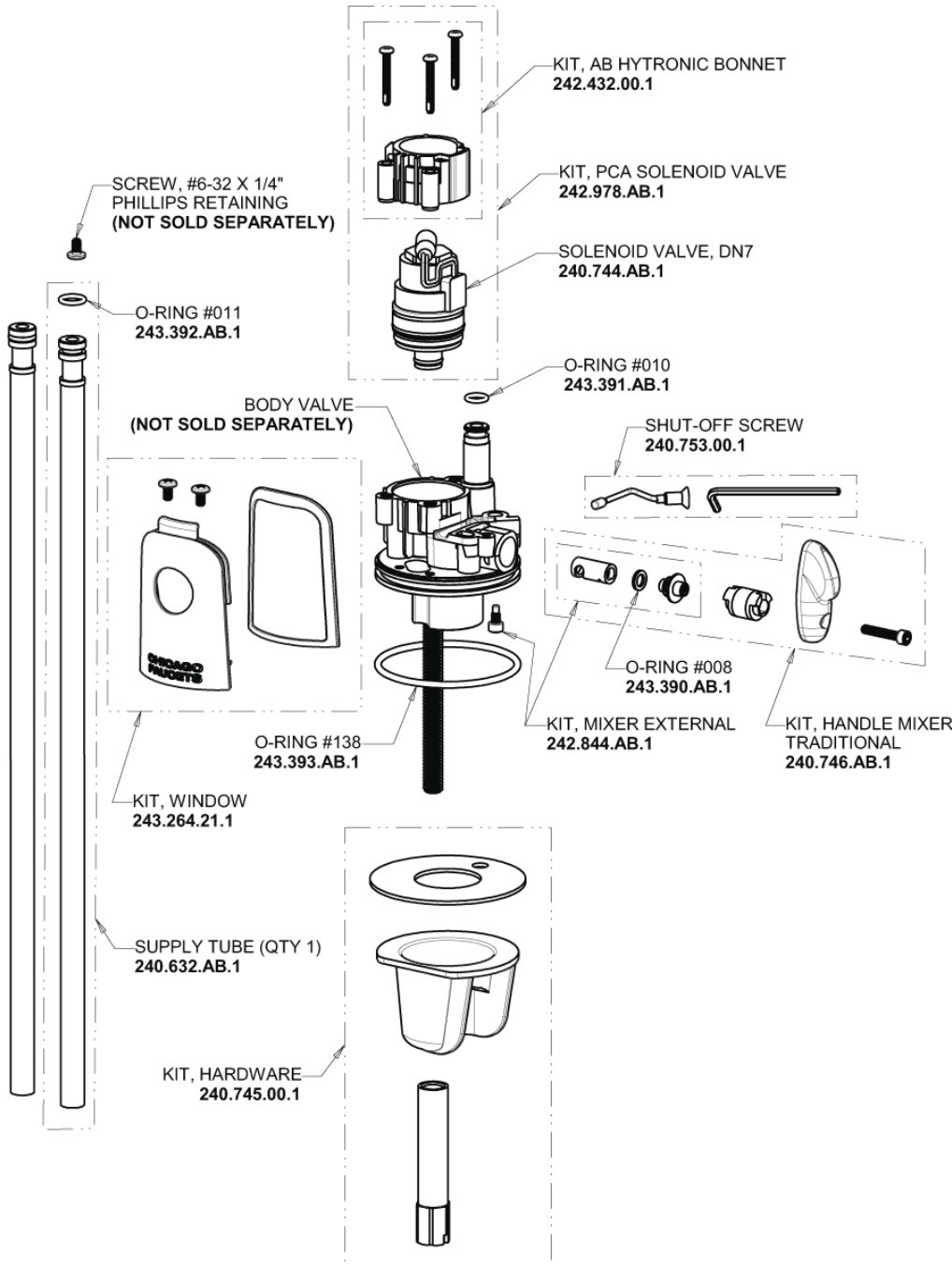
116.874.AB.1

HyTronic Traditional Sink Faucet with Dual Beam Infrared Sensor - Patient Care Application

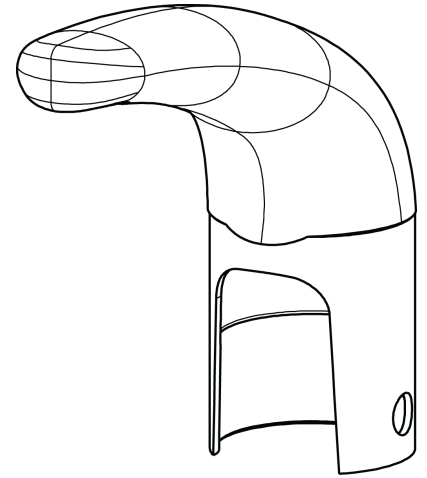
# CHICAGO FAUCETS®

Geberit Group

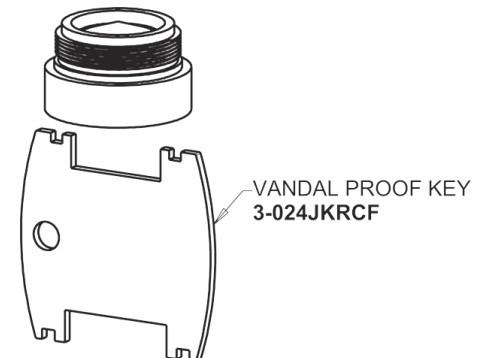
## Base Parts:



HyTronic Traditional Spout  
244.487.00.1



2.2 GPM (8.3 L/min) Vandal Proof  
Softflo Aerator  
E12VPJKABCP



## For Technical Assistance:

Phone: 800-TEC-TRUE (832-8783)

Email: [techsupport.us@chicagofaucets.com](mailto:techsupport.us@chicagofaucets.com)

2100 South Clearwater Drive

Des Plaines, IL 60018

Phone: 847-803-5000

[chicagofaucets.com](http://chicagofaucets.com)

# Repair Parts

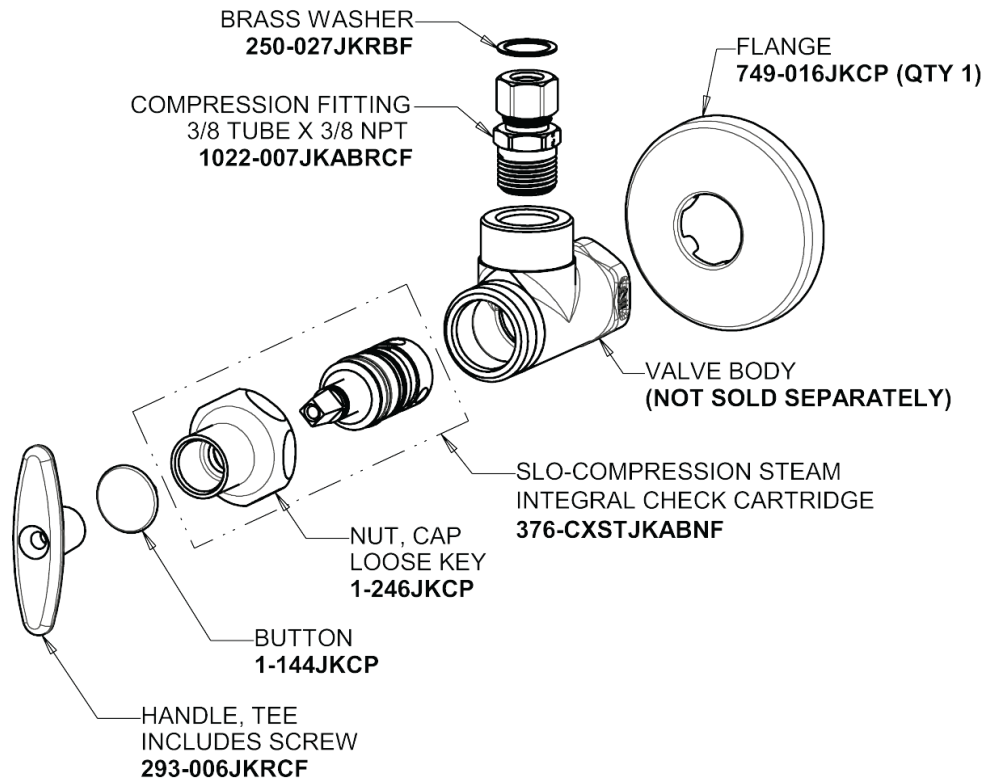
116.874.AB.1

HyTronic Traditional Sink Faucet with Dual Beam Infrared Sensor - Patient Care Application

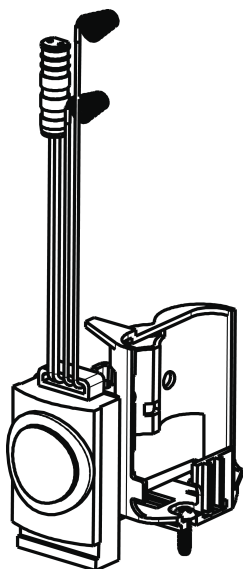
# CHICAGO FAUCETS®

Geberit Group

Supply stop with Integral Check Valve  
**1013-CSTABCP**



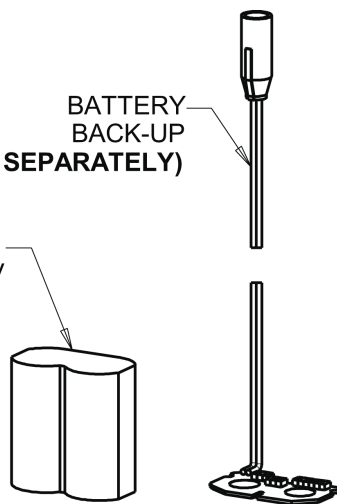
Electronic Module  
**242.433.00.1**



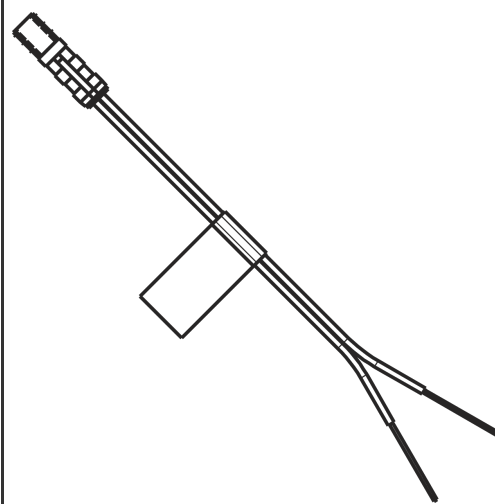
Emergency Backup Power System  
**243.290.00.1**

BATTERY  
BACK-UP  
(NOT SOLD SEPARATELY)

BATTERY  
CR-P2 6V  
**242.560.00.1**



Bank Installation Adapter Wire  
**242.340.00.1**



## For Technical Assistance:

Phone: 800-TEC-TRUE (832-8783)

Email: [techsupport.us@chicagofaucets.com](mailto:techsupport.us@chicagofaucets.com)

2100 South Clearwater Drive  
Des Plaines, IL 60018  
Phone: 847-803-5000  
[chicagofaucets.com](http://chicagofaucets.com)

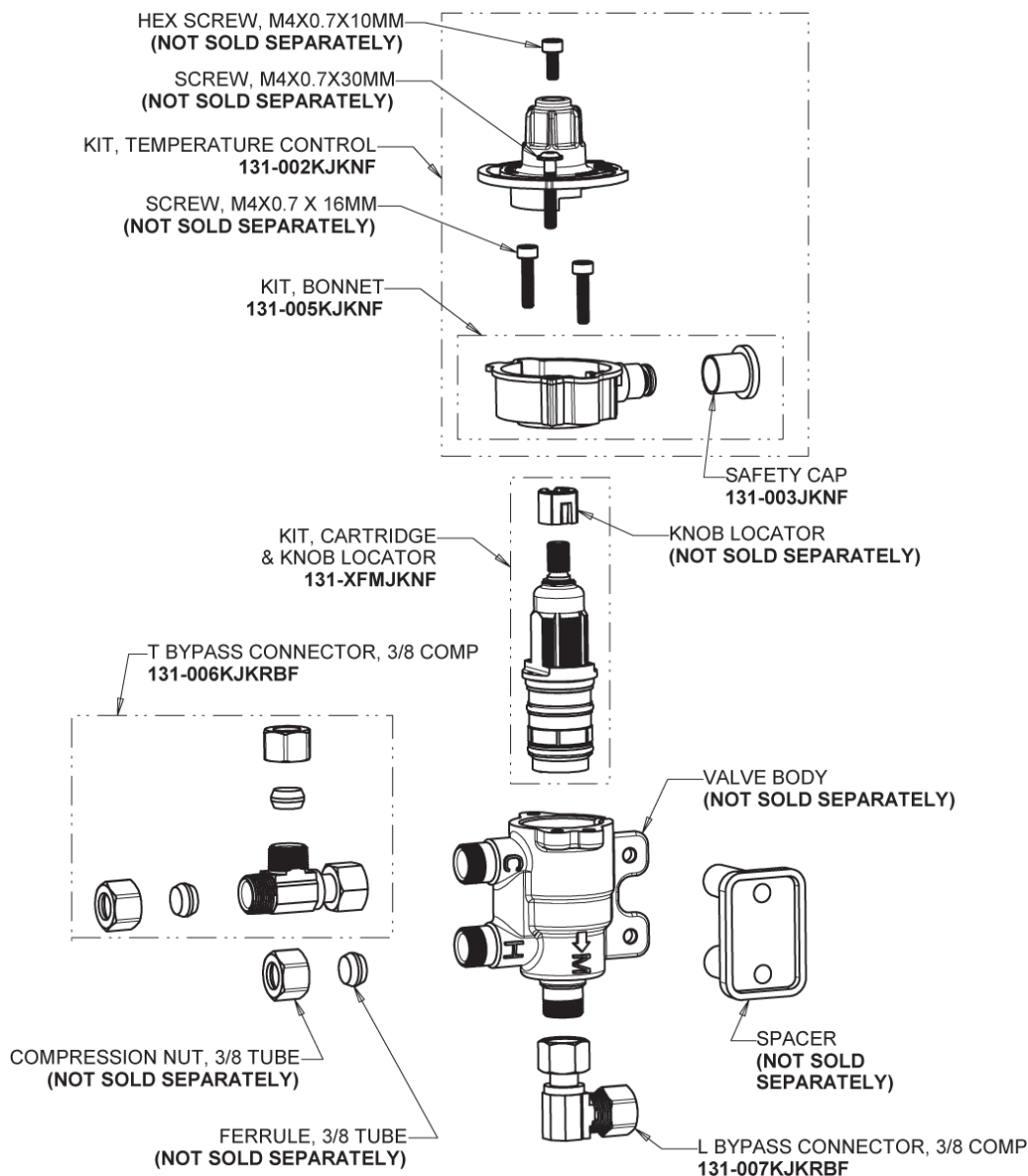
# Repair Parts

116.874.AB.1

HyTronic Traditional Sink Faucet with Dual Beam Infrared Sensor - Patient Care Application

**CHICAGO  
FAUCETS®**  
Geberit Group

Thermostatic Mixing Valve  
**131-LCFMJKABNF**



## For Technical Assistance:

Phone: 800-TEC-TRUE (832-8783)

Email: [techsupport.us@chicagofaucets.com](mailto:techsupport.us@chicagofaucets.com)

2100 South Clearwater Drive

Des Plaines, IL 60018

Phone: 847-803-5000

[chicagofaucets.com](http://chicagofaucets.com)