

# Repair Parts

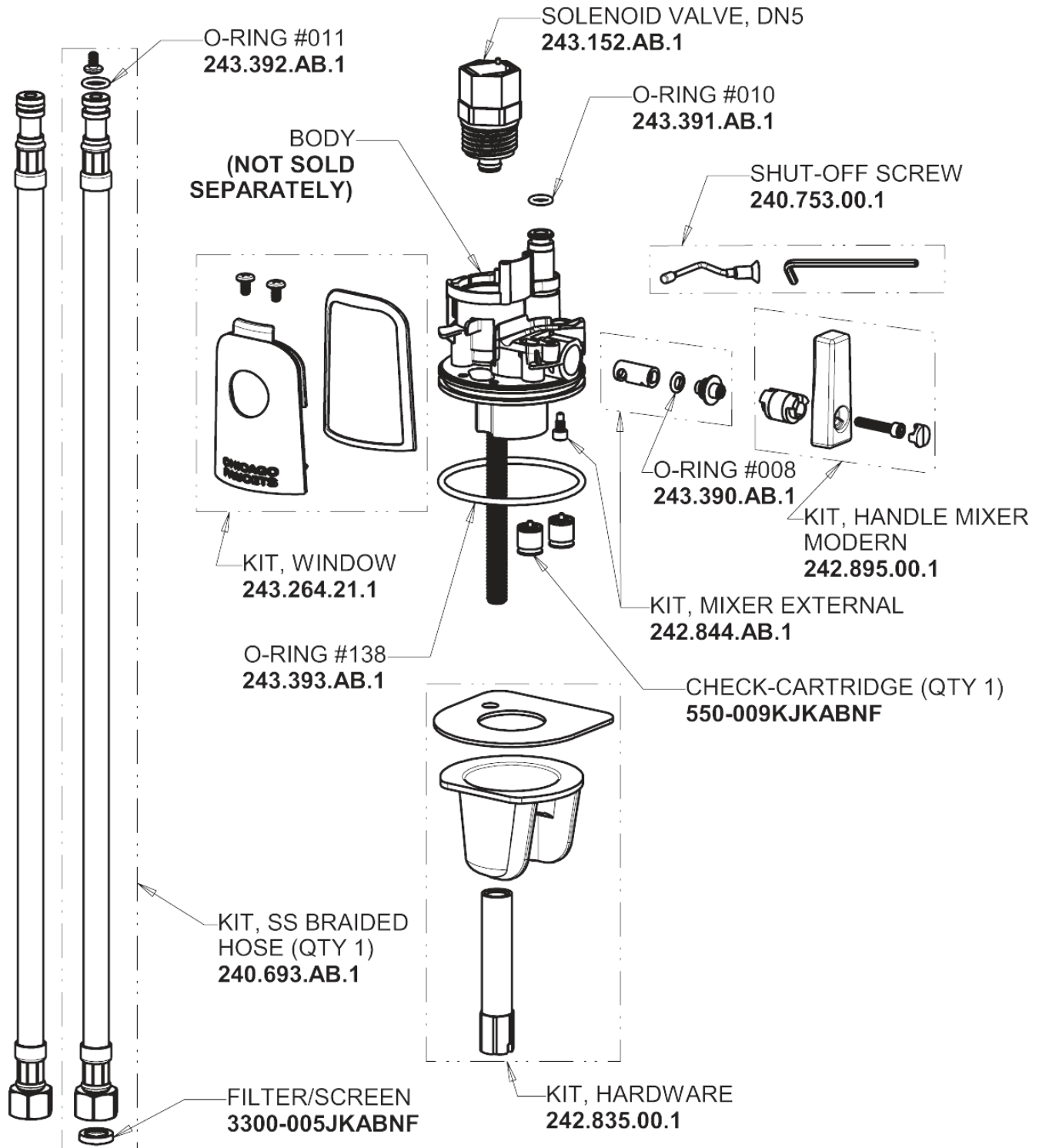
116.870.AB.1

HyTronic Edge Lavatory Sink Faucet with Dual Beam Infrared Sensor

**CHICAGO  
FAUCETS**

a Geberit company

## Base Parts:



## For Technical Assistance:

Phone: 800-TEC-TRUE (832-8783)

Email: [techsupport.us@chicagofaucets.com](mailto:techsupport.us@chicagofaucets.com)

2100 South Clearwater Drive

Des Plaines, IL 60018

Phone: 847-803-5000

[chicagofaucets.com](http://chicagofaucets.com)

# Repair Parts

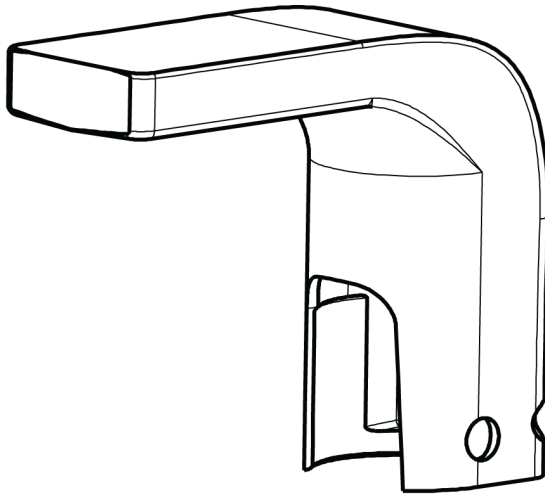
116.870.AB.1

HyTronic Edge Lavatory Sink Faucet with Dual Beam Infrared Sensor

**CHICAGO  
FAUCETS** 

a Geberit company

HyTronic Edge Spout  
242.799.AB.1

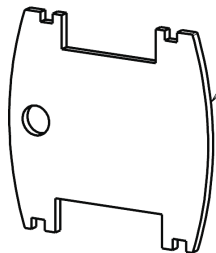


FLOW CONTROL 1.5 GPM MAX  
1020-006JKABNF

CHECK-CARTRIDGE  
550-009KJKABNF

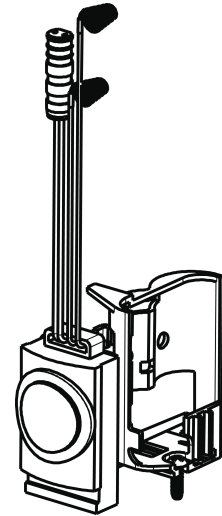
O-RING, #010  
243.391.AB.1

Vandal Proof Non-Aerating Laminar Stream Solidifier Outlet  
242.757.AB.1

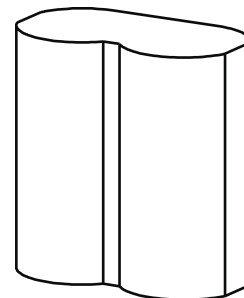


KEY, VANDAL PROOF  
3-024JKRCF

Electronic Module  
242.433.00.1



CR-P2 6V Lithium Battery  
242.560.00.1



## For Technical Assistance:

Phone: 800-TEC-TRUE (832-8783)

Email: [techsupport.us@chicagofaucets.com](mailto:techsupport.us@chicagofaucets.com)

2100 South Clearwater Drive

Des Plaines, IL 60018

Phone: 847-803-5000

[chicagofaucets.com](http://chicagofaucets.com)