

Repair Parts

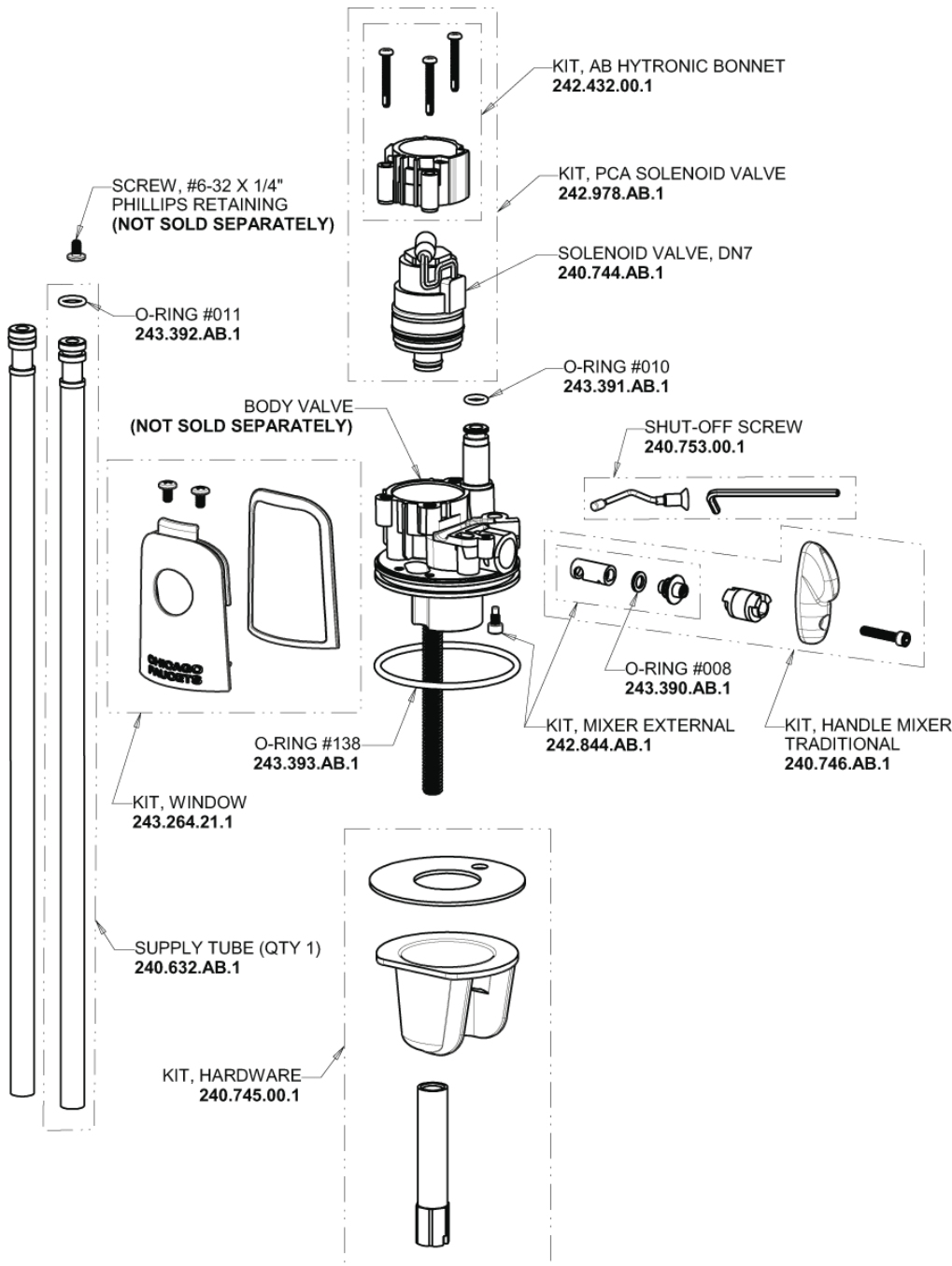
116.865.AB.1

HyTronic Traditional Sink Faucet with Dual Beam Infrared Sensor - Patient Care Application

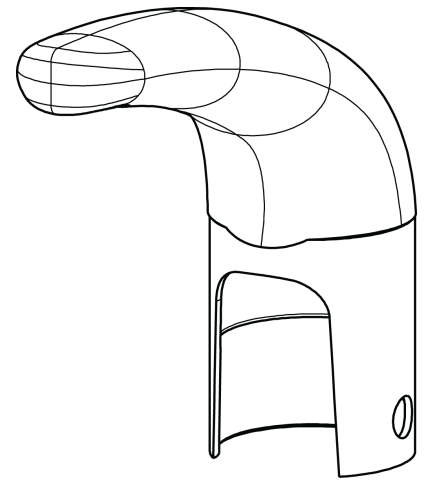
CHICAGO FAUCETS®

Geberit Group

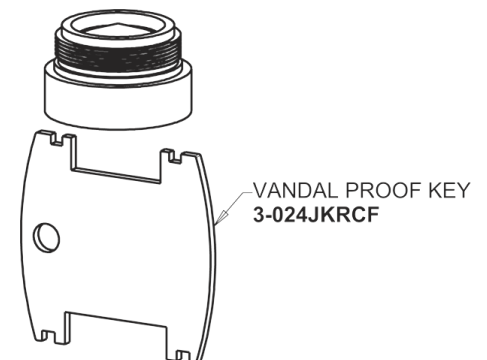
Base Parts:



HyTronic Traditional Spout
244.487.00.1



2.2 GPM (8.3 L/min) Vandal Proof
Softflo Aerator
E12VPJKABCP



For Technical Assistance:

Phone: 800-TEC-TRUE (832-8783)

Email: techsupport.us@chicagofaucets.com

2100 South Clearwater Drive

Des Plaines, IL 60018

Phone: 847-803-5000

chicagofaucets.com

Repair Parts

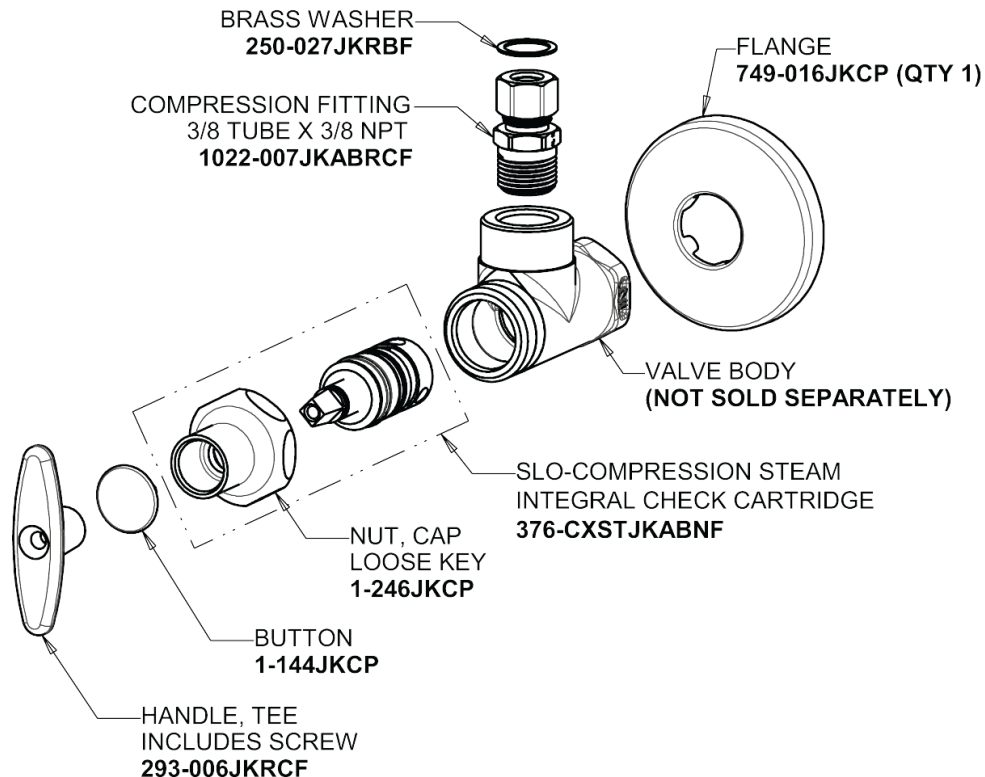
116.865.AB.1

HyTronic Traditional Sink Faucet with Dual Beam Infrared Sensor - Patient Care Application

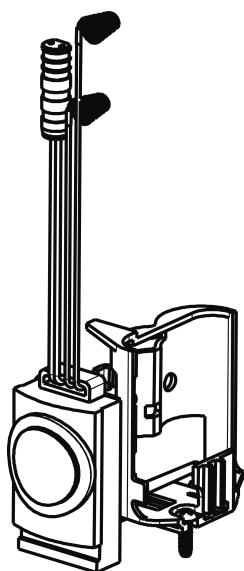
CHICAGO FAUCETS®

Geberit Group

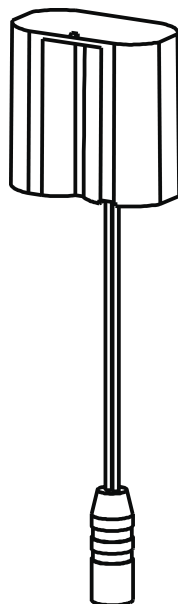
Supply stop with Integral Check Valve
1013-CSTABCP



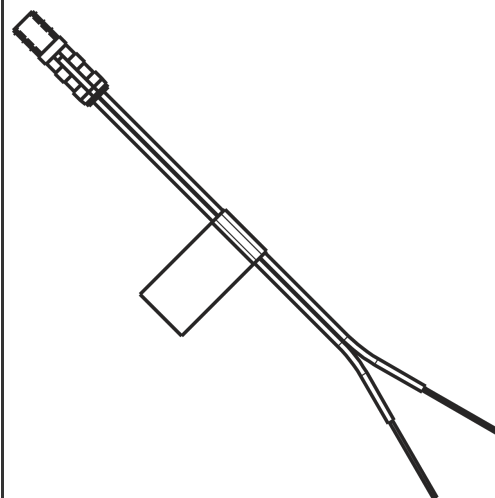
Electronic Module
242.433.00.1



AC Power Adapter
240.747.00.1



Bank Installation Adapter Wire
242.340.00.1



For Technical Assistance:

Phone: 800-TEC-TRUE (832-8783)

Email: techsupport.us@chicagofaucets.com

2100 South Clearwater Drive
Des Plaines, IL 60018
Phone: 847-803-5000
chicagofaucets.com

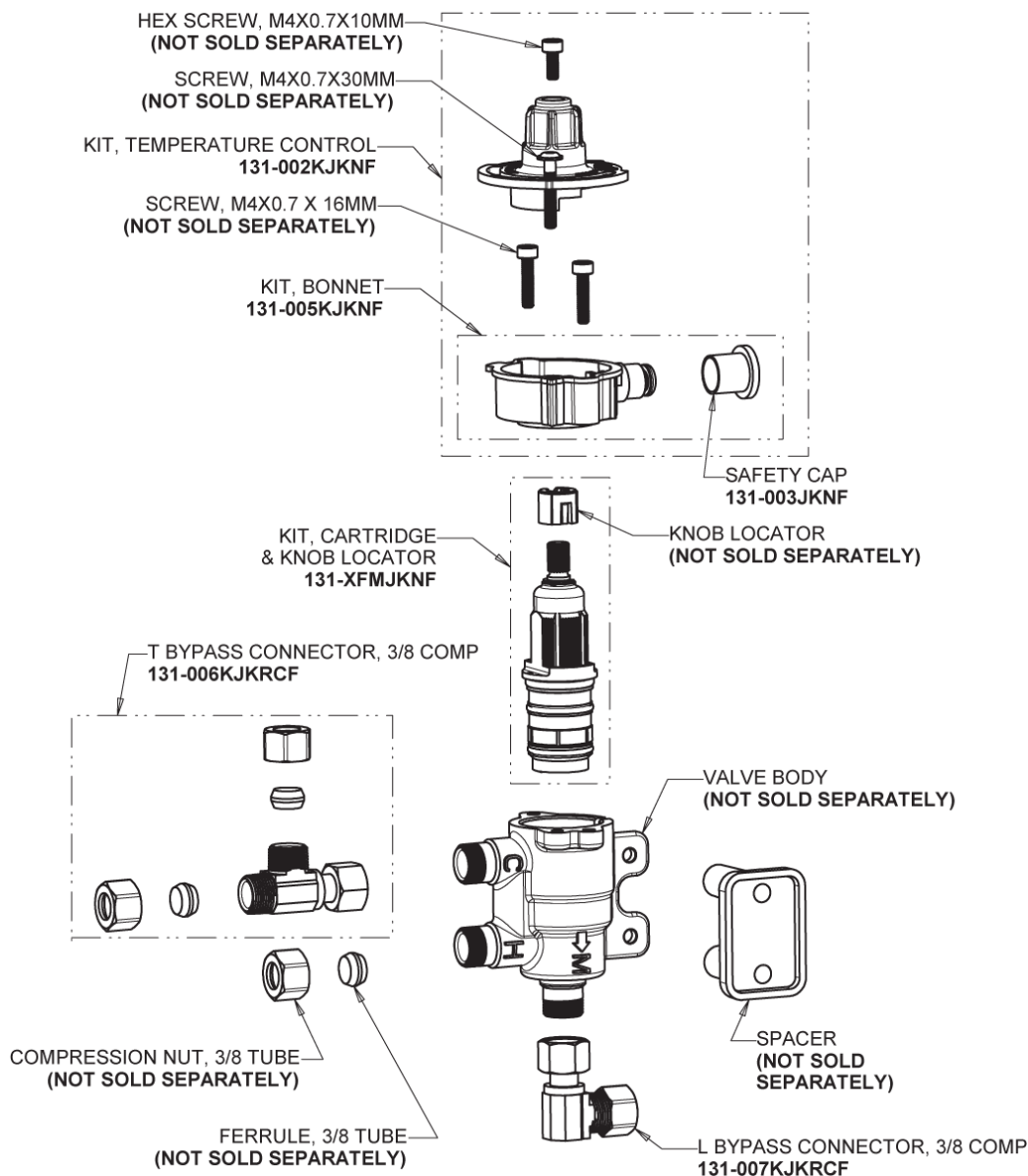
Repair Parts

116.865.AB.1

HyTronic Traditional Sink Faucet with Dual Beam Infrared Sensor - Patient Care Application

**CHICAGO
FAUCETS®**
Geberit Group

Thermostatic Mixing Valve
131-LCFMJKABRCF



For Technical Assistance:

Phone: 800-TEC-TRUE (832-8783)

Email: techsupport.us@chicagofaucets.com

2100 South Clearwater Drive

Des Plaines, IL 60018

Phone: 847-803-5000

chicagofaucets.com