

Repair Parts

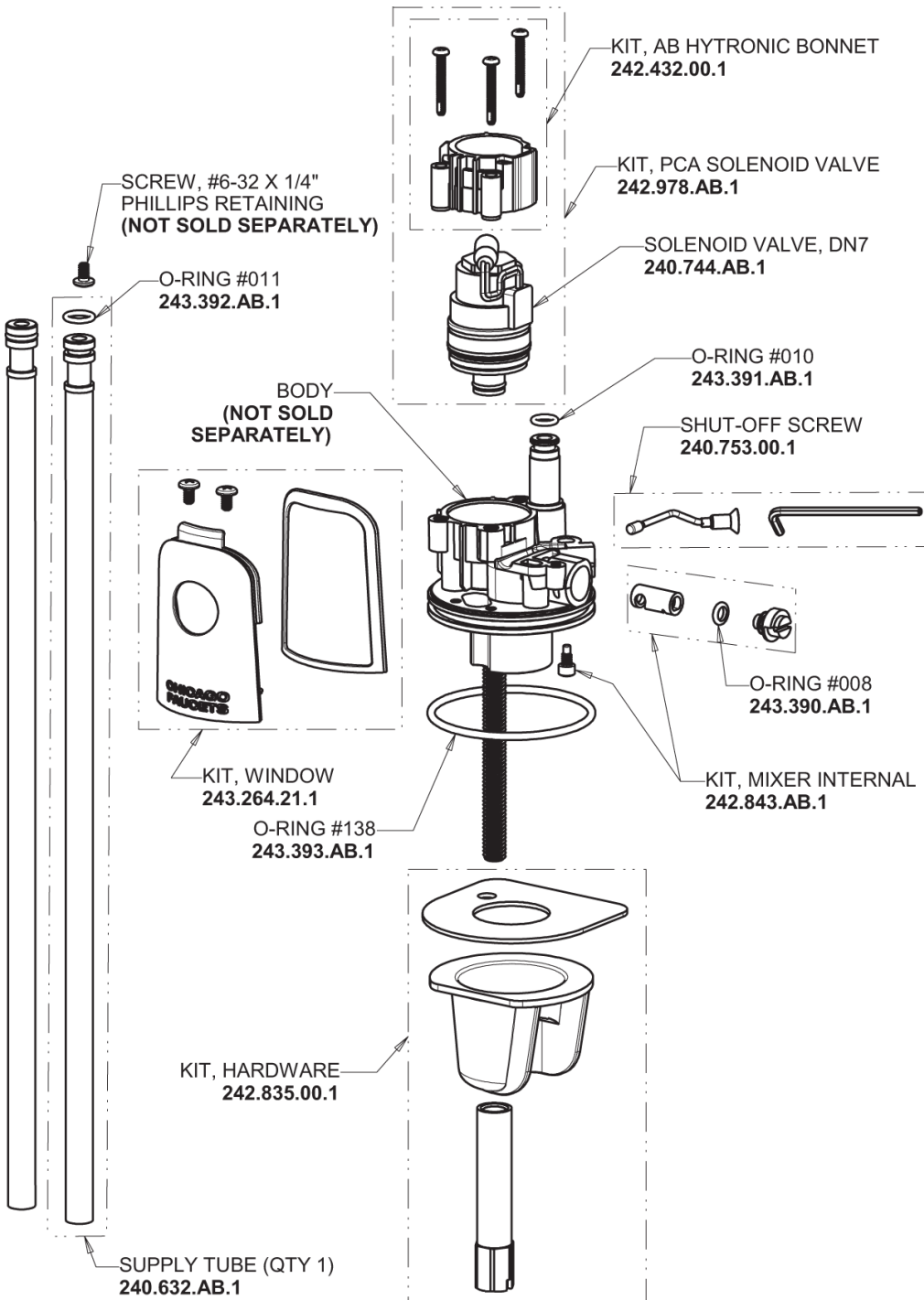
116.848.AB.1

HyTronic Edge Sink Faucet with Dual Beam Infrared Sensor - Patient Care Application

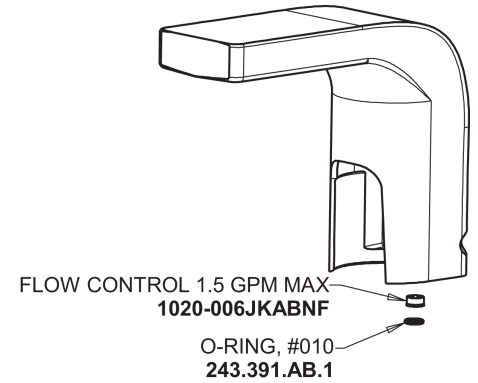
CHICAGO FAUCETS®

Geberit Group

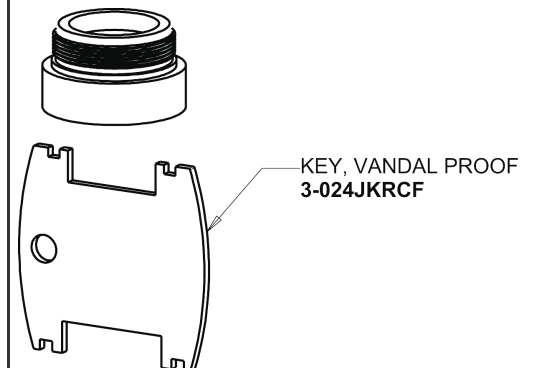
Patient Care HyTronic Base, Edge Spout, Internal Mix Base Parts:



HyTronic Edge Spout 244.486.00.1



Vandal Proof Non-Aerating Laminar Stream Solidifier Outlet 242.757.AB.1



For Technical Assistance:

Phone: 800-TEC-TRUE (832-8783)

Email: techsupport.us@chicagofaucets.com

2100 South Clearwater Drive

Des Plaines, IL 60018

Phone: 847-803-5000

chicagofaucets.com

Repair Parts

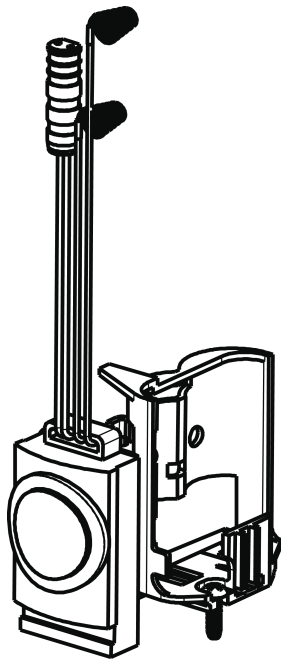
116.848.AB.1

HyTronic Edge Sink Faucet with Dual Beam Infrared Sensor - Patient Care Application

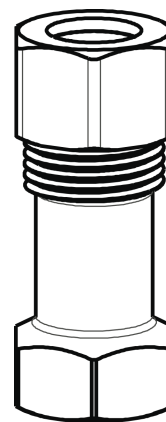
CHICAGO FAUCETS®

Geberit Group

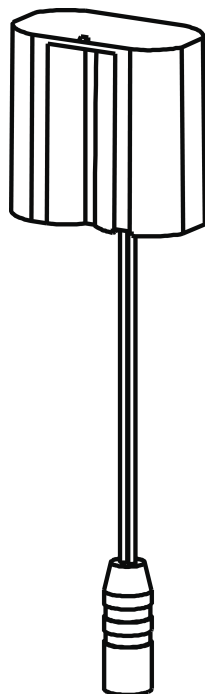
Electronic Module
242.433.00.1



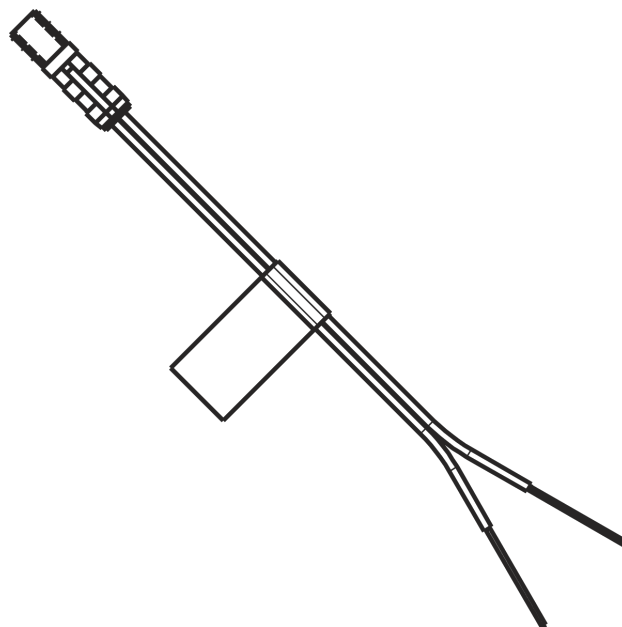
Inline Check Valve
243.315.AB.1



AC Power Adapter
240.747.00.1



Bank Installation Adapter Wire
242.340.00.1



For Technical Assistance:

Phone: 800-TEC-TRUE (832-8783)

Email: techsupport.us@chicagofaucets.com

2100 South Clearwater Drive

Des Plaines, IL 60018

Phone: 847-803-5000

chicagofaucets.com