

Repair Parts

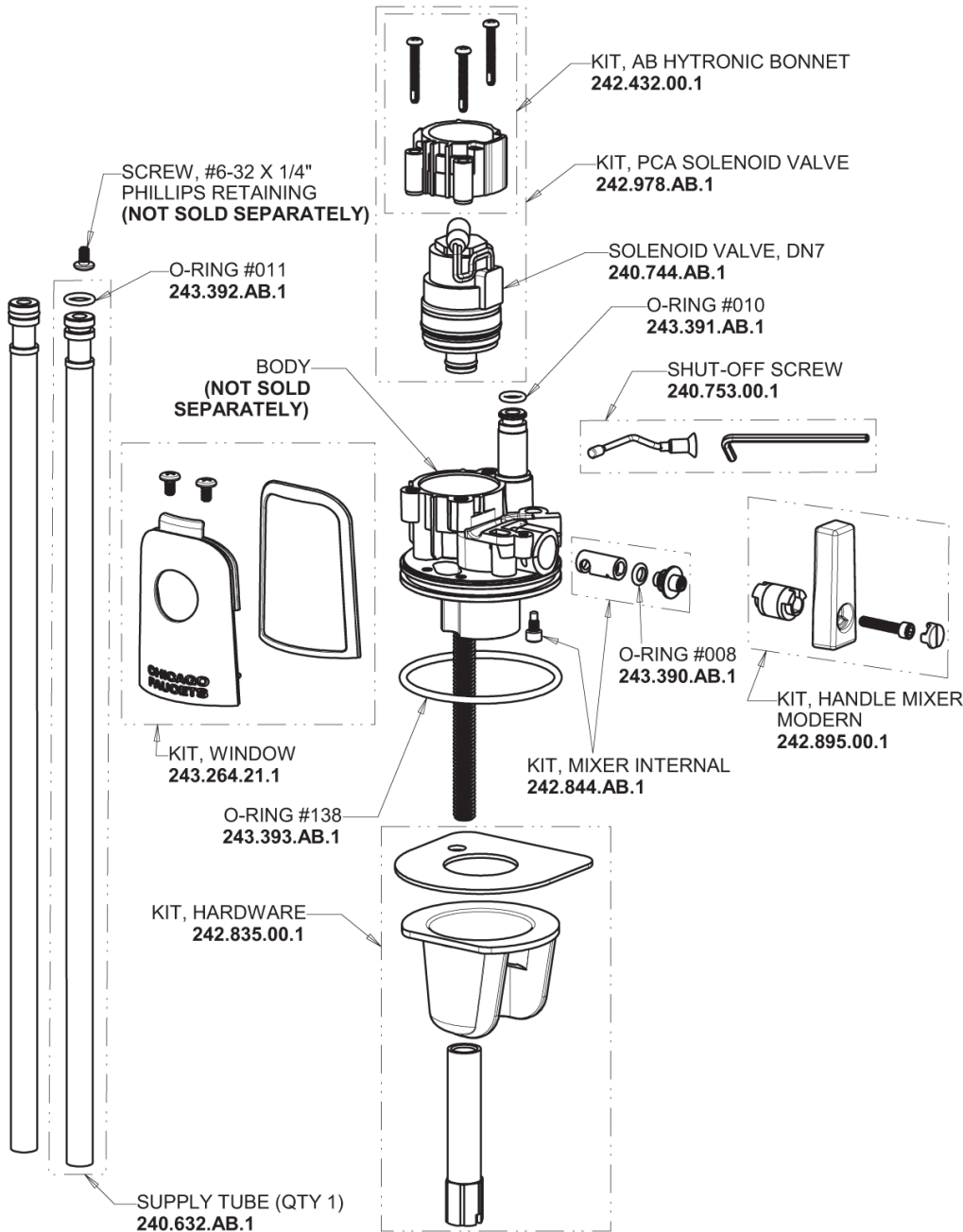
116.846.AB.1

HyTronic Edge Sink Faucet with Dual Beam Infrared Sensor - Patient Care Application

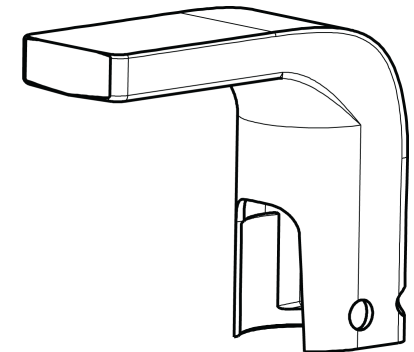
**CHICAGO
FAUCETS**

a Geberit company

Patient Care HyTronic Base, Edge Spout, User Temp Control Base Parts:



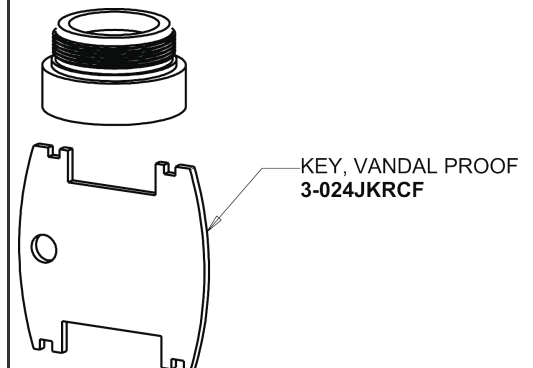
HyTronic Edge Spout 242.797.AB.1



CHECK-CARTRIDGE
550-009KJKABNF

O-RING, #010
243.391.AB.1

Vandal Proof Non-Aerating Laminar Stream Solidifier Outlet 242.757.AB.1



KEY, VANDAL PROOF
3-024JKRCF

For Technical Assistance:

Phone: 800-TEC-TRUE (832-8783)

Email: techsupport.us@chicagofaucets.com

2100 South Clearwater Drive

Des Plaines, IL 60018

Phone: 847-803-5000

chicagofaucets.com

Repair Parts

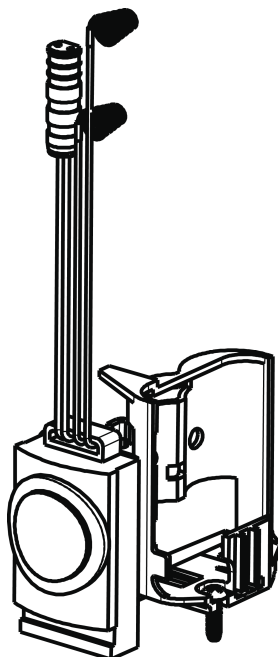
116.846.AB.1

HyTronic Edge Sink Faucet with Dual Beam Infrared Sensor - Patient Care Application

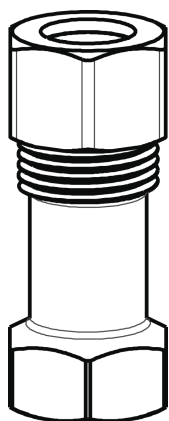
**CHICAGO
FAUCETS** 

a Geberit company

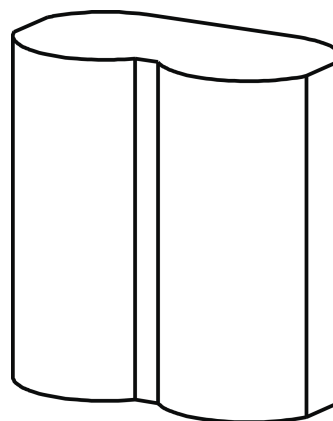
Electronic Module
242.433.00.1



Inline Check Valve
243.315.AB.1



CR-P2 6V Lithium Battery
242.560.00.1



For Technical Assistance:

Phone: 800-TEC-TRUE (832-8783)

Email: techsupport.us@chicagofaucets.com

2100 South Clearwater Drive

Des Plaines, IL 60018

Phone: 847-803-5000

chicagofaucets.com