

Repair Parts

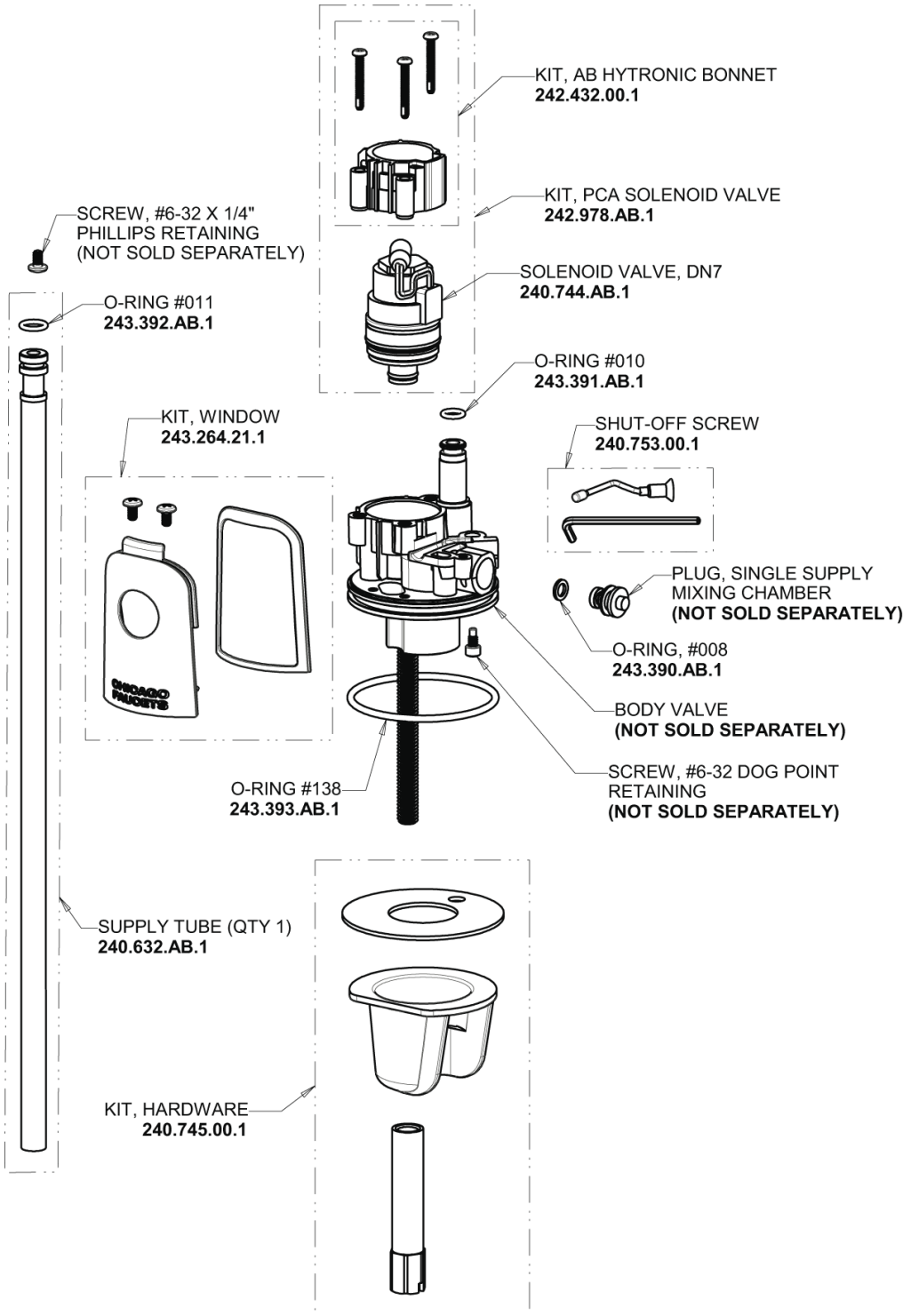
116.837.AB.1

OSHPD Mixer Sink Faucet with Dual Beam Infrared Sensor - Patient Care Application

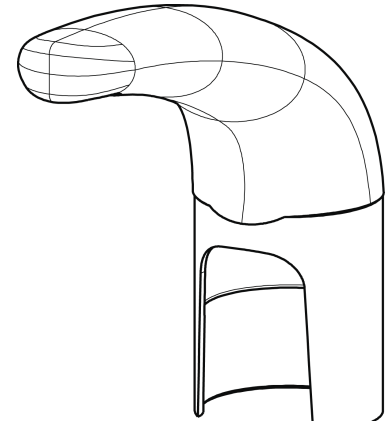
**CHICAGO
FAUCETS**

a Geberit company

Base Parts:



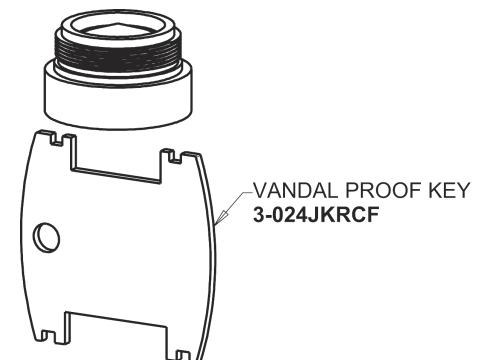
HyTronic Traditional Spout 240.724.AB.1



CHECK-CARTRIDGE
550-009KJKABNF

O-RING, #010
243.391.AB.1

2.2 GPM (8.3 L/min) Vandal Proof Softflo Aerator E12VPJKABCP



For Technical Assistance:

Phone: 800-TEC-TRUE (832-8783)

Email: techsupport.us@chicagofaucets.com

2100 South Clearwater Drive

Des Plaines, IL 60018

Phone: 847-803-5000

chicagofaucets.com

Repair Parts

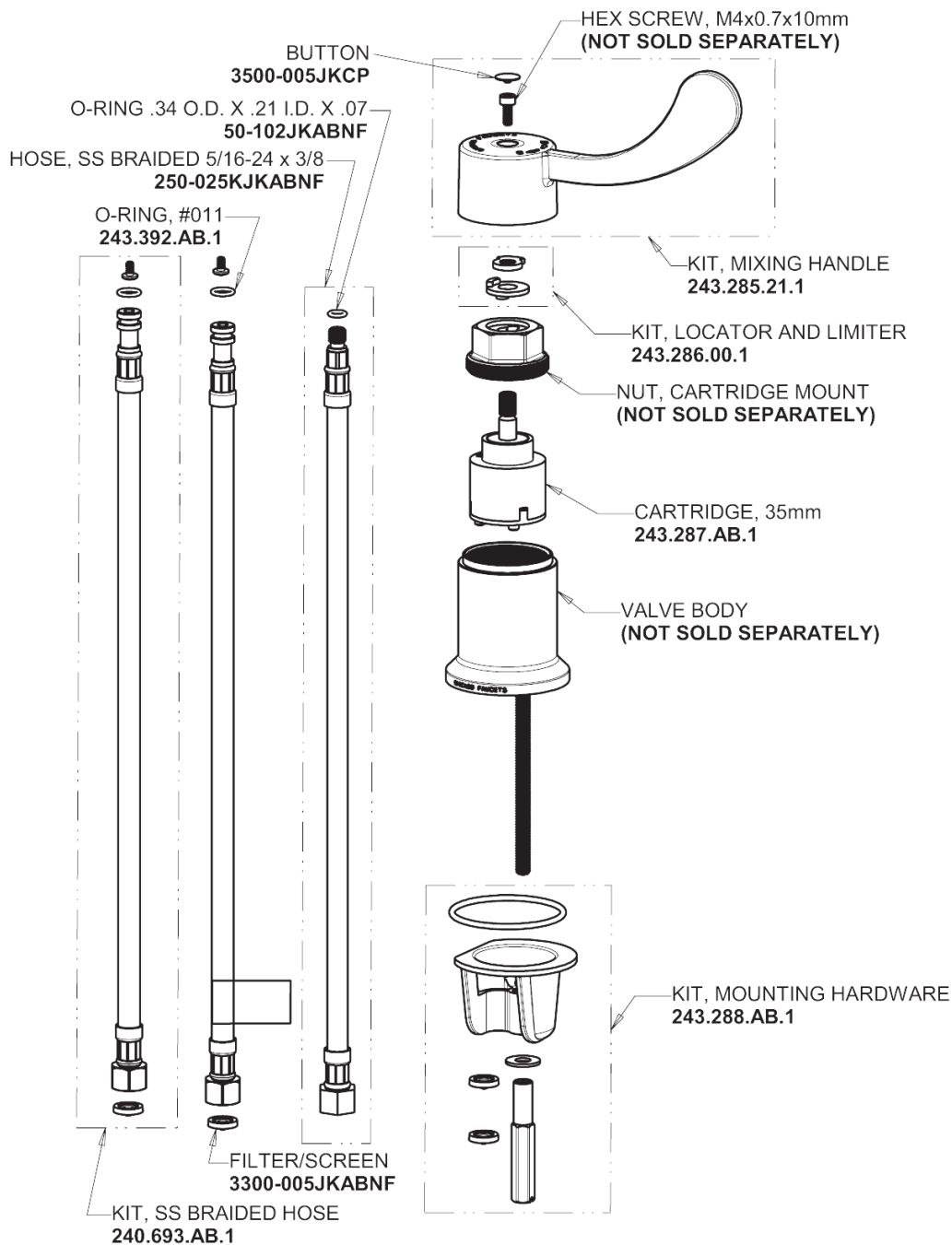
116.837.AB.1

OSHPD Mixer Sink Faucet with Dual Beam Infrared Sensor - Patient Care Application

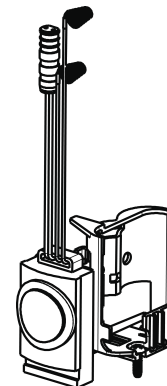
**CHICAGO
FAUCETS**

a Geberit company

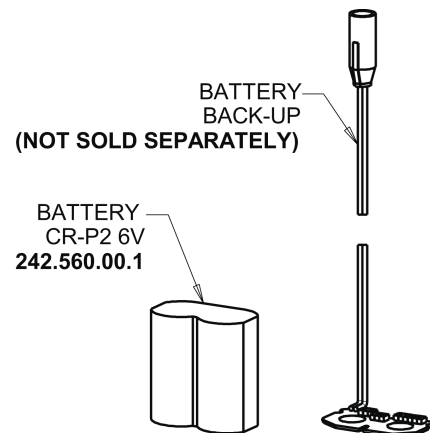
OSHPD-Compliant Mixer, Less Check Valves
OSHPD Mixing Handle



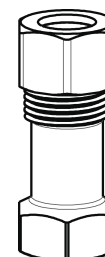
Electronic Module
242.433.00.1



Emergency Backup Power System
243.290.00.1



Inline Check Valve
243.315.AB.1



For Technical Assistance:

Phone: 800-TEC-TRUE (832-8783)

Email: techsupport.us@chicago faucets.com

2100 South Clearwater Drive
Des Plaines, IL 60018
Phone: 847-803-5000
chicago faucets.com