

Repair Parts

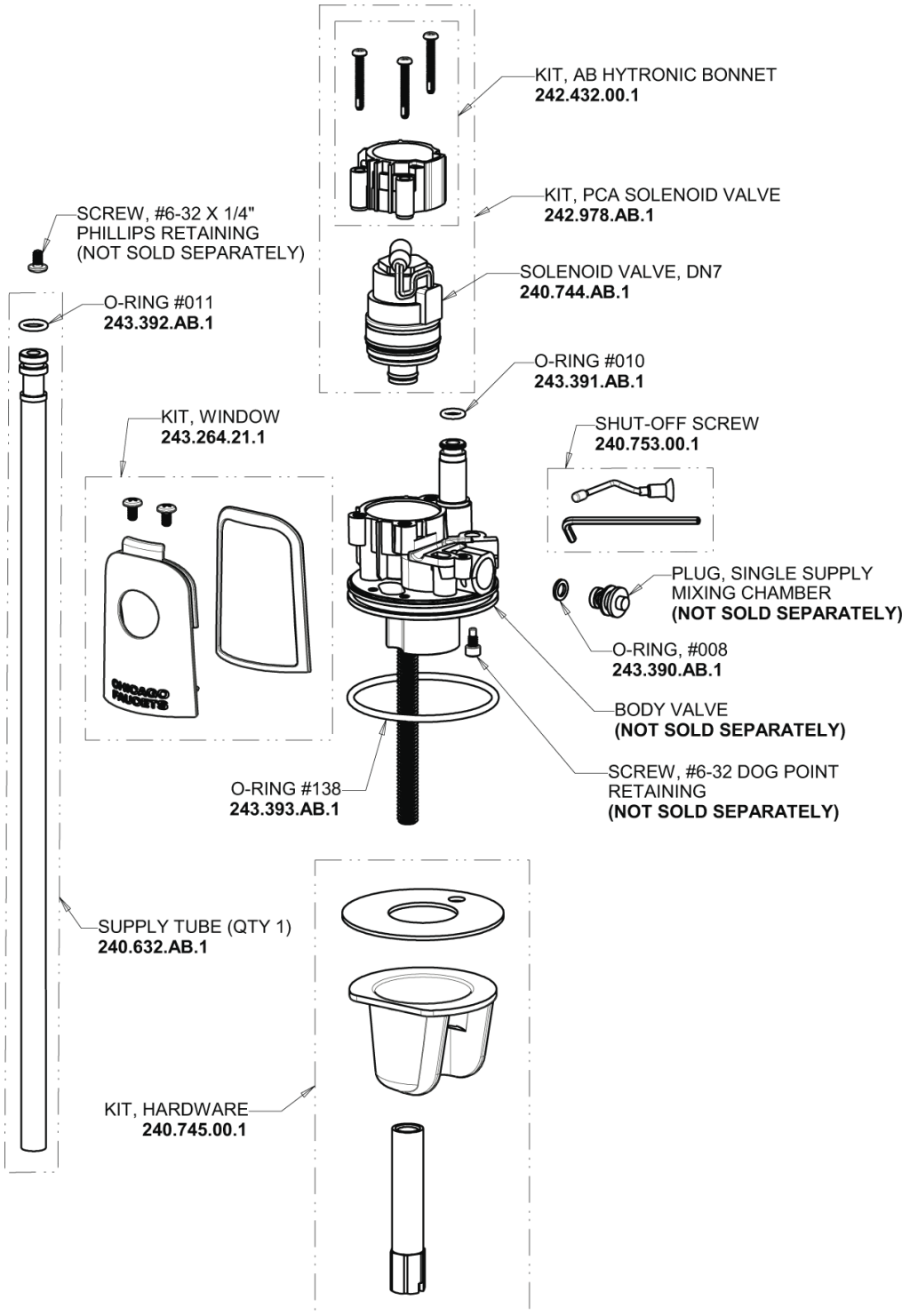
116.836.AB.1

OSHPD Mixer Sink Faucet with Dual Beam Infrared Sensor - Patient Care Application

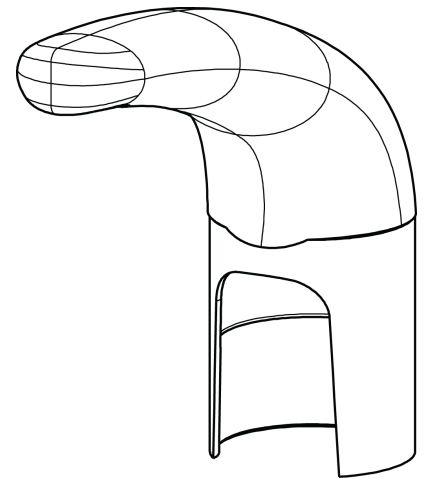
CHICAGO FAUCETS®

Geberit Group

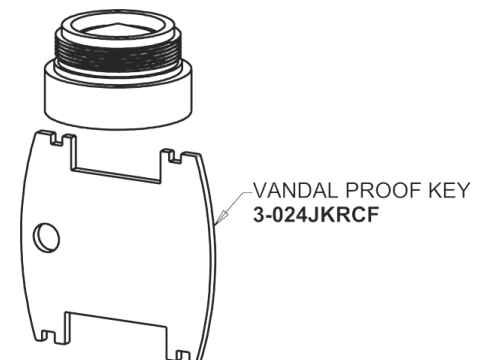
Base Parts:



HyTronic Traditional Spout
244.507.00.1



2.2 GPM (8.3 L/min) Vandal Proof
Softflo Aerator
E12VPJKABCP



For Technical Assistance:

Phone: 800-TEC-TRUE (832-8783)

Email: techsupport.us@chicagofaucets.com

2100 South Clearwater Drive

Des Plaines, IL 60018

Phone: 847-803-5000

chicagofaucets.com

Repair Parts

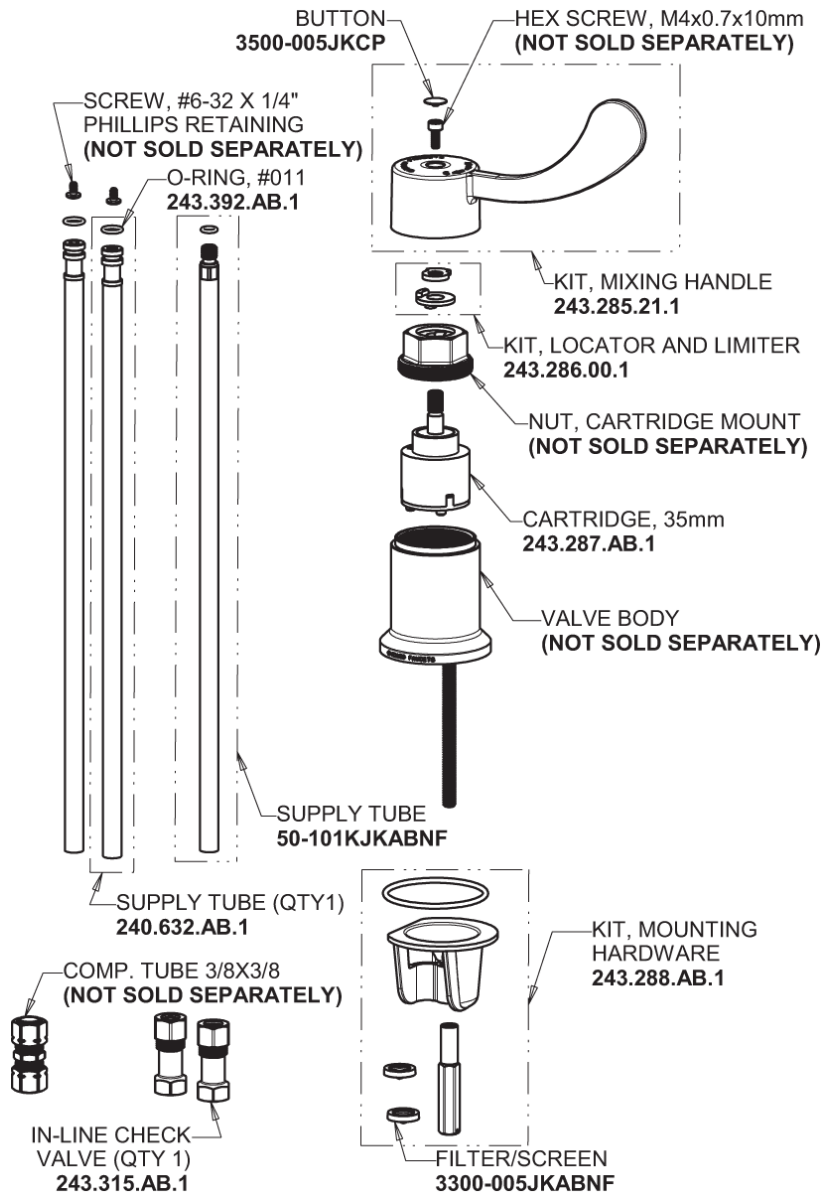
116.836.AB.1

OSHPD Mixer Sink Faucet with Dual Beam Infrared Sensor - Patient Care Application

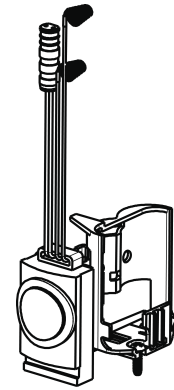
CHICAGO FAUCETS®

Geberit Group

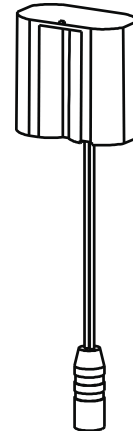
OSHPD-Compliant Mixer for HyTronic
244.484.00.1



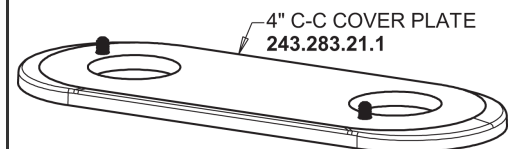
Electronic Module
242.433.00.1



AC Power Adapter
240.747.00.1



Cover Plate for Mechanical Mixing Valve with User Temperature Control
243.283.21.1



For Technical Assistance:

Phone: 800-TEC-TRUE (832-8783)

Email: techsupport.us@chicagofaucets.com

2100 South Clearwater Drive

Des Plaines, IL 60018

Phone: 847-803-5000

chicagofaucets.com