

Repair Parts

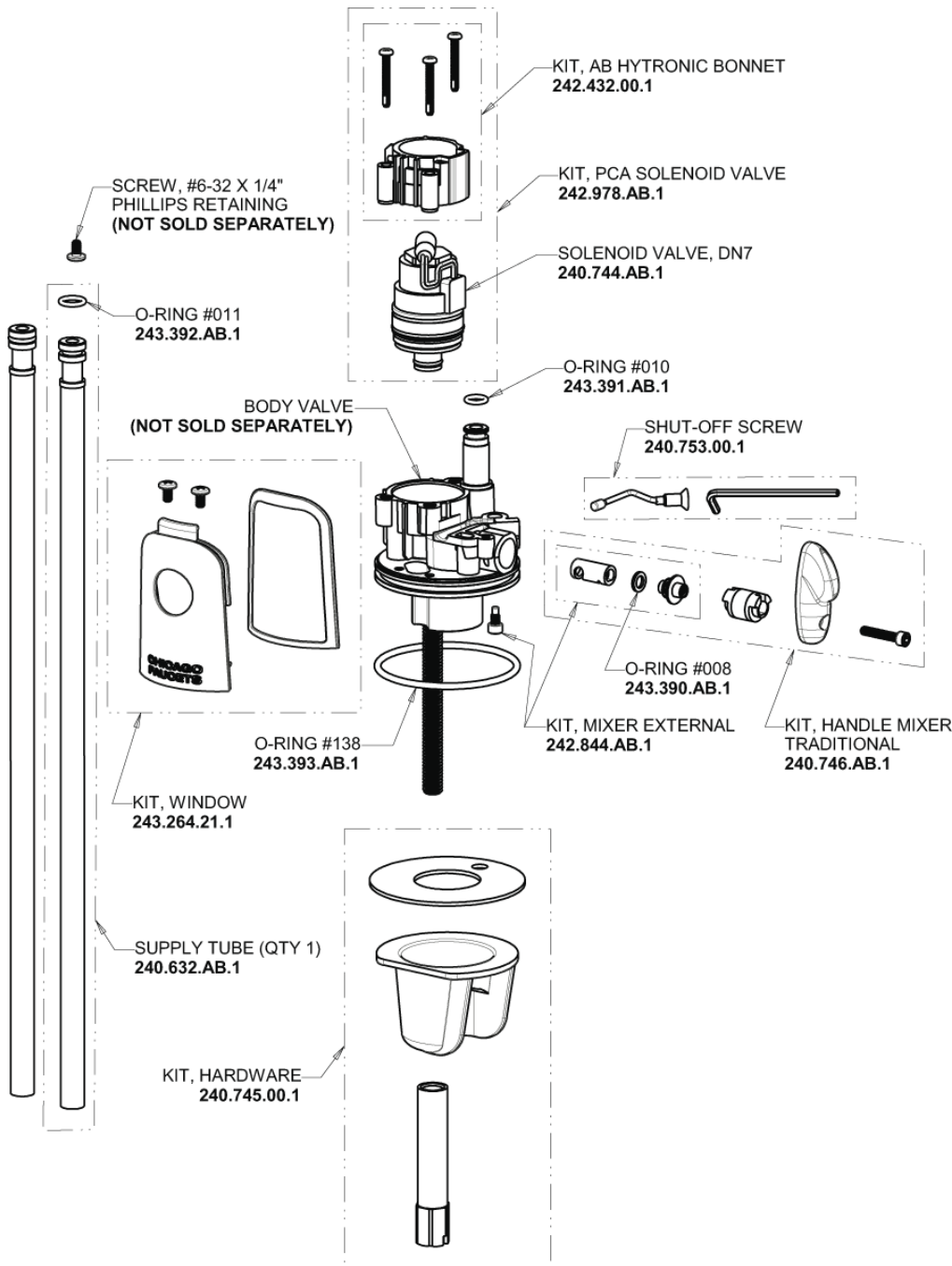
116.786.AB.1

HyTronic Traditional Sink Faucet with Dual Beam Infrared Sensor - Patient Care Application

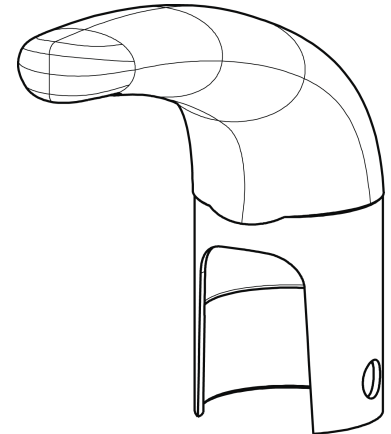
**CHICAGO
FAUCETS**

a Geberit company

Base Parts:



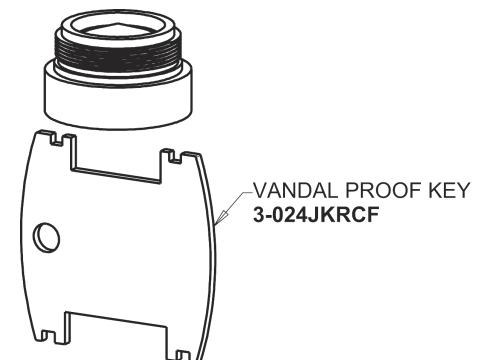
HyTronic Traditional Spout 240.723.AB.1



CHECK-CARTRIDGE 550-009KJKABNF

O-RING, #010 243.391.AB.1

2.2 GPM (8.3 L/min) Vandal Proof Softflo Aerator E12VPJKABCP



For Technical Assistance:

Phone: 800-TEC-TRUE (832-8783)

Email: techsupport.us@chicagofaucets.com

2100 South Clearwater Drive

Des Plaines, IL 60018

Phone: 847-803-5000

chicagofaucets.com

Repair Parts

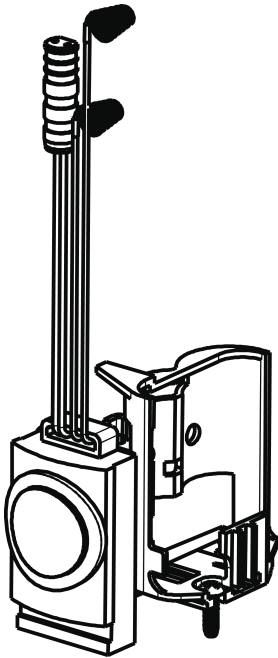
116.786.AB.1

HyTronic Traditional Sink Faucet with Dual Beam Infrared Sensor -
Patient Care Application

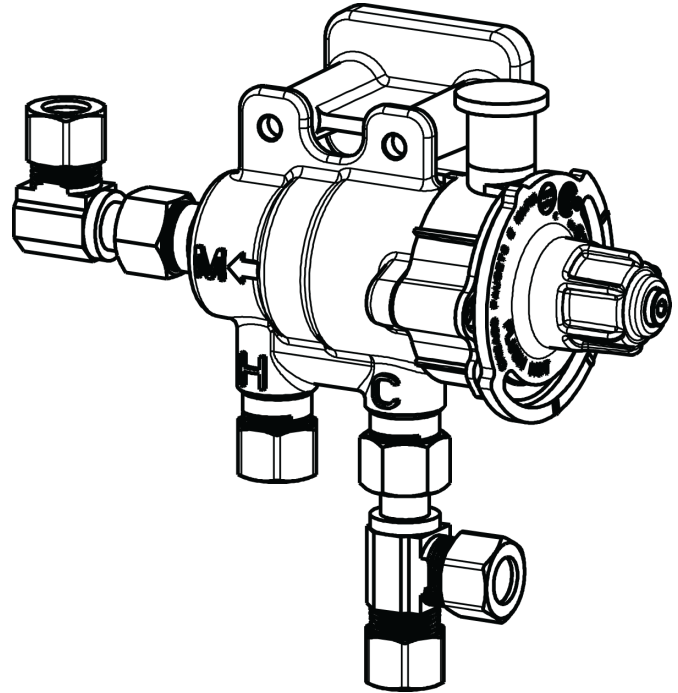
**CHICAGO
FAUCETS** 

a Geberit company

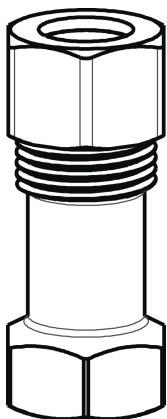
Electronic Module
242.433.00.1



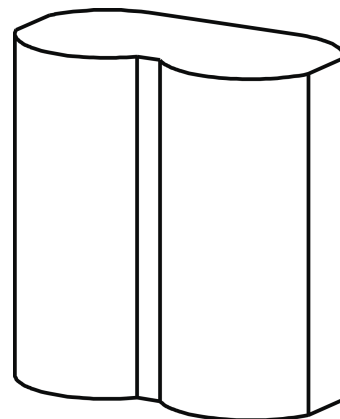
Thermostatic Mixing Valve
131-CFMABNF



Inline Check Valve
243.315.AB.1



CR-P2 6V Lithium Battery
242.560.00.1



For Technical Assistance:

Phone: 800-TEC-TRUE (832-8783)

Email: techsupport.us@chicagofaucets.com

2100 South Clearwater Drive

Des Plaines, IL 60018

Phone: 847-803-5000

chicagofaucets.com