

# Repair Parts

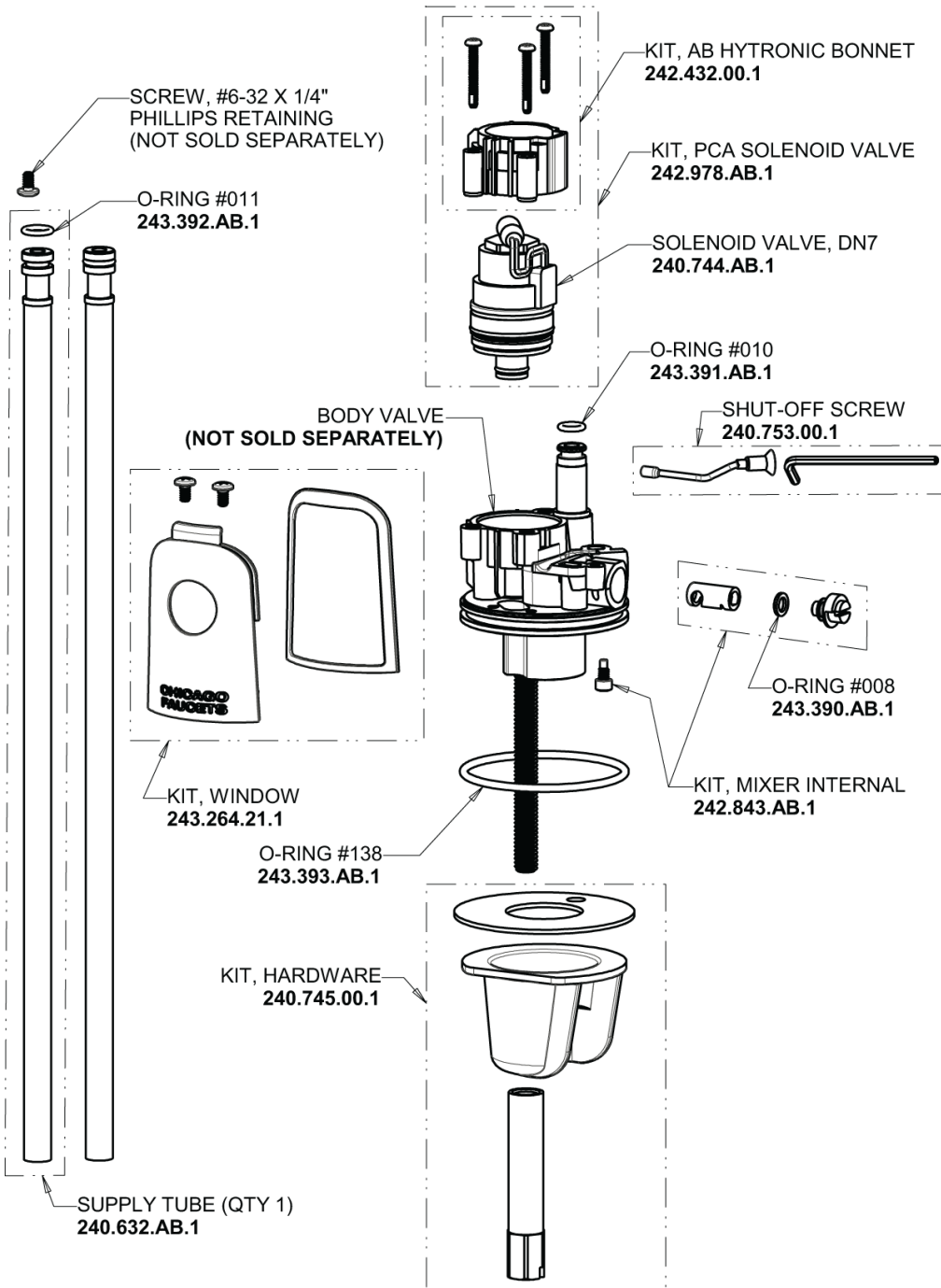
116.784.AB.1

HyTronic Traditional Sink Faucet with Dual Beam Infrared Sensor - Patient Care Application

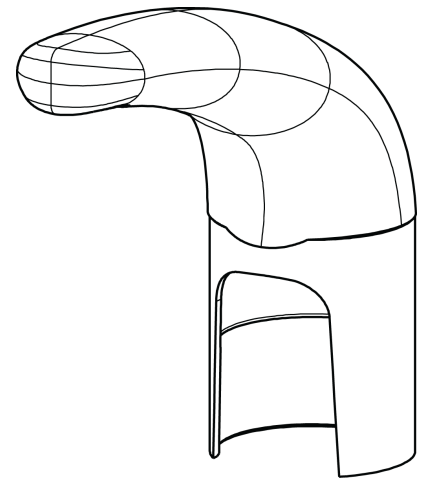
# CHICAGO FAUCETS®

Geberit Group

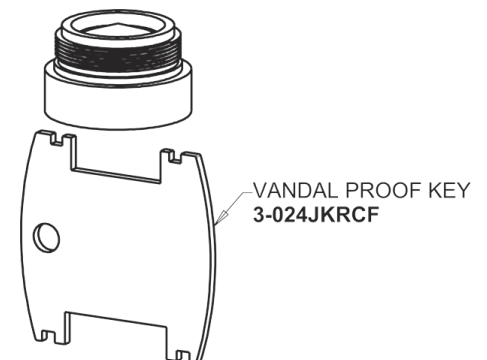
## Base Parts:



## HyTronic Traditional Spout 244.507.00.1



## 2.2 GPM (8.3 L/min) Vandal Proof Softflo Aerator E12VPJKABCP



## For Technical Assistance:

Phone: 800-TEC-TRUE (832-8783)

Email: [techsupport.us@chicagofaucets.com](mailto:techsupport.us@chicagofaucets.com)

2100 South Clearwater Drive

Des Plaines, IL 60018

Phone: 847-803-5000

[chicagofaucets.com](http://chicagofaucets.com)

# Repair Parts

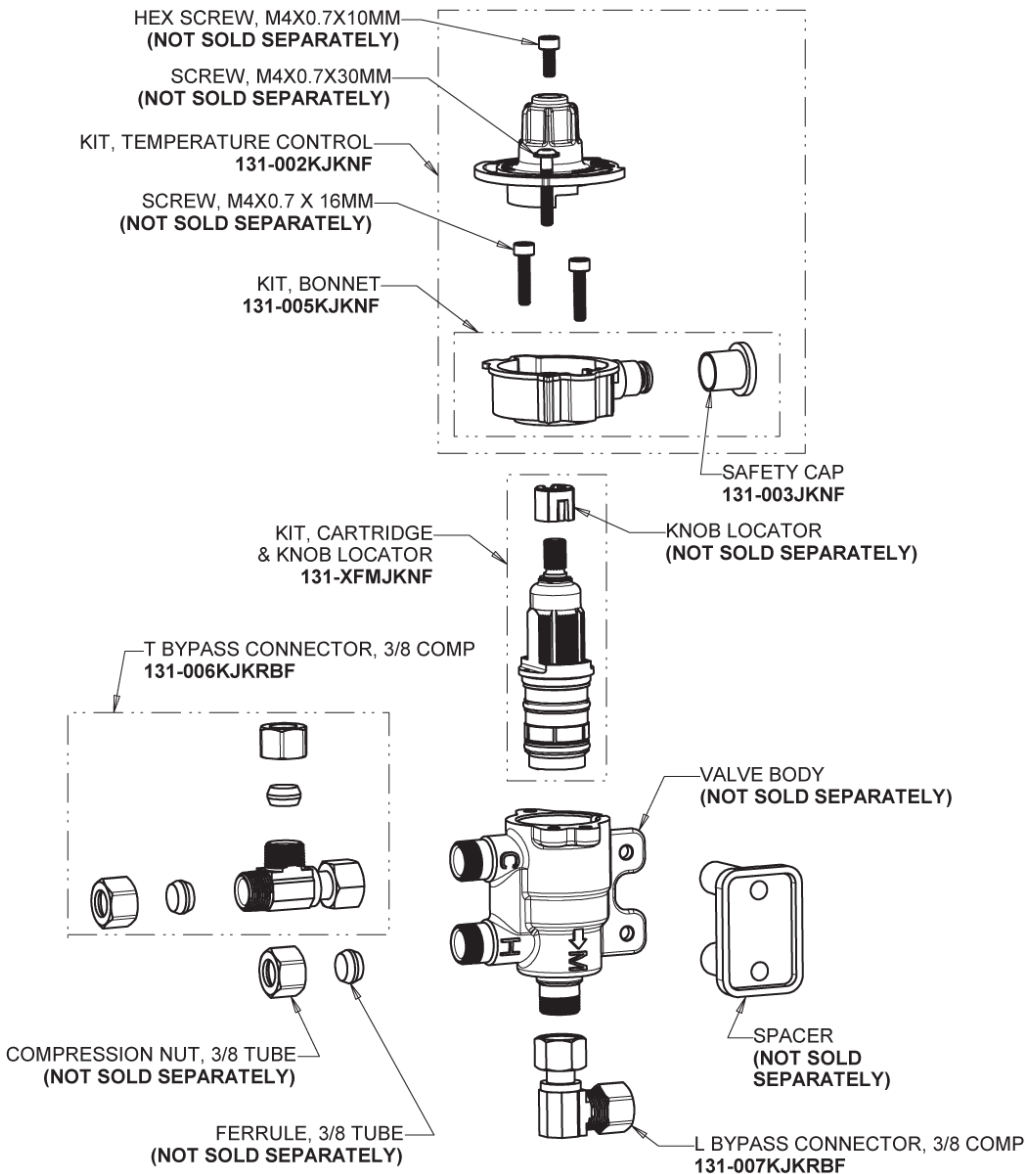
116.784.AB.1

HyTronic Traditional Sink Faucet with Dual Beam Infrared Sensor - Patient Care Application

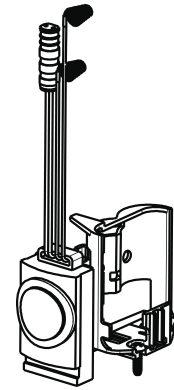
# CHICAGO FAUCETS®

Geberit Group

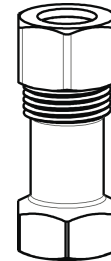
Thermostatic Mixing Valve  
**131-LCFMJKABNF**



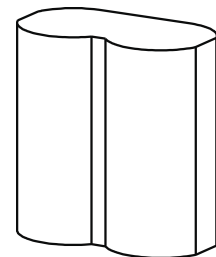
Electronic Module  
**242.433.00.1**



Inline Check Valve  
**243.315.AB.1**



CR-P2 6V Lithium Battery  
**242.560.00.1**



## For Technical Assistance:

Phone: 800-TEC-TRUE (832-8783)

Email: [techsupport.us@chicagofaucets.com](mailto:techsupport.us@chicagofaucets.com)

2100 South Clearwater Drive

Des Plaines, IL 60018

Phone: 847-803-5000

[chicagofaucets.com](http://chicagofaucets.com)