

# Repair Parts

116.779.AB.1

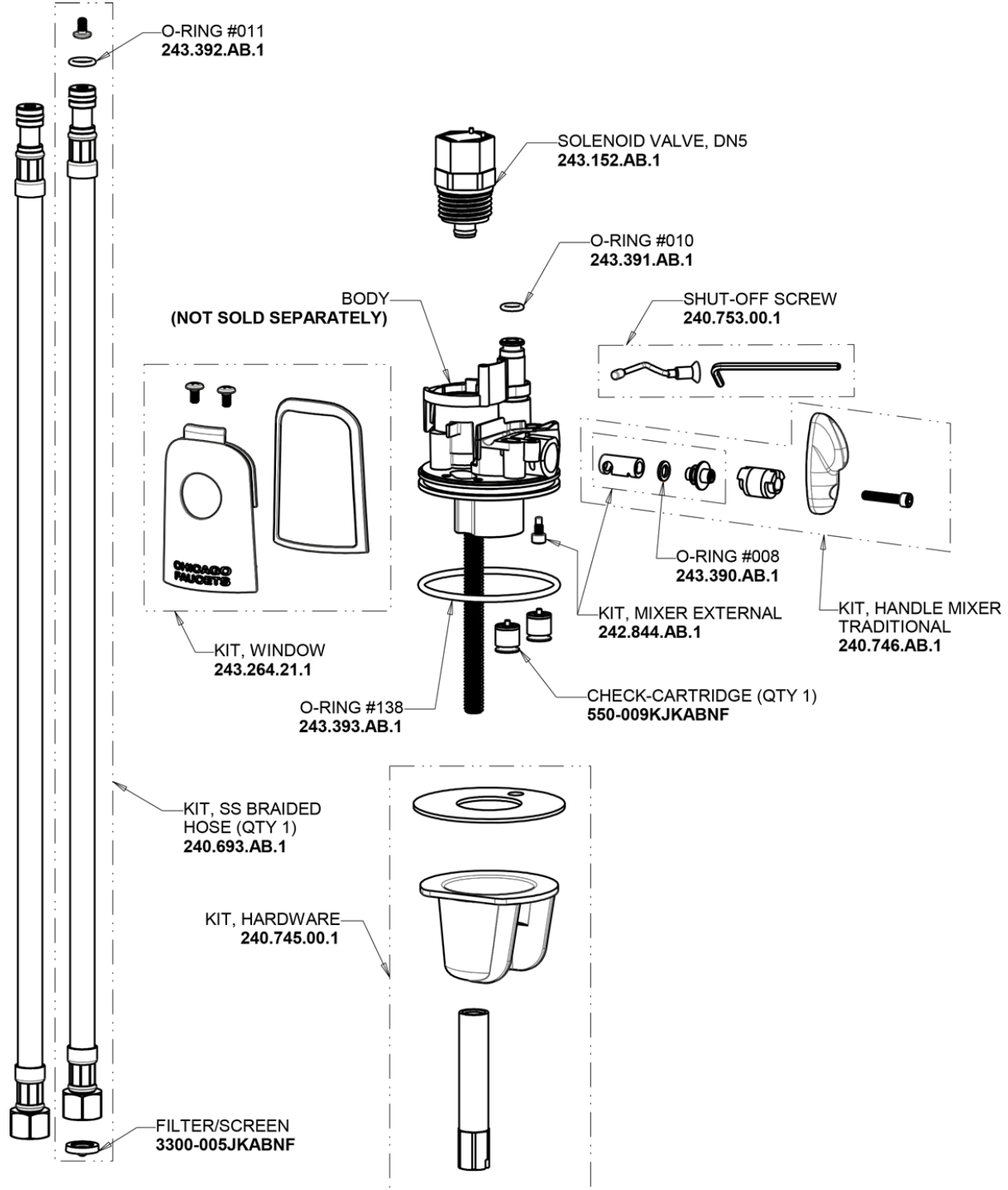
HyTronic Curve Sink Faucet with Dual Beam Infrared Sensor

# CHICAGO FAUCETS®

Geberit Group

HyTronic Base with User Temp Control

## Base Parts:



## For Technical Assistance:

Phone: 800-TEC-TRUE (832-8783)

Email: [techsupport.us@chicagofaucets.com](mailto:techsupport.us@chicagofaucets.com)

2100 South Clearwater Drive

Des Plaines, IL 60018

Phone: 847-803-5000

[chicagofaucets.com](http://chicagofaucets.com)

# Repair Parts

116.779.AB.1

HyTronic Curve Sink Faucet with Dual Beam Infrared Sensor

# CHICAGO FAUCETS®

Geberit Group

HyTronic Curve Spout  
242.798.AB.1

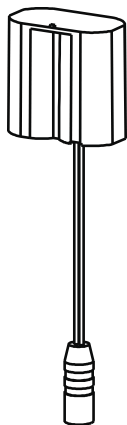


FLOW CONTROL 1.5 GPM MAX  
1020-006KJKABNF

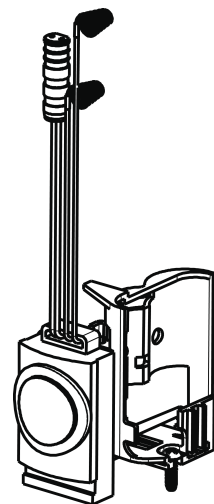
CHECK-CARTRIDGE  
550-009KJKABNF

O-RING #010  
243.391.AB.1

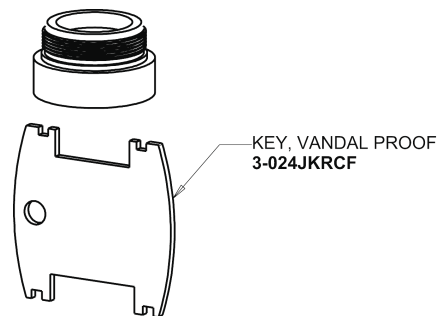
AC Power Adapter  
240.747.00.1



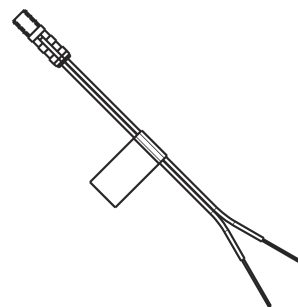
Electronic Module  
242.433.00.1



Vandal Proof Non-Aerating Laminar Stream Solidifier Outlet  
242.757.AB.1



Bank Installation Adapter Wire  
242.340.00.1



## For Technical Assistance:

Phone: 800-TEC-TRUE (832-8783)

Email: [techsupport.us@chicagofaucets.com](mailto:techsupport.us@chicagofaucets.com)

2100 South Clearwater Drive

Des Plaines, IL 60018

Phone: 847-803-5000

[chicagofaucets.com](http://chicagofaucets.com)