

# Repair Parts

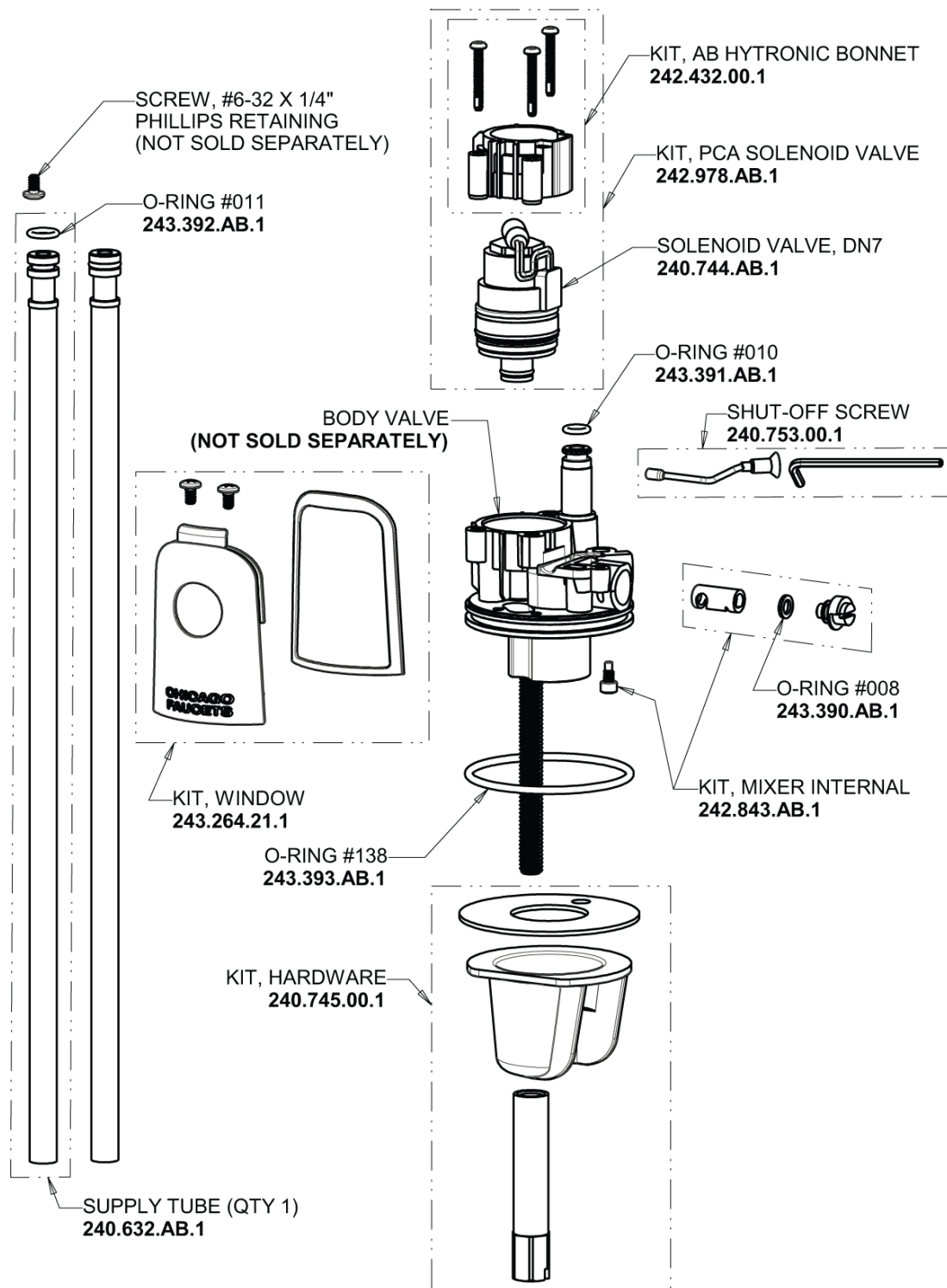
116.728.AB.1

HyTronic Traditional Sink Faucet with Dual Beam Infrared Sensor - Patient Care Application

# CHICAGO FAUCETS®

Geberit Group

## Base Parts:



## For Technical Assistance:

Phone: 800-TEC-TRUE (832-8783)

Email: [techsupport.us@chicagofaucets.com](mailto:techsupport.us@chicagofaucets.com)

2100 South Clearwater Drive

Des Plaines, IL 60018

Phone: 847-803-5000

[chicagofaucets.com](http://chicagofaucets.com)

# Repair Parts

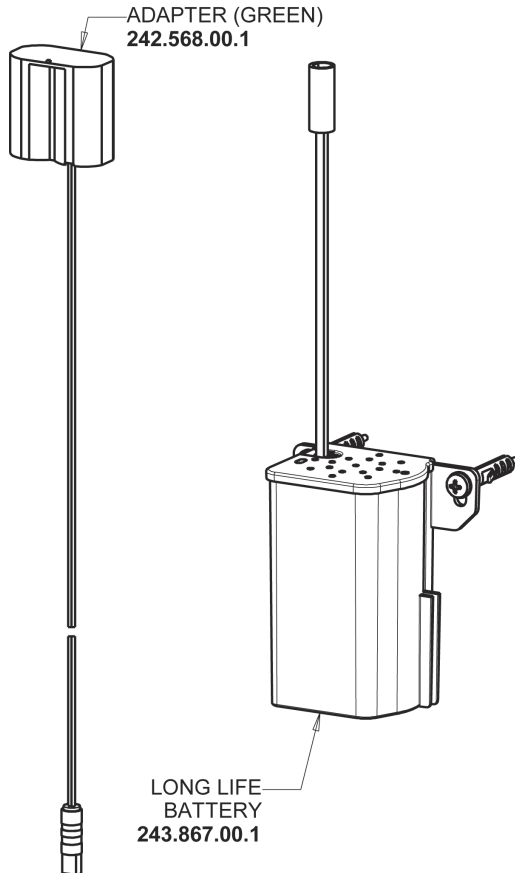
116.728.AB.1

HyTronic Traditional Sink Faucet with Dual Beam Infrared Sensor - Patient Care Application

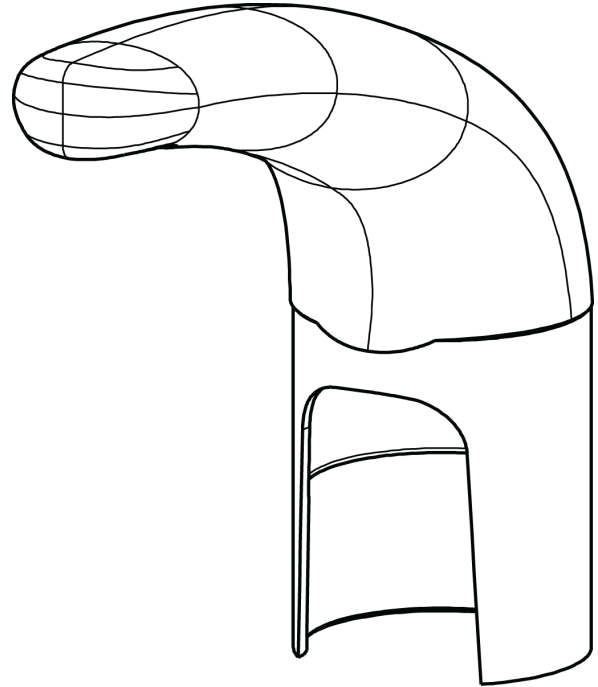
# CHICAGO FAUCETS®

Geberit Group

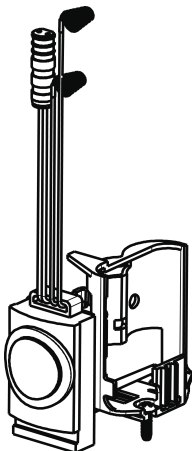
Long Life Battery Kit  
**243.868.00.1**



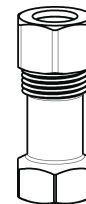
HyTronic Traditional Spout  
**244.507.00.1**



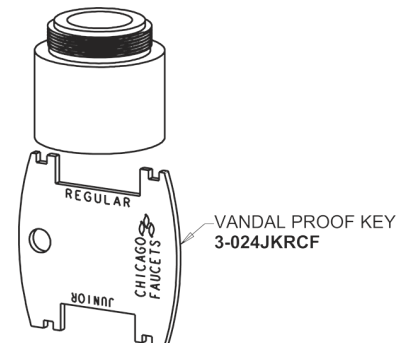
Electronic Module  
**242.433.00.1**



Inline Check Valve  
**243.315.AB.1**



1.5 GPM (5.7 L/min) Vandal Proof Antimicrobial Non-Aerating Laminar Outlet  
**E62VPJKABCP**



## For Technical Assistance:

Phone: 800-TEC-TRUE (832-8783)

Email: [techsupport.us@chicagofaucets.com](mailto:techsupport.us@chicagofaucets.com)

2100 South Clearwater Drive

Des Plaines, IL 60018

Phone: 847-803-5000

[chicagofaucets.com](http://chicagofaucets.com)