

Repair Parts

116.719.AB.1

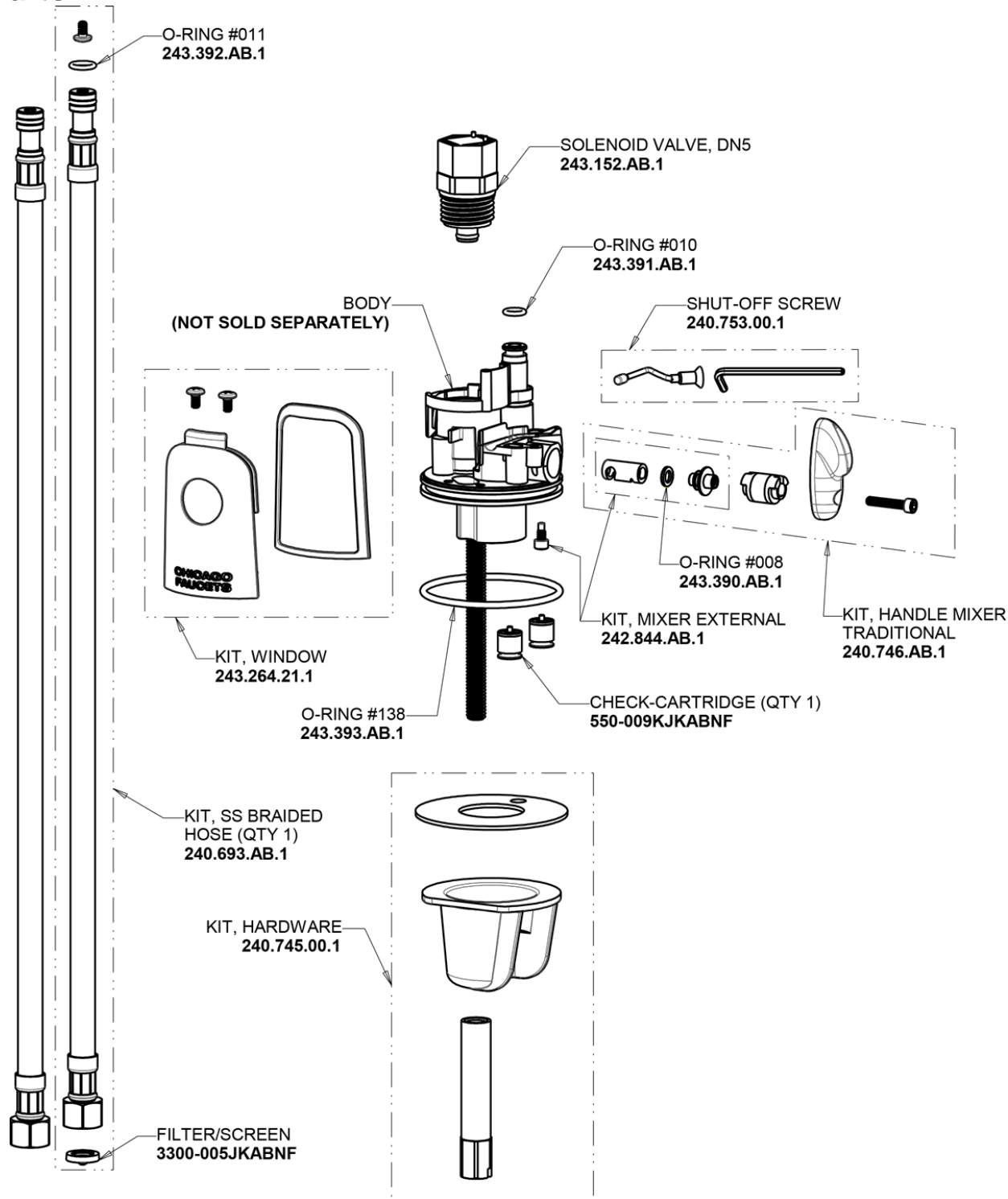
HyTronic Curve Sink Faucet with Dual Beam Infrared Sensor

CHICAGO FAUCETS®

Geberit Group

HyTronic Base with User Temp Control

Base Parts:



For Technical Assistance:

Phone: 800-TEC-TRUE (832-8783)

Email: techsupport.us@chicagofaucets.com

2100 South Clearwater Drive

Des Plaines, IL 60018

Phone: 847-803-5000

chicagofaucets.com

Repair Parts

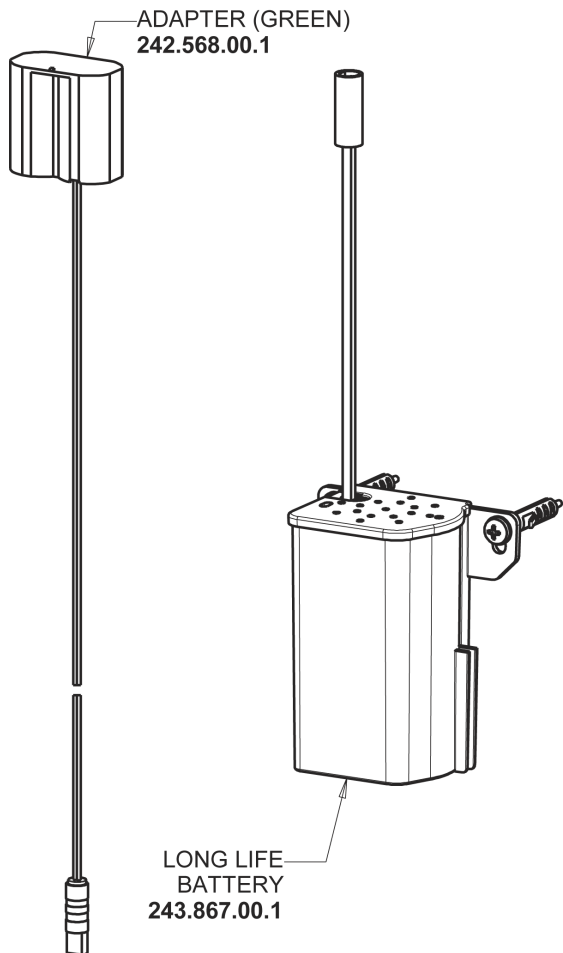
116.719.AB.1

HyTronic Curve Sink Faucet with Dual Beam Infrared Sensor

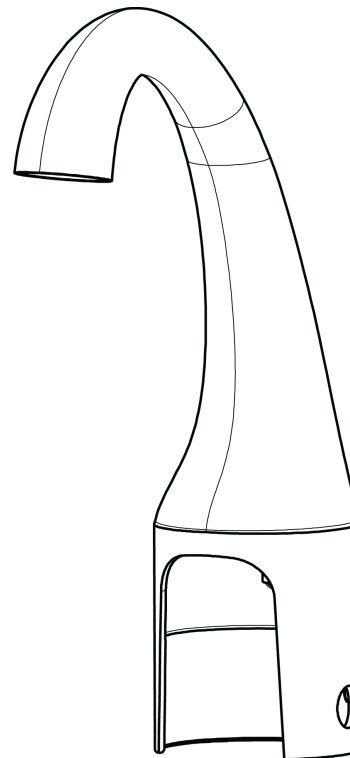
CHICAGO FAUCETS®

Geberit Group

Long Life Battery Kit
243.868.00.1



HyTronic Curve Spout
242.798.AB.1



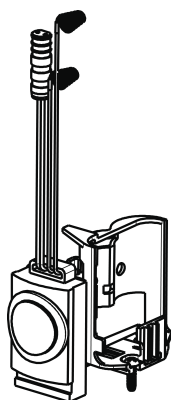
FLOW CONTROL 1.5 GPM MAX
1020-006KJKABNF

CHECK-CARTRIDGE
550-009KJKABNF

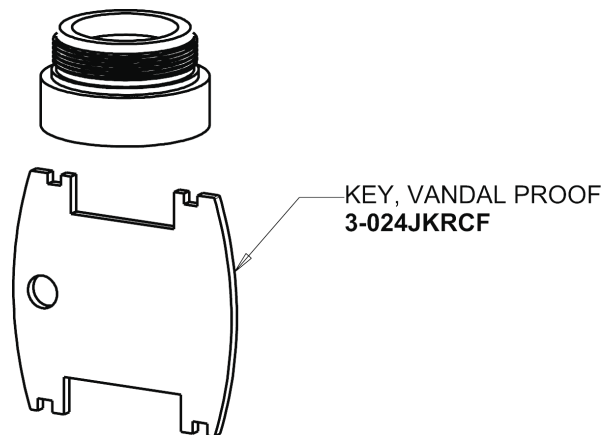
O-RING #010
243.391.AB.1

The diagram shows three small components used in the faucet assembly. The first is a flow control valve (part 1020-006KJKABNF) with a small handle. The second is a check-cartridge (part 550-009KJKABNF) with a central stem and a filter. The third is an O-ring (part 243.391.AB.1) which is a small, circular seal.

Electronic Module
242.433.00.1



Vandal Proof Non-Aerating Laminar Stream Solidifier Outlet
242.757.AB.1



For Technical Assistance:

Phone: 800-TEC-TRUE (832-8783)

Email: techsupport.us@chicagofaucets.com

2100 South Clearwater Drive
Des Plaines, IL 60018
Phone: 847-803-5000
chicagofaucets.com