

Repair Parts

116.715.AB.4

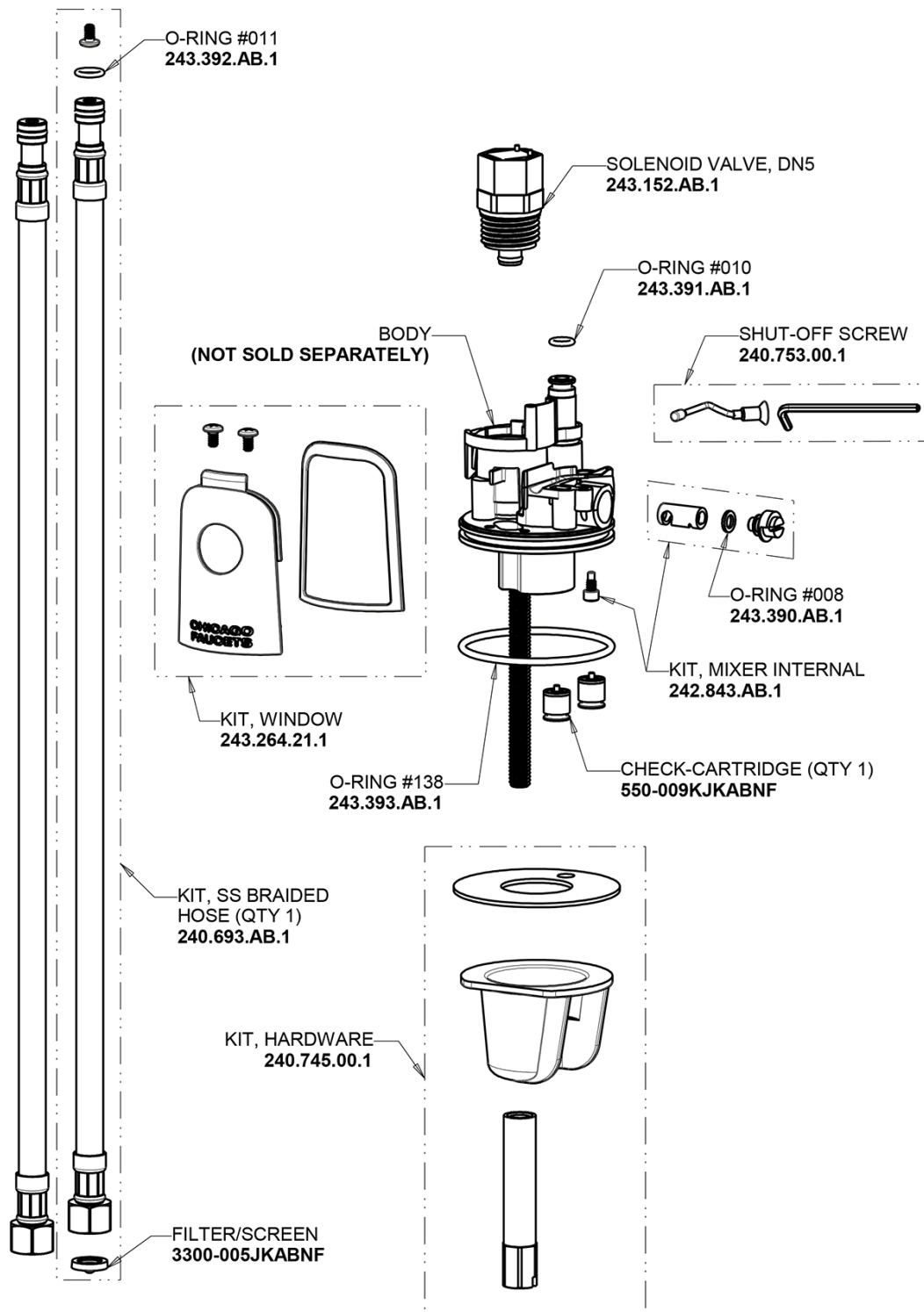
HyTronic Curve Sink Faucet with Dual Beam Infrared Sensor

**CHICAGO
FAUCETS** 

a Geberit company

HyTronic Base with Internal Mixer

Base Parts:



For Technical Assistance:

Phone: 800-TEC-TRUE (832-8783)

Email: techsupport.us@chicagofaucets.com

2100 South Clearwater Drive

Des Plaines, IL 60018

Phone: 847-803-5000

chicagofaucets.com

Repair Parts

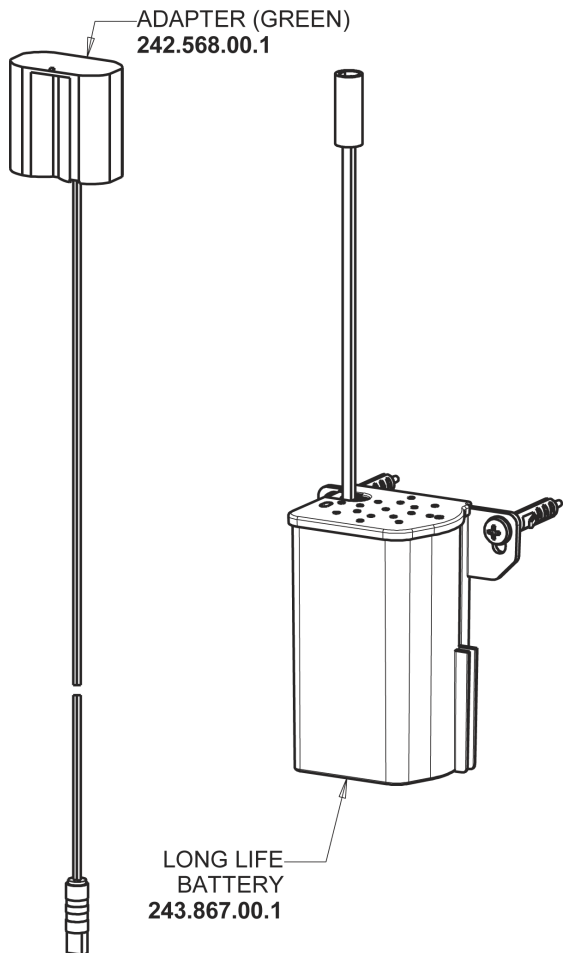
116.715.AB.4

HyTronic Curve Sink Faucet with Dual Beam Infrared Sensor

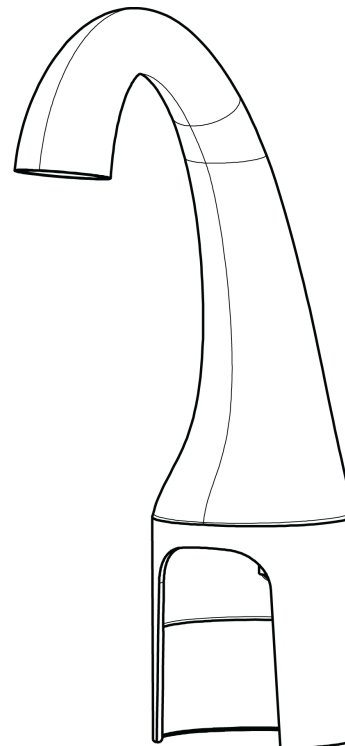
**CHICAGO
FAUCETS** 

a Geberit company

Long Life Battery Kit
243.868.00.1



HyTronic Curve Spout
242.755.AB.1



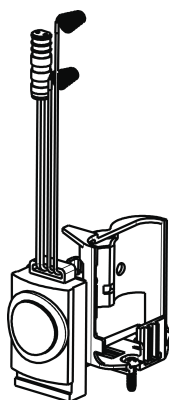
FLOW CONTROL 1.5 GPM MAX
1020-006KJKABNF

CHECK-CARTRIDGE
550-009KJKABNF

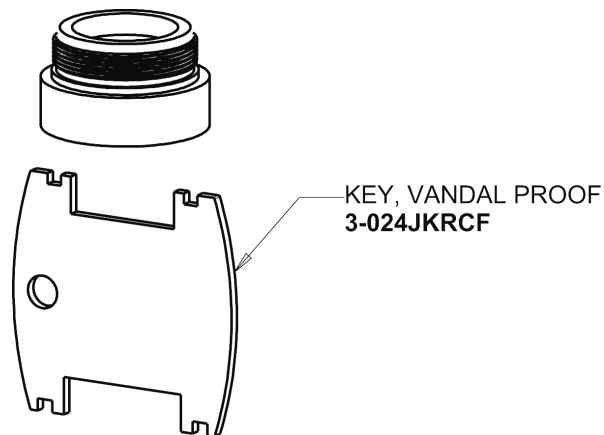
O-RING #010
243.391.AB.1

The diagram shows three small components: a flow control knob, a check-cartridge, and an O-ring.

Electronic Module
242.574.00.1



Vandal Proof Non-Aerating Laminar Stream Solidifier Outlet
242.757.AB.1



For Technical Assistance:

Phone: 800-TEC-TRUE (832-8783)

Email: techsupport.us@chicagofaucets.com

2100 South Clearwater Drive
Des Plaines, IL 60018
Phone: 847-803-5000
chicagofaucets.com