

# Repair Parts

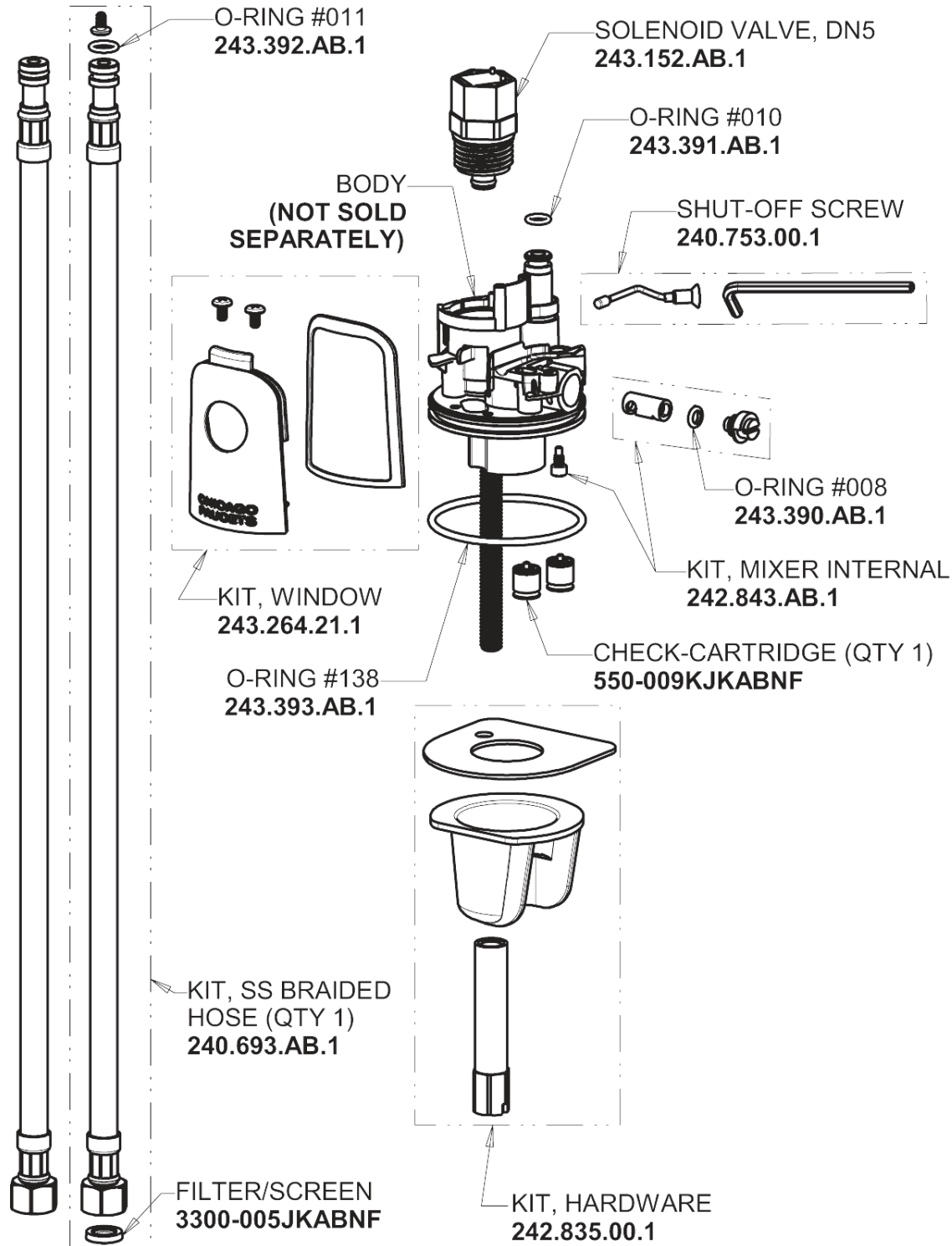
116.714.AB.1

HyTronic Edge Lavatory Sink Faucet with Dual Beam Infrared Sensor

# CHICAGO FAUCETS®

Geberit Group

## Base Parts:



## For Technical Assistance:

Phone: 800-TEC-TRUE (832-8783)

Email: [techsupport.us@chicagofaucets.com](mailto:techsupport.us@chicagofaucets.com)

2100 South Clearwater Drive

Des Plaines, IL 60018

Phone: 847-803-5000

[chicagofaucets.com](http://chicagofaucets.com)

# Repair Parts

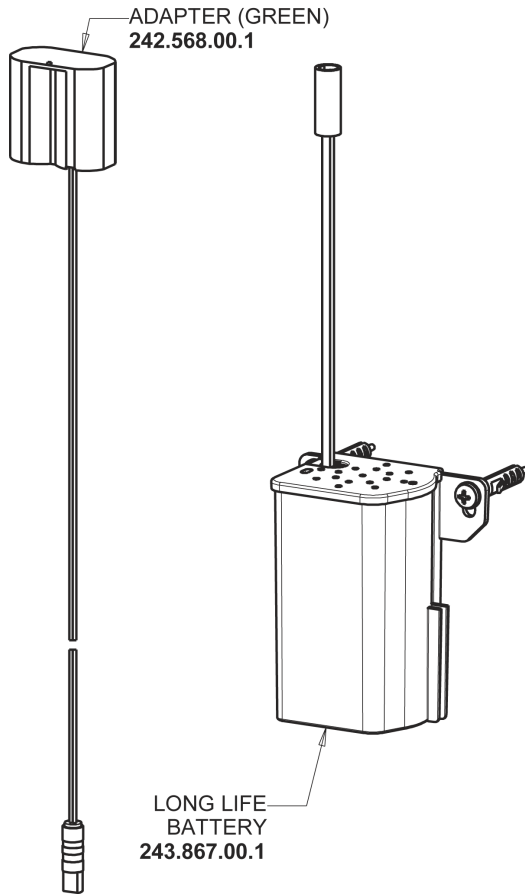
116.714.AB.1

HyTronic Edge Lavatory Sink Faucet with Dual Beam Infrared Sensor

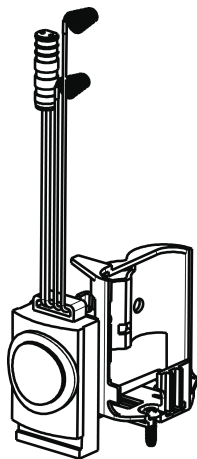
# CHICAGO FAUCETS®

Geberit Group

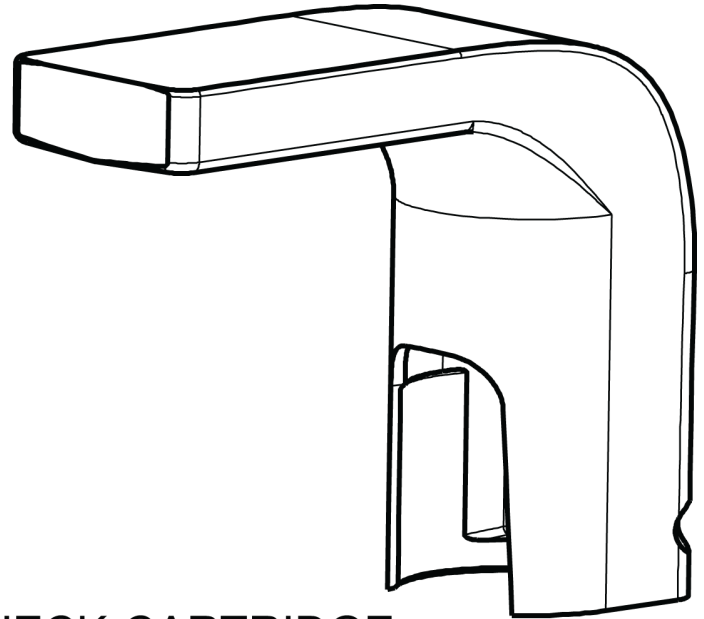
Long Life Battery Kit  
243.868.00.1



Electronic Module  
242.433.00.1



HyTronic Edge Spout  
242.754.AB.1



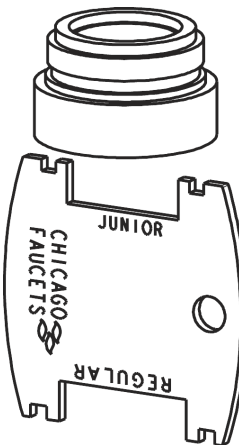
CHECK-CARTRIDGE  
550-009KJKABNF



O-RING, #010  
243.391.AB.1



0.5 GPM (1.9 L/min) Vandal Proof Econo-Flo Non-Aerating Spray  
E2805JKABCP



VANDAL PROOF KEY  
3-024JKRCF

## For Technical Assistance:

Phone: 800-TEC-TRUE (832-8783)

Email: [techsupport.us@chicago faucets.com](mailto:techsupport.us@chicago faucets.com)

2100 South Clearwater Drive

Des Plaines, IL 60018

Phone: 847-803-5000

[chicago faucets.com](http://chicago faucets.com)