

# Repair Parts

116.711.AB.1

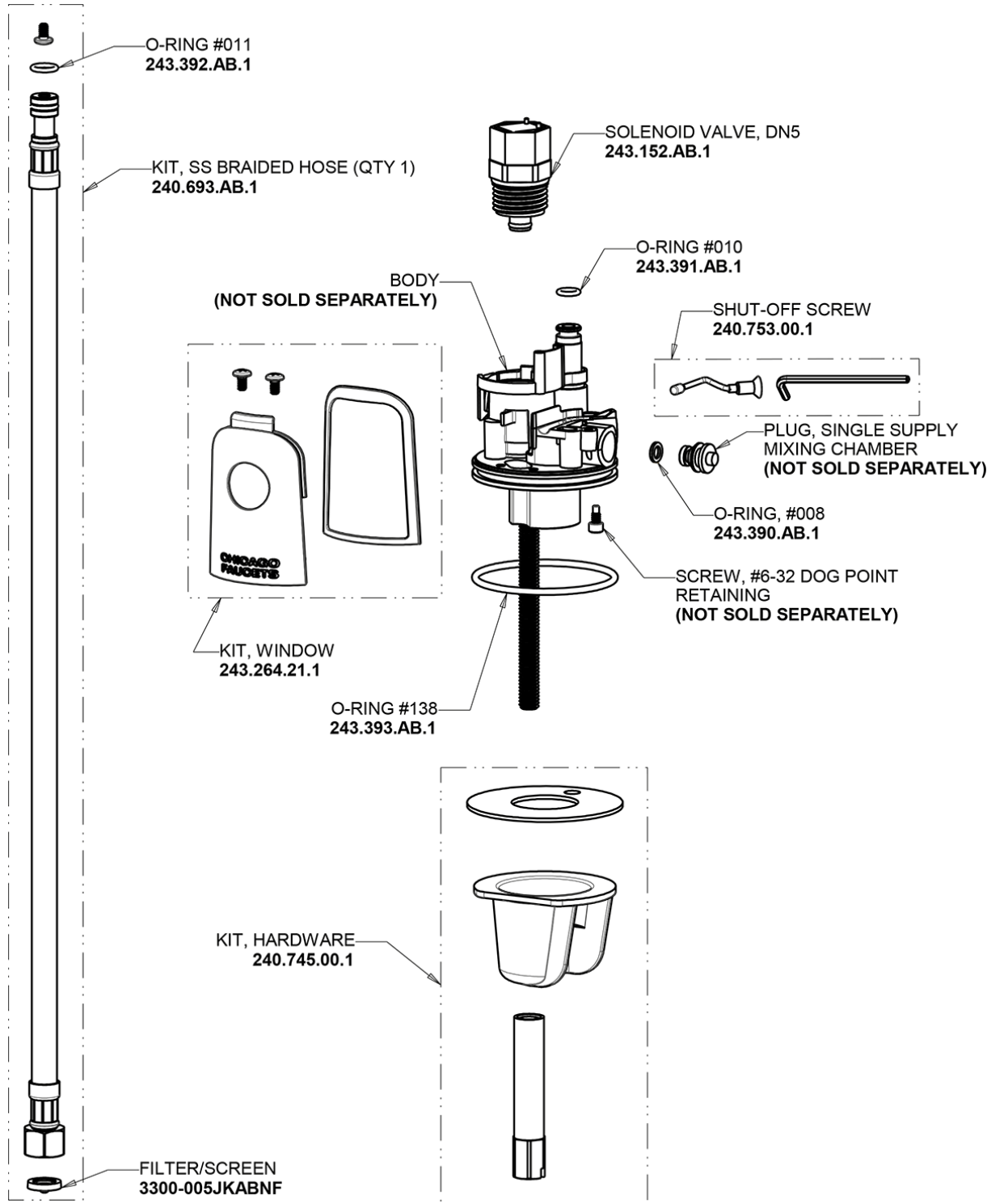
HyTronic Curve Sink Faucet with Dual Beam Infrared Sensor

**CHICAGO  
FAUCETS** 

a Geberit company

HyTronic Base, No Mixer

## Base Parts:



## For Technical Assistance:

Phone: 800-TEC-TRUE (832-8783)

Email: [techsupport.us@chicagofaucets.com](mailto:techsupport.us@chicagofaucets.com)

2100 South Clearwater Drive

Des Plaines, IL 60018

Phone: 847-803-5000

[chicagofaucets.com](http://chicagofaucets.com)

# Repair Parts

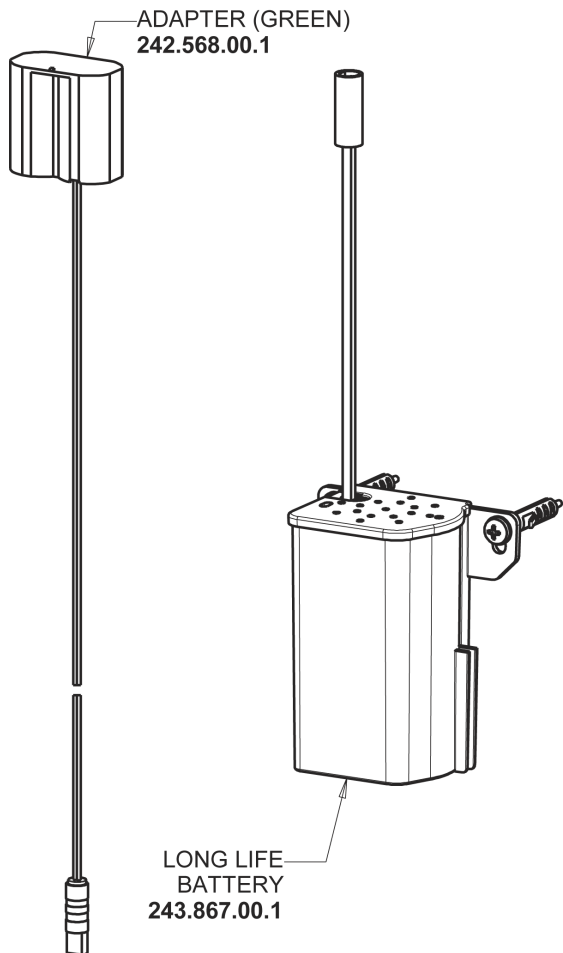
116.711.AB.1

HyTronic Curve Sink Faucet with Dual Beam Infrared Sensor

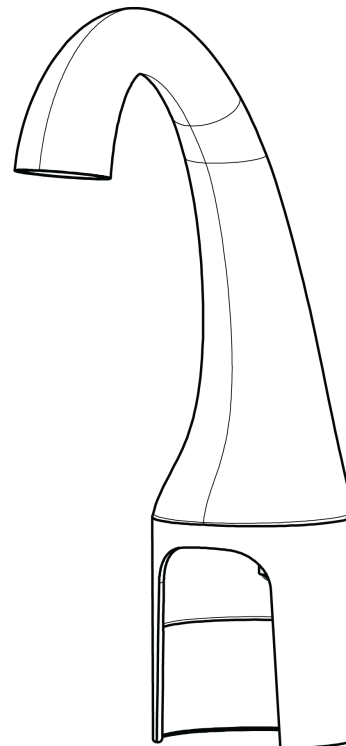
**CHICAGO  
FAUCETS** 

a Geberit company

Long Life Battery Kit  
**243.868.00.1**



HyTronic Curve Spout  
**242.755.AB.1**



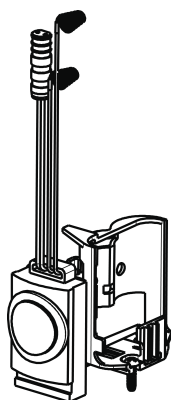
FLOW CONTROL 1.5 GPM MAX  
**1020-006KJKABNF**

CHECK-CARTRIDGE  
**550-009KJKABNF**

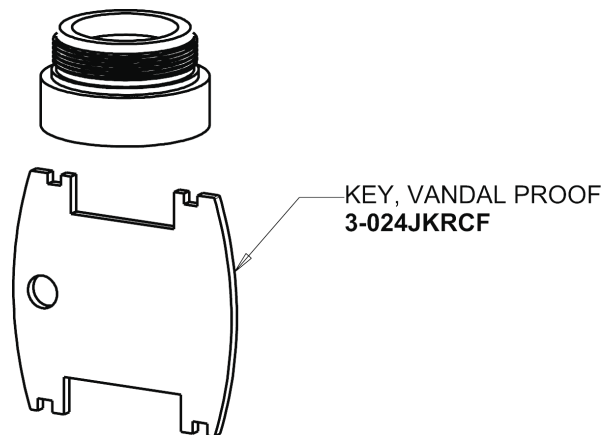
O-RING #010  
**243.391.AB.1**

The diagram shows three small components: a flow control knob, a check-cartridge, and an O-ring.

Electronic Module  
**242.433.00.1**



Vandal Proof Non-Aerating Laminar Stream Solidifier Outlet  
**242.757.AB.1**



## For Technical Assistance:

Phone: 800-TEC-TRUE (832-8783)

Email: [techsupport.us@chicagofaucets.com](mailto:techsupport.us@chicagofaucets.com)

2100 South Clearwater Drive  
Des Plaines, IL 60018  
Phone: 847-803-5000  
[chicagofaucets.com](http://chicagofaucets.com)