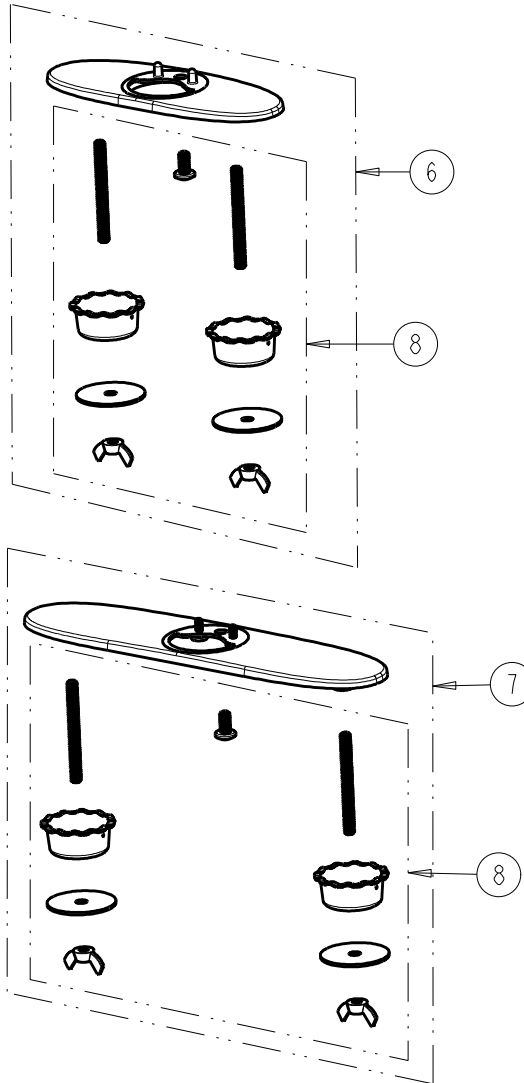
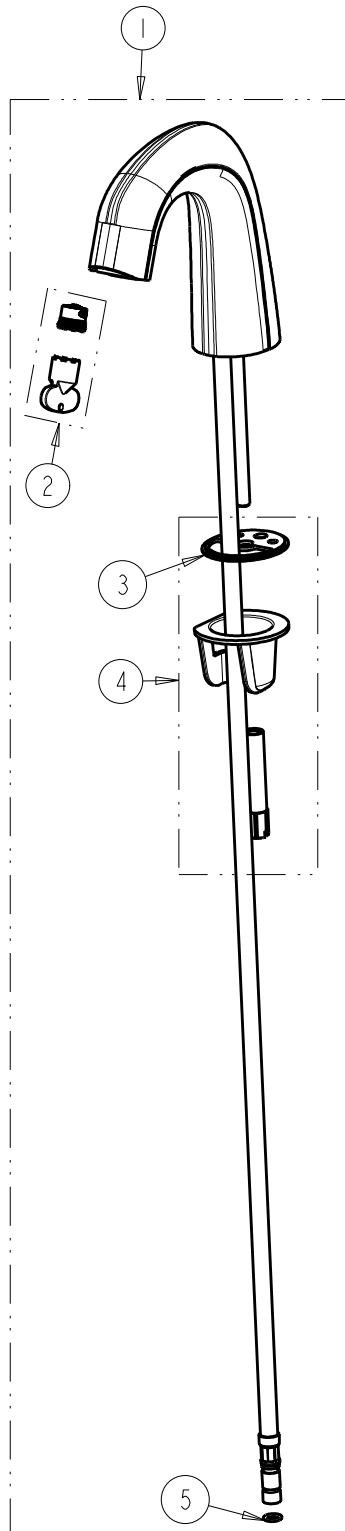


**FOR TECHNICAL ASSISTANCE**  
1-800-TEC-TRUE (1-800-832-8783)



**NOTE:**  
ITEM 3 INCLUDES DECK GASKET FOR EACH SPOUT DESIGN AND HOSE O-RINGS.

ITEM	PART NO.	DESCRIPTION
1	EQ-D12B-KJKABCP	KIT, EQ CURVED ZINC SPOUT w/ 1.0 GPM
2	243.146.AB.1	KIT, OUTLET FOR EQ 1.0 GPM
3	243.150.AB.1	KIT, SPOUT SEAL EQ SERIES
4	243.147.00.1	KIT, HARDWARE FOR EQ CURVED SPOUT
5	-----	O-RING #011, DRINKING WATER COMPLIANT
6	EQ-A12-KJKCP	KIT, 4" COVER PLATE - EQ CURVED/HIGHARC
7	EQ-A13-KJKCP	KIT, 8" COVER PLATE - EQ CURVED/HIGHARC
8	243.181.00.1	KIT, HARDWARE FOR EQ COVER PLATES

**CHICAGO FAUCETS** 

a Geberit company

**FOR TECHNICAL ASSISTANCE**  
1-800-TEC-TRUE (1-800-832-8783)

2100 South Clearwater Drive  
Des Plaines, IL 60018  
Phone: 847-803-5000  
Fax: 847-803-5454  
www.chicagofaucets.com

# REPAIR PARTS

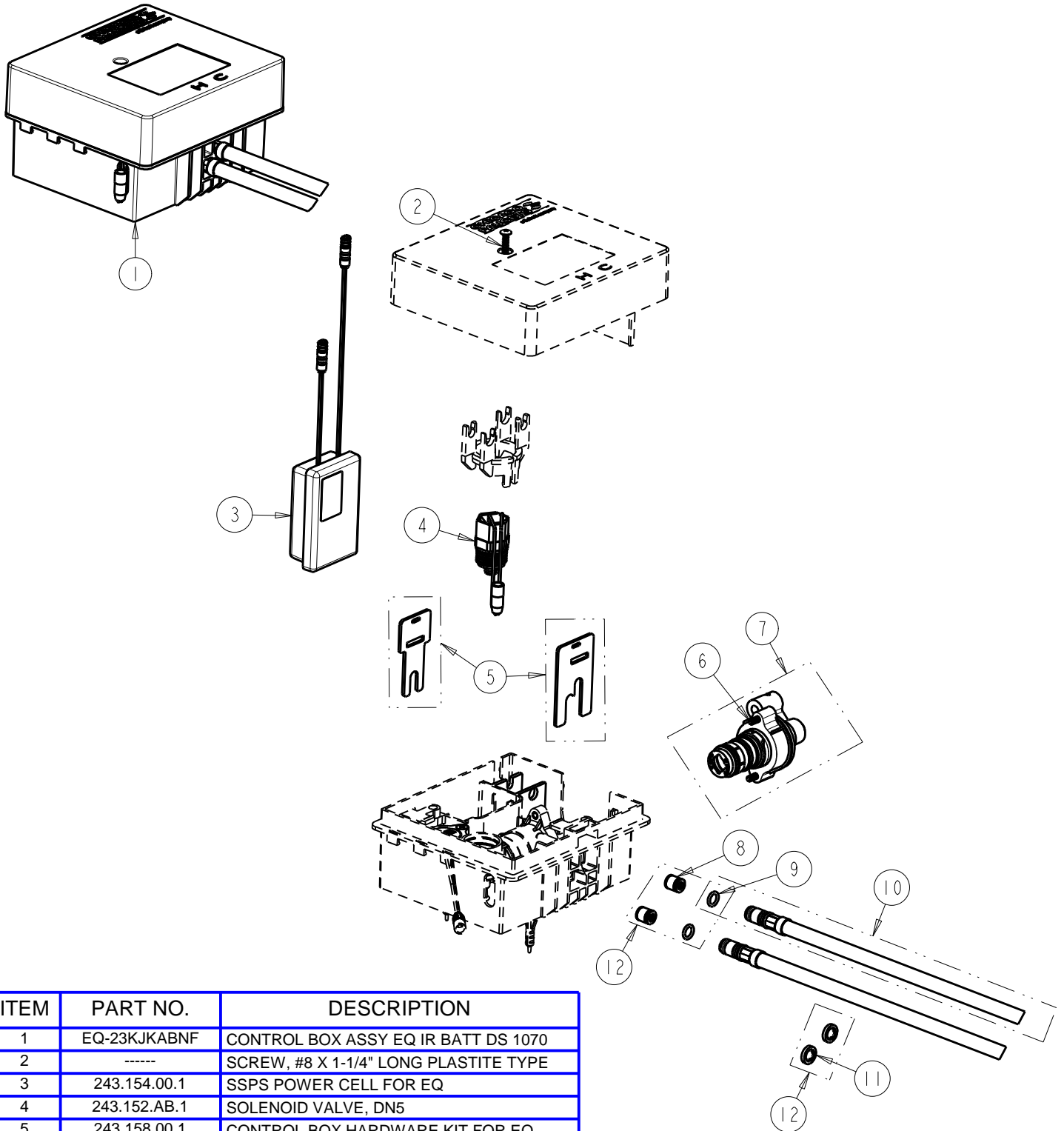
BY: JAR      DATE: 12-08-14  
CHK: *JAR*      REV:

FITTING NO.

**EQ-23KJKABNF**

SUBMITTED MODEL NO.

ITEM NO.



ITEM	PART NO.	DESCRIPTION
1	EQ-23KJKABNF	CONTROL BOX ASSY EQ IR BATT DS 1070
2	-----	SCREW, #8 X 1-1/4" LONG PLASTITE TYPE
3	243.154.00.1	SSPS POWER CELL FOR EQ
4	243.152.AB.1	SOLENOID VALVE, DN5
5	243.158.00.1	CONTROL BOX HARDWARE KIT FOR EQ
6	-----	BONNET HEX SCREW, M4x0.7x16mm
7	243.156.AB.1	REBUILD KIT FOR EQ DS 1070
8	550-009KJKABNF	CHECK-CARTRIDGE
9	-----	O-RING #011, DRINKING WATER COMPLIANT
10	243.157.AB.1	INLET SUPPLY HOSE FOR EQ
11	3300-005JKABNF	FILTER/SCREEN
12	243.159.AB.1	KIT, SEALS AND CHECKS FOR EQ