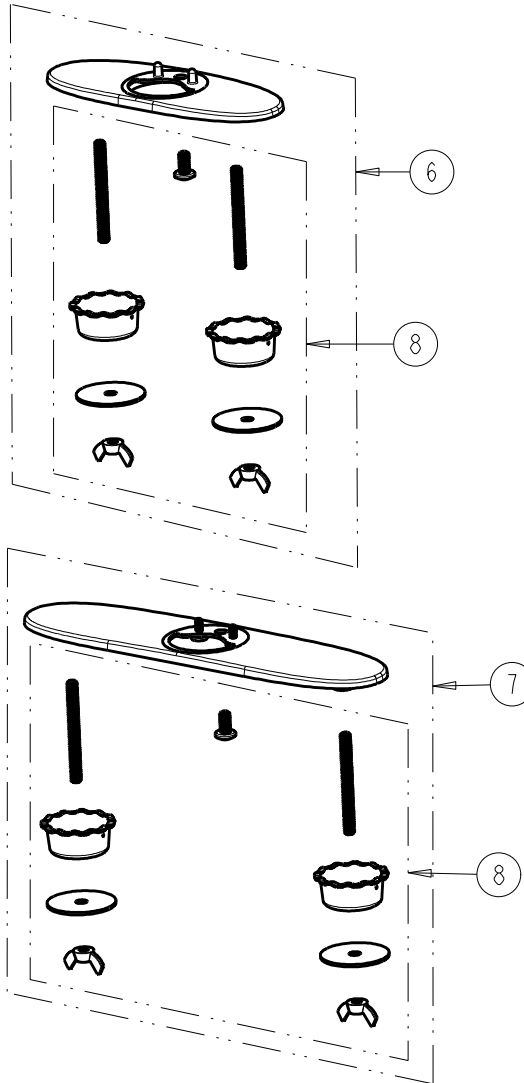
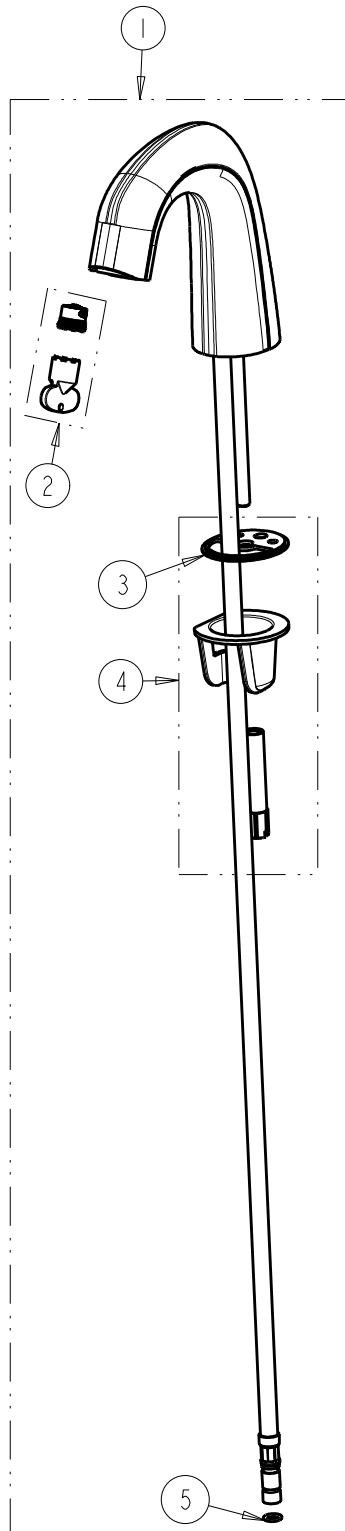


FOR TECHNICAL ASSISTANCE
1-800-TEC-TRUE (1-800-832-8783)



NOTE:
ITEM 3 INCLUDES DECK GASKET FOR EACH SPOUT DESIGN
AND HOSE O-RINGS.

ITEM	PART NO.	DESCRIPTION
1	EQ-D12B-KJKABCP	KIT, EQ CURVED ZINC SPOUT w/ 1.0 GPM
2	243.146.AB.1	KIT, OUTLET FOR EQ 1.0 GPM
3	243.150.AB.1	KIT, SPOUT SEAL EQ SERIES
4	243.147.00.1	KIT, HARDWARE FOR EQ CURVED SPOUT
5	-----	O-RING #011, DRINKING WATER COMPLIANT
6	EQ-A12-KJKCP	KIT, 4" COVER PLATE - EQ CURVED/HIGHARC
7	EQ-A13-KJKCP	KIT, 8" COVER PLATE - EQ CURVED/HIGHARC
8	243.181.00.1	KIT, HARDWARE FOR EQ COVER PLATES

CHICAGO FAUCETS

a Geberit company

2100 South Clearwater Drive
Des Plaines, IL 60018
Phone: 847-803-5000
Fax: 847-803-5454
www.chicagofaucets.com

REPAIR PARTS

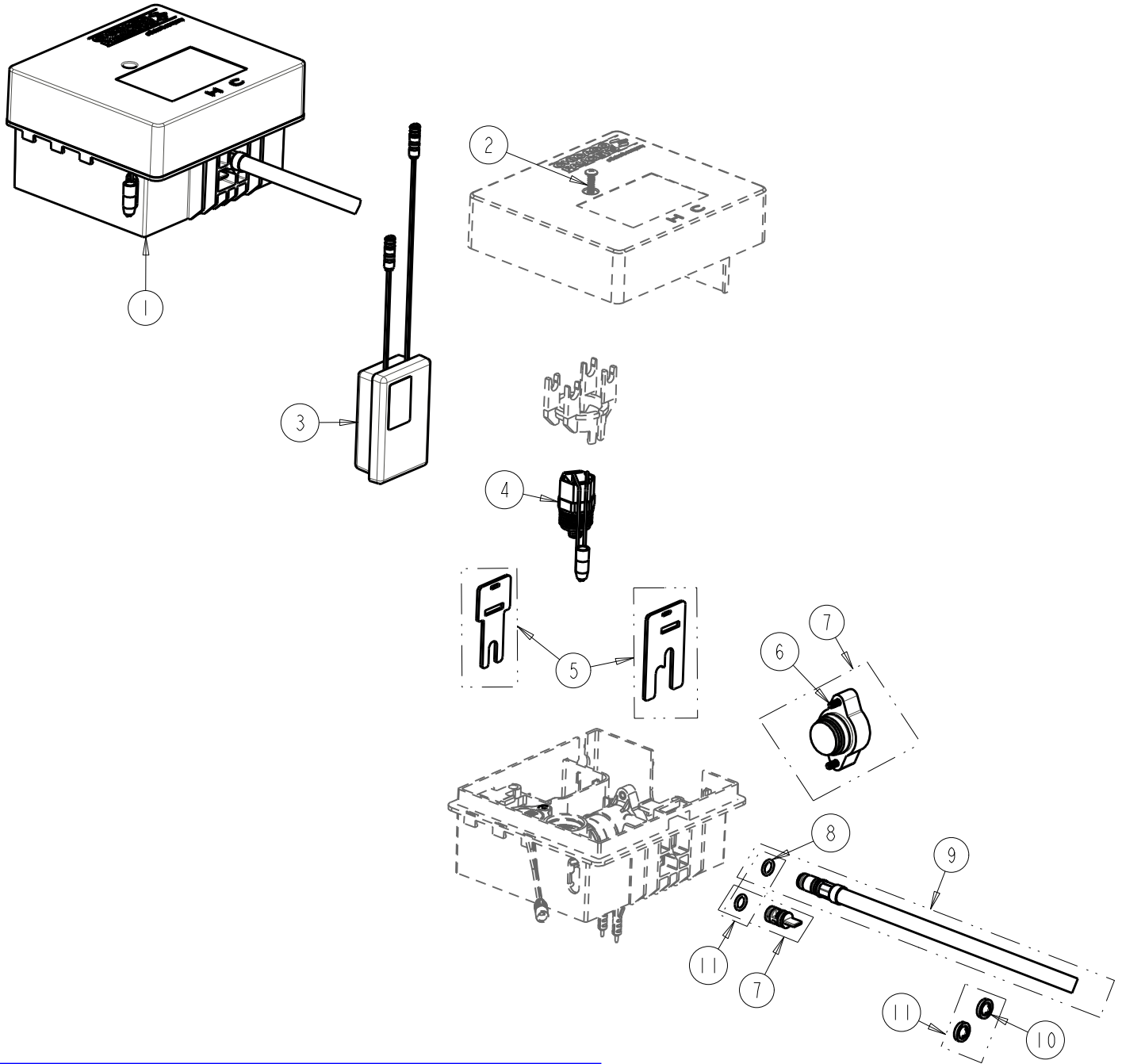
BY: JAR DATE: 12-08-14
CHK: JAR REV:

FITTING NO.
EQ-21KJKABNF

SUBMITTED MODEL NO.

ITEM NO.

FOR TECHNICAL ASSISTANCE
1-800-TEC-TRUE (1-800-832-8783)



ITEM	PART NO.	DESCRIPTION
1	EQ-21KJKABNF	CONTROL BOX ASSY EQ IR SSPS SS NMIX
2	-----	SCREW, #8 X 1-1/4" LONG PLASTITE TYPE
3	243.154.00.1	SSPS POWER CELL FOR EQ
4	243.152.AB.1	SOLENOID VALVE, DN5
5	243.158.00.1	CONTROL BOX HARDWARE KIT FOR EQ
6	-----	BONNET HEX SCREW, M4x0.7x16mm
7	243.180.AB.1	REBUILD KIT FOR EQ SS NMIX
8	-----	O-RING #011, DRINKING WATER COMPLIANT
9	243.157.AB.1	INLET SUPPLY HOSE FOR EQ
10	3300-005JKABNF	FILTER/SCREEN
11	243.159.AB.1	KIT, SEALS AND CHECKS FOR EQ