

CHICAGO FAUCETS

a Geberit company

2100 South Clearwater Drive
Des Plaines, IL 60018
Phone: 847-803-5000
Fax: 847-803-5454
www.chicagofaucets.com

FOR TECHNICAL ASSISTANCE
1-800-TEC-TRUE (1-800-832-8783)

REPAIR PARTS

BY: JAR DATE: 05-04-15
CHK: REV:

FITTING NO.

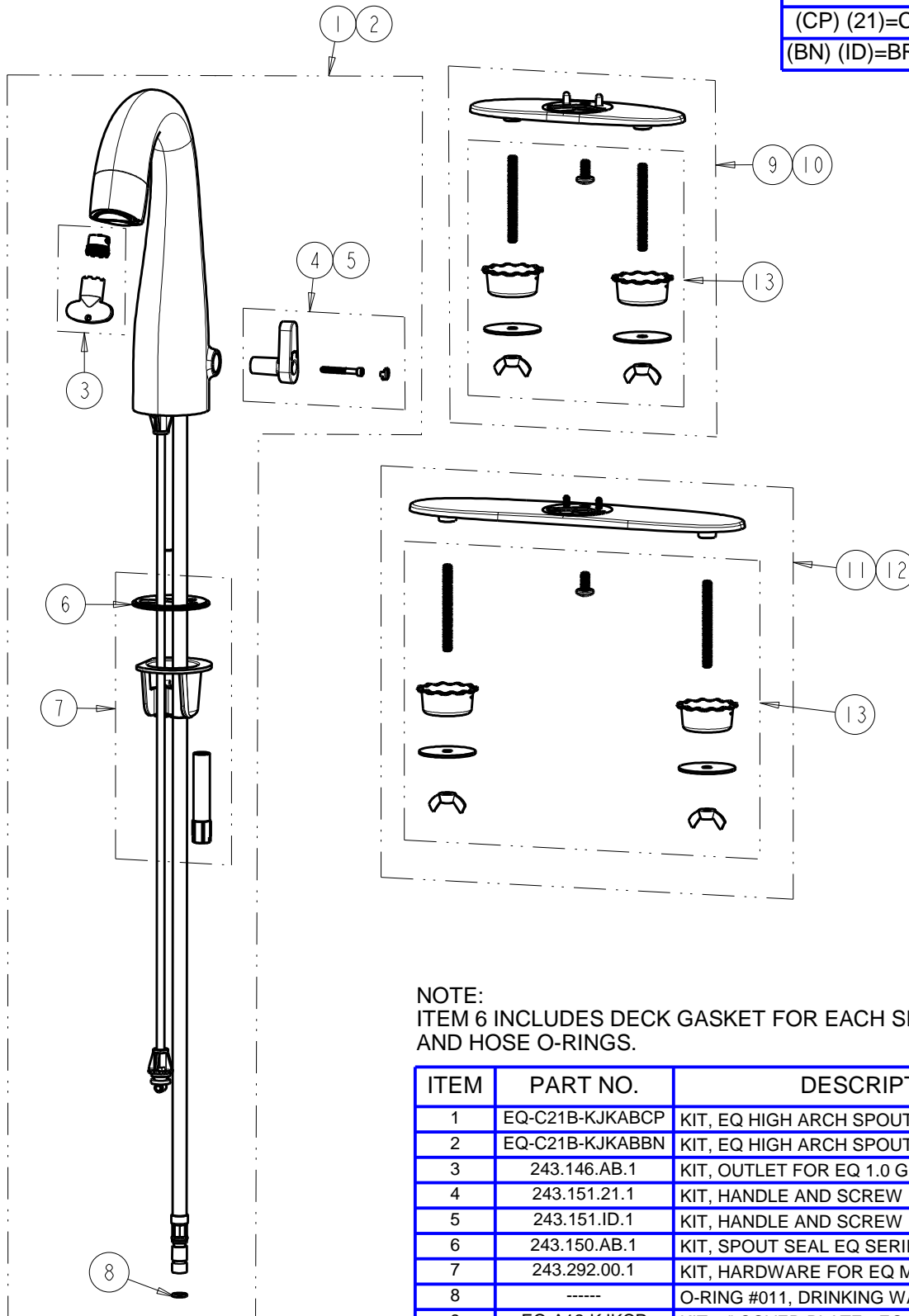
EQ-C2-SSPS_SERIES

SUBMITTED MODEL NO.

ITEM NO.

FINISH OPTIONS

(CP) (21)=CHROME PLATE
(BN) (ID)=BRUSHED NICKEL



NOTE:
ITEM 6 INCLUDES DECK GASKET FOR EACH SPOUT DESIGN AND HOSE O-RINGS.

ITEM	PART NO.	DESCRIPTION
1	EQ-C21B-KJKABCP	KIT, EQ HIGH ARCH SPOUT W/ 1.0 GPM
2	EQ-C21B-KJKABBN	KIT, EQ HIGH ARCH SPOUT W/ 1.0 GPM
3	243.146.AB.1	KIT, OUTLET FOR EQ 1.0 GPM
4	243.151.21.1	KIT, HANDLE AND SCREW
5	243.151.ID.1	KIT, HANDLE AND SCREW
6	243.150.AB.1	KIT, SPOUT SEAL EQ SERIES
7	243.292.00.1	KIT, HARDWARE FOR EQ MIXER SPOUT
8	-----	O-RING #011, DRINKING WATER COMPLIANT
9	EQ-A12-KJKCP	KIT, 4" COVER PLATE - EQ CURVED/HIGHARC
10	EQ-A12-KJKBN	KIT, 4" COVER PLATE - EQ CURVED/HIGHARC
11	EQ-A13-KJKCP	KIT, 8" COVER PLATE - EQ CURVED/HIGHARC
12	EQ-A13-KJKBN	KIT, 8" COVER PLATE - EQ CURVED/HIGHARC
13	243.181.00.1	KIT, HARDWARE FOR EQ COVER PLATES

CHICAGO FAUCETS

a Geberit company

2100 South Clearwater Drive
Des Plaines, IL 60018
Phone: 847-803-5000
Fax: 847-803-5454
www.chicagofaucets.com

REPAIR PARTS

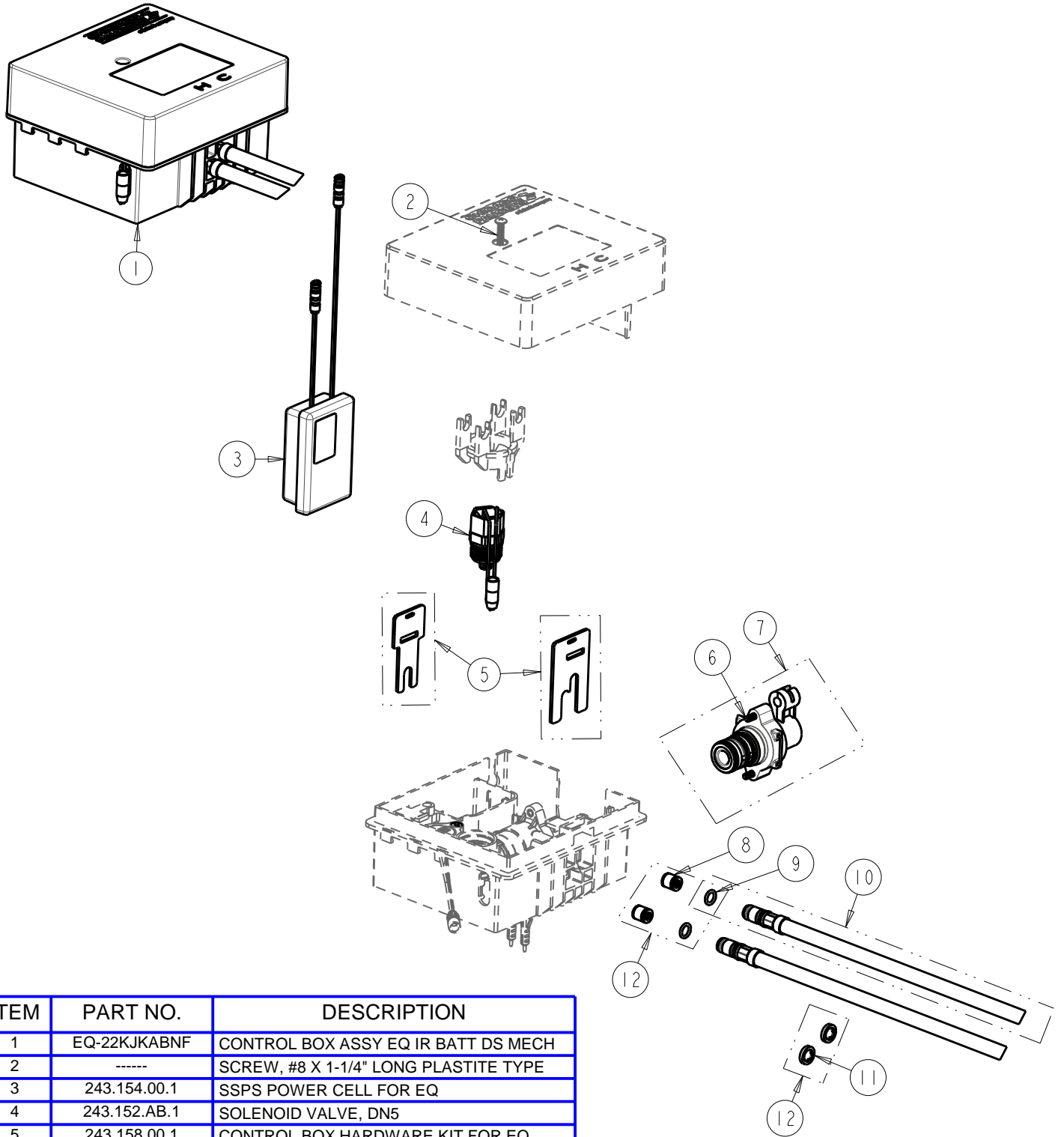
BY: JAR DATE: 12-08-14
CHK: *JAR* REV:

FITTING NO.
EQ-22KJKABNF

SUBMITTED MODEL NO.

ITEM NO.

FOR TECHNICAL ASSISTANCE
1-800-TEC-TRUE (1-800-832-8783)



ITEM	PART NO.	DESCRIPTION
1	EQ-22KJKABNF	CONTROL BOX ASSY EQ IR BATT DS MECH
2	-----	SCREW, #8 X 1-1/4" LONG PLASTITE TYPE
3	243.154.00.1	SSPS POWER CELL FOR EQ
4	243.152.AB.1	SOLENOID VALVE, DN5
5	243.158.00.1	CONTROL BOX HARDWARE KIT FOR EQ
6	-----	BONNET HEX SCREW, M4x0.7x16mm
7	243.155.AB.1	REBUILD KIT FOR EQ DS MECH
8	550-009KJKNF	CHECK-CARTRIDGE
9	-----	O-RING #011, DRINKING WATER COMPLIANT
10	243.157.AB.1	INLET SUPPLY HOSE FOR EQ
11	3300-005JKABNF	FILTER/SCREEN
12	243.159.AB.1	KIT, SEALS AND CHECKS FOR EQ