

CHICAGO FAUCETS
a Geberit company

2100 South Clearwater Drive
Des Plaines, IL 60018
Phone: 847-803-5000
Fax: 847-803-5454
www.chicagofaucets.com

REPAIR PARTS

BY: SID DATE: 04-16-09
CHK: *[Signature]* REV:

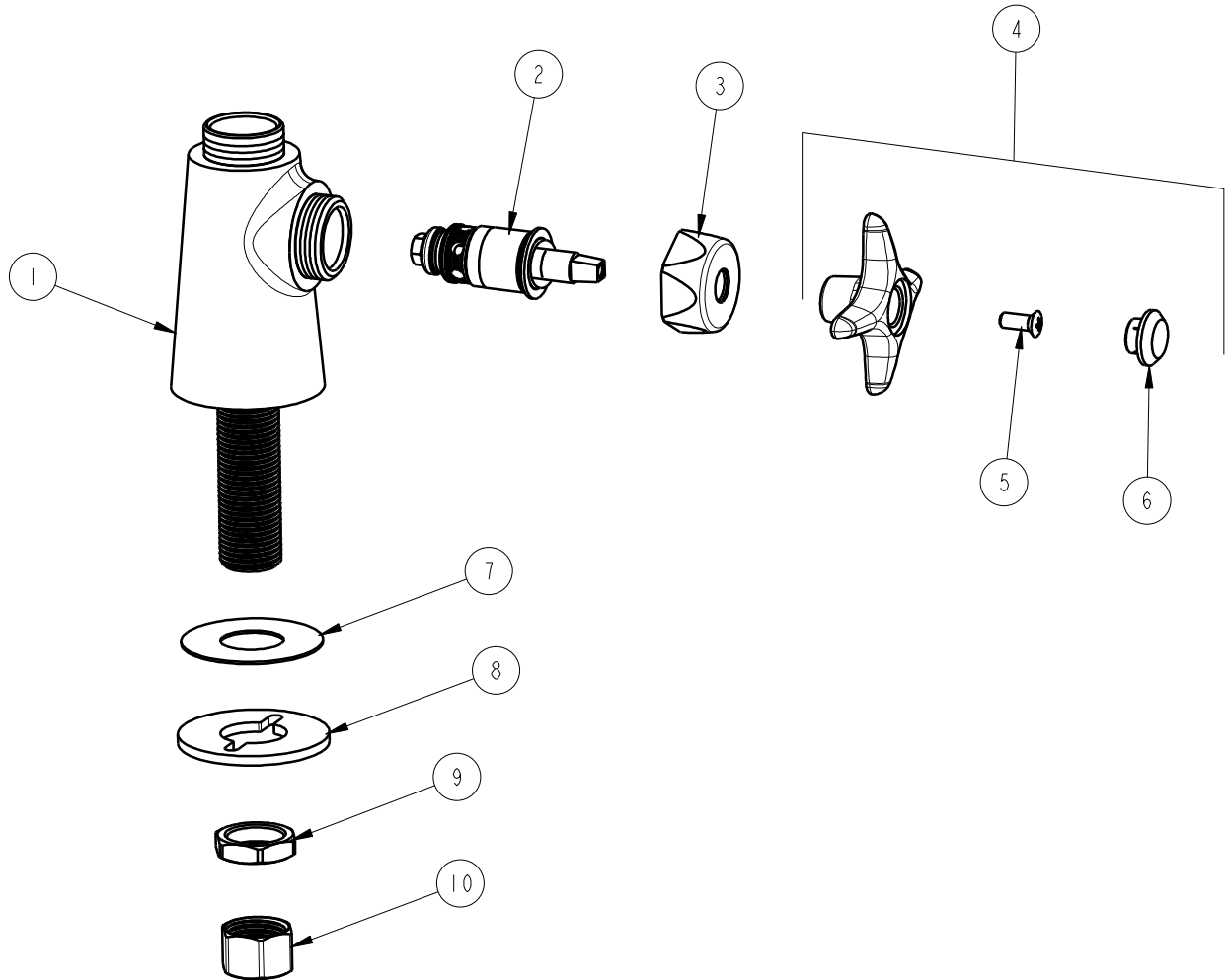
FITTING NO.

927-LESSSPTCP

SUBMITTED MODEL NO.

ITEM NO.

FOR TECHNICAL ASSISTANCE
1-800-TEC-TRUE (1-800-832-8783)



ITEM	PART NO.	DESCRIPTION
1	----	BODY VALVE (NOT SOLD SEPARATELY)
2	217-XTLHJKNF	CARTRIDGE, SLO-COMPRESSION
3	444-005JKCP	CAP
4	204-CWJKCP	HANDLE ASSEMBLY
5	420-010JKRCF	SCREW, 10-32 UNC PH 1/2
6	216-178JKNF	BUTTON 'CW'
7	52-007JKNF	WASHER, RUBBER
8	807-112JKNF	WASHER
9	49-004JKRBF	LOCKNUT
10	49-005JKRBF	COUPLING NUT
11	E7JKCP	SERRATED HOSE NOZZLE