

**CHICAGO FAUCETS**  
a Geberit company

2100 South Clearwater Drive  
Des Plaines, IL 60018  
Phone: 847-803-5000  
Fax: 847-803-5454  
www.chicagofaucets.com

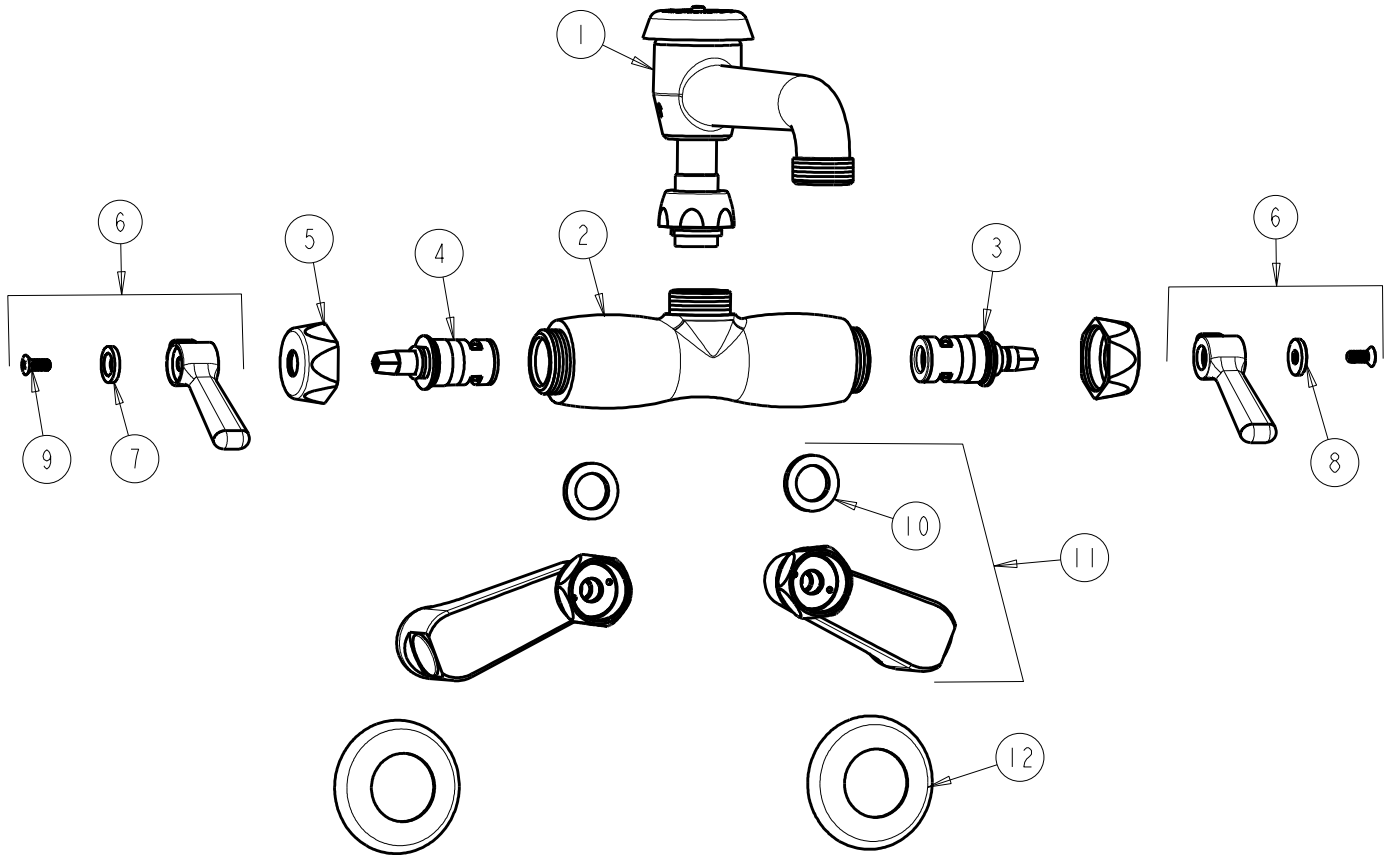
**REPAIR PARTS**

BY: SID DATE: 03-04-11  
CHK: *[Signature]* REV: 11-04-11

FITTING NO.  
**886-RXKCP**  
SUBMITTED MODEL NO.

**FOR TECHNICAL ASSISTANCE**  
1-800-TEC-TRUE (1-800-832-8783)

ITEM NO.



ITEM	PART NO.	DESCRIPTION	ITEM	PART NO.	DESCRIPTION
1	L5VBJKCP	SPOUT, VACUUM BREAKER	7	633-023JKNF	INDEX BUTTON (RED)
2	-----	VALVE BODY (NOT SOLD SEPARATELY)	8	633-123JKNF	INDEX BUTTON (BLUE)
3	1-099XKJKNF	RH CERAMIC CARTRIDGE	9	420-010JKRCF	SCREW, 10-32 UNC PH 1/2
4	1-100XKJKNF	LH CERAMIC CARTRIDGE	10	1-011JKNF	WASHER, .97 X .62 X .12
5	444-005JKCP	CAP	11	RJKABCP	SUPPLY ARM WITH BUILT-IN SHUT-OFF
6	369-PRJKCP	LEVER HANDLE ASSEMBLY (PAIR)	12	1-055JKCP	FLANGE