

CHICAGO FAUCETS
a Geberit company

2100 South Clearwater Drive
Des Plaines, IL 60018
Phone: 847-803-5000
Fax: 847-803-5454
www.chicagofaucets.com

REPAIR PARTS

BY: SID DATE: 03-30-11
CHK: *[Signature]* REV:

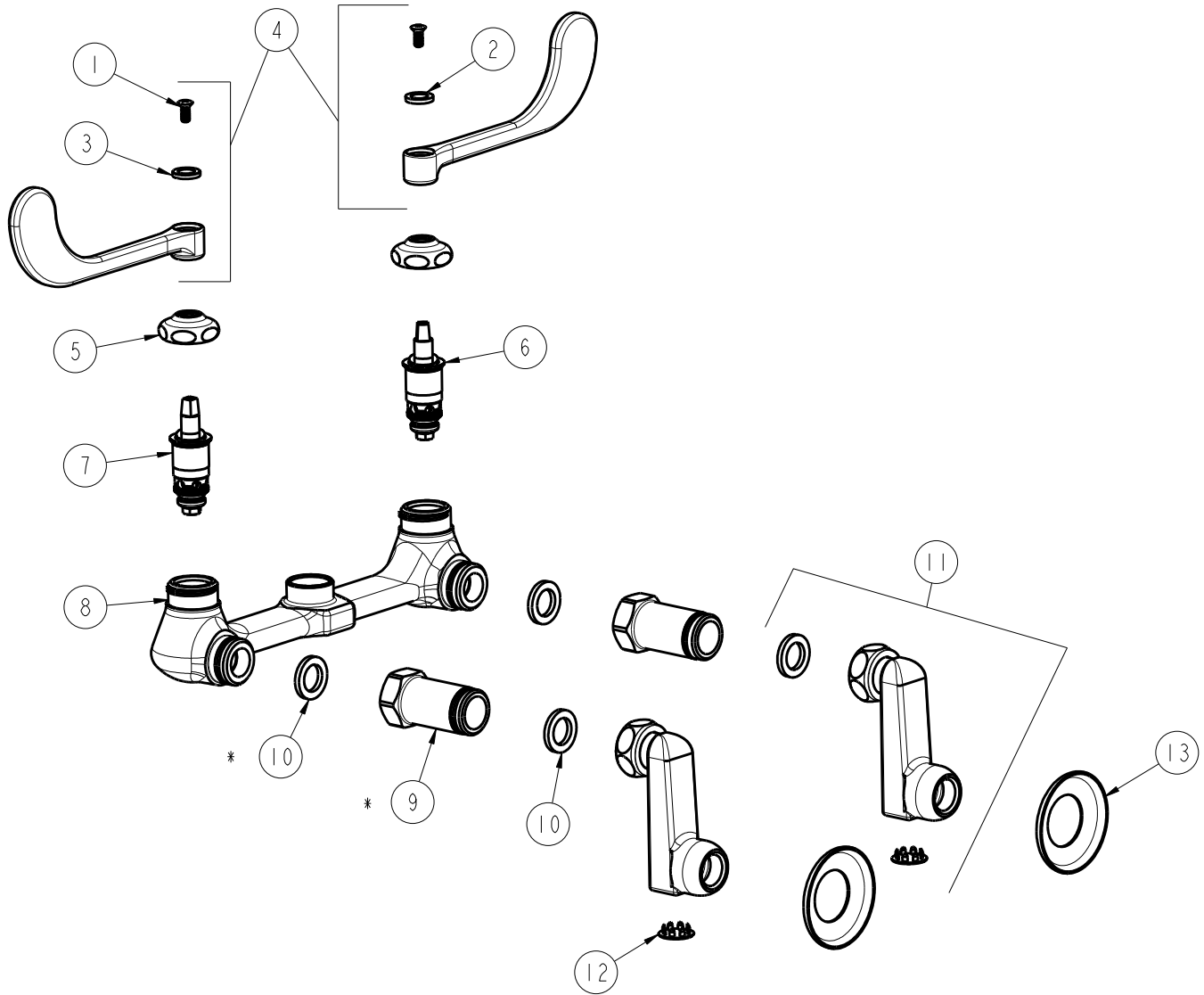
FITTING NO.

814-LESSSPTCP

SUBMITTED MODEL NO.

ITEM NO.

**FOR TECHNICAL ASSISTANCE
1-800-TEC-TRUE (1-800-832-8783)**



* NOTE:
ITEMS 9 AND 10 ARE ADHESIVED TO ITEM 8 AT THE FACTORY BUT ARE AVAILABLE AS REPLACEMENT PARTS.

ITEM	PART NO.	DESCRIPTION	ITEM	PART NO.	DESCRIPTION
1	420-010JKRCF	SCREW, 10-32 UNC PH 1/2	8	-----	VALVE BODY (NOT SOLD SEPARATELY)
2	633-023JKNF	INDEX BUTTON (RED)	9	EX2JKCP	EXTENSION
3	633-123JKNF	INDEX BUTTON (BLUE)	10	1-011JKNF	WASHER, .97 X .62 X .12
4	319-PRJKCP	WRISTBLADE HANDLE (PAIR)	11	RJKCP	SUPPLY ARM WITH BUILT-IN SHUT-OFF
5	1-214JKCP	CAP	12	1-144JKCP	BUTTON
6	1-100XTJKNF	QUATURN UNIT (LH)	13	1-055JKCP	FLANGE
7	1-099XTJKNF	QUATURN UNIT (RH)			