

**CHICAGO FAUCETS**

a Geberit company

2100 South Clearwater Drive  
Des Plaines, IL 60018  
Phone: 847-803-5000  
Fax: 847-803-5454  
www.chicagofaucets.com

**FOR TECHNICAL ASSISTANCE**  
1-800-TEC-TRUE (1-800-832-8783)

**REPAIR PARTS**

BY: SID DATE: 11-30-06

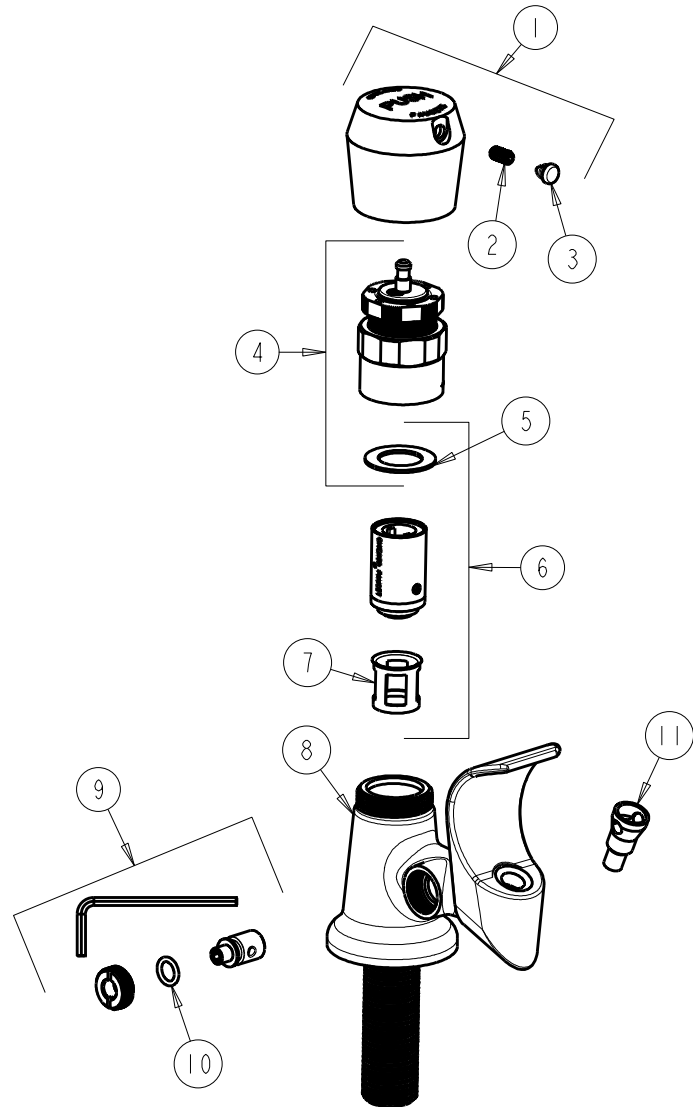
CHK: *[Signature]* REV: 11-30-11

FITTING NO.

**748-665CP**

SUBMITTED MODEL NO.

ITEM NO.



ITEM	PART NO.	DESCRIPTION
1	665-PSHJKCP	HANDLE, PUSH CAP
2	665-116JKNF	SET SCREW
3	665-309KJKNF	BUTTONS, HOT AND COLD
4	665-190KJKNF	ACTUATOR ASSEMBLY
5	665-011JKNF	WASHER, SEALING
6	672-XJKNF	METERING CARTRIDGE, LESS PIN
7	667-402JKNF	MVP FILTER
8	---	BODY (NOT SOLD SEPARATELY)
9	748-012KJKNF	FLOW CONTROL, KIT
10	319-040JKNF	O-RING
11	653-008JKCP	NOZZLE
12	1001-002JKNF	GASKET
13	1020-004JKNF	FLOW CONTROL 0.74 GPM MAX
14	722-015KJKRBF	ADAPTER, FLOW CONTROL 0.74GPM
15	748-013KJKNF	MOUNTING KIT
16	807-112JKNF	WASHER
17	49-004JKRBF	LOCKNUT
18	49-005JKRBF	COUPLING NUT

