



a Geberit company

2100 South Clearwater Drive
Des Plaines, IL 60018
Phone: 847-803-5000
Fax: 847-803-5454
www.chicagofaucets.com

REPAIR PARTS

BY: SID DATE: 06-22-09
CHK: *[Signature]* REV:

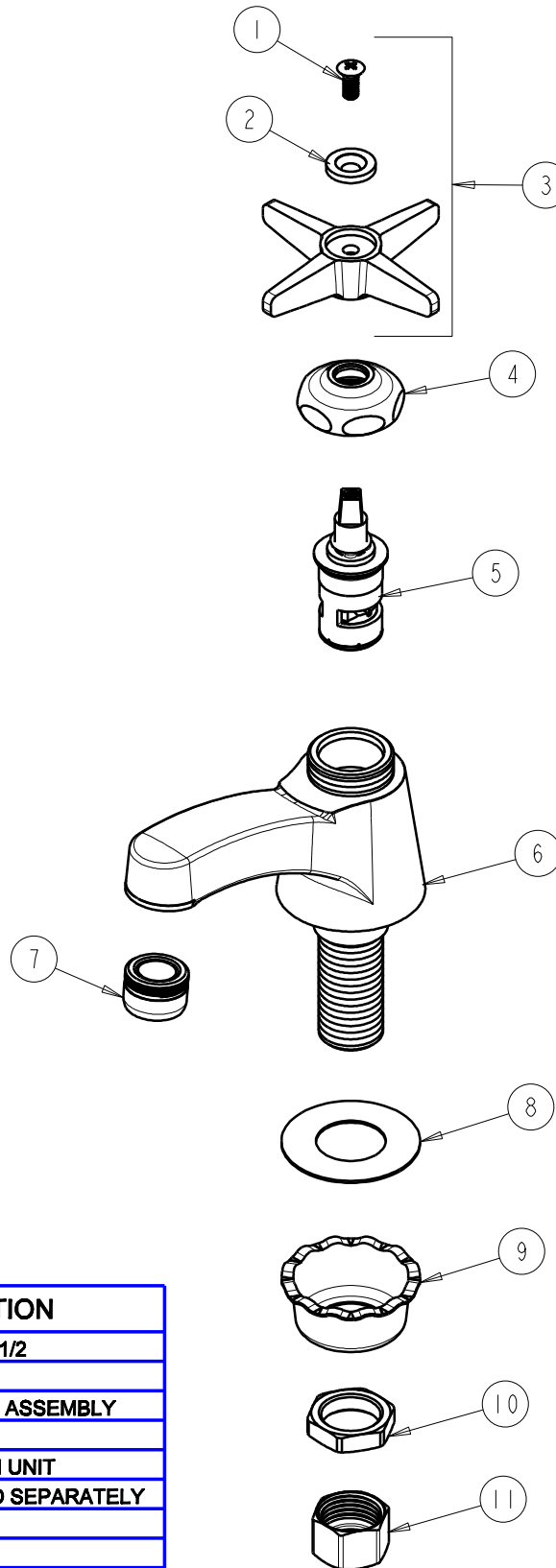
FITTING NO.

700-HOTXKCP

SUBMITTED MODEL NO.

ITEM NO.

FOR TECHNICAL ASSISTANCE
1-800-TEC-TRUE (1-800-832-8783)



ITEM	PART NO.	DESCRIPTION
1	420-010JKRCF	SCREW, 10-32 UNC PH 1/2
2	633-023JKNF	INDEX BUTTON (RED)
3	633-HOTJKCP	4-ARM CROSS HANDLE ASSEMBLY
4	1-214JKCP	CAP
5	1-100XKJKNF	LH CERAMIC QUATURN UNIT
6	---	VALVE BODY, NOT SILD SEPARATELY
7	E12JKCP	SOFTFLO OUTLET
8	333-103JKNF	RUBBER WASHER
9	1797-114JKNF	BASIN COCK WASHER
10	49-004JKRBF	LOCKNUT
11	49-005JKRBF	COUPLING NUT