

# PARTS LIST

BY: JAR



FINISH:

AS SPECIFIED

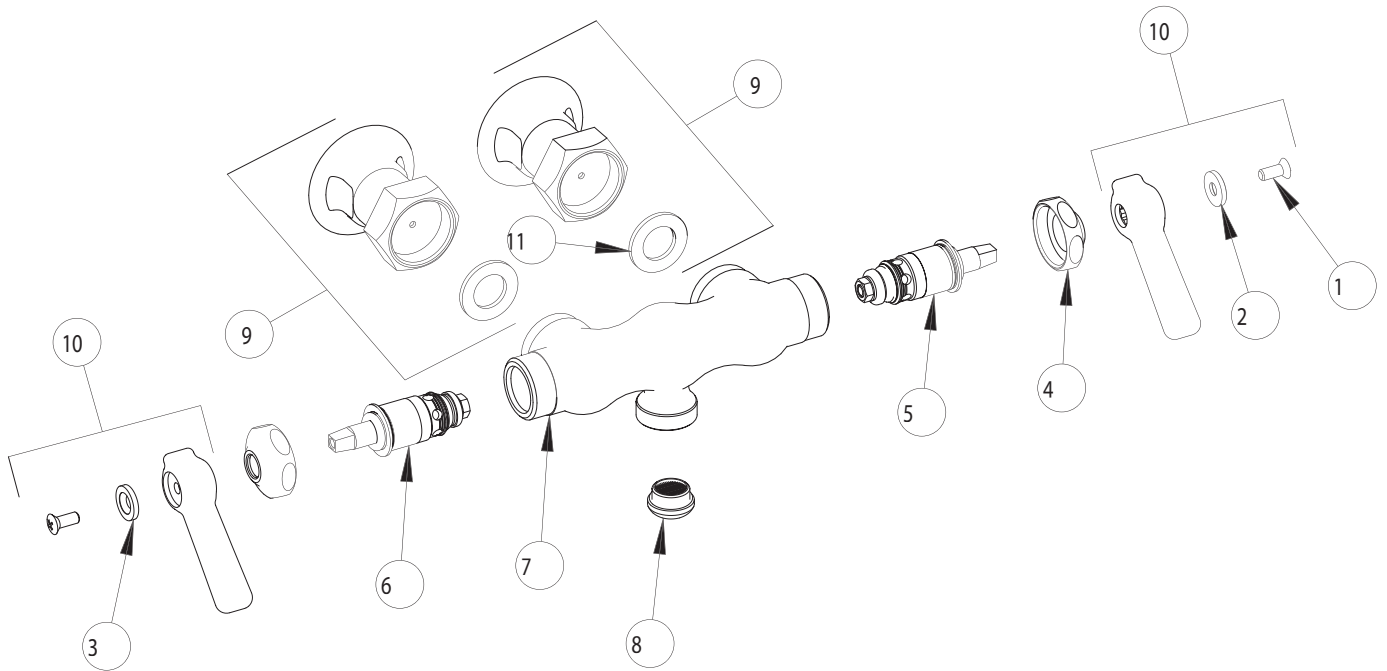
CHK'D:

DATE:

8-22-01

65-261CP

65-261RCF



ITEM NO.	PART NO.	DESCRIPTION
1	420-010	SCREW
2	633-123	INDEX BUTTON (BLUE)
3	633-023	INDEX BUTTON (RED)
4	1-214	CAP
5	1-099XT	QUATURN UNIT (RH)
6	1-100XT	QUATURN UNIT (LH)
7	-----	VALVE BODY (NOT SOLD SEPARATELY)
8	E1M	E1M QUIXTOP OUTLET
9	261	SHANK ASSEMBLY
10	369PR	LEVER HANDLE ASSEMBLY
11	65-006	WASHER