

**CHICAGO FAUCETS**  
a Geberit company

2100 South Clearwater Drive  
Des Plaines, IL 60018  
Phone: 847-803-5000  
Fax: 847-803-5454  
www.chicagofaucets.com

**REPAIR PARTS**

BY: SID DATE: 11-19-19  
CHK: ~~042~~ REV:

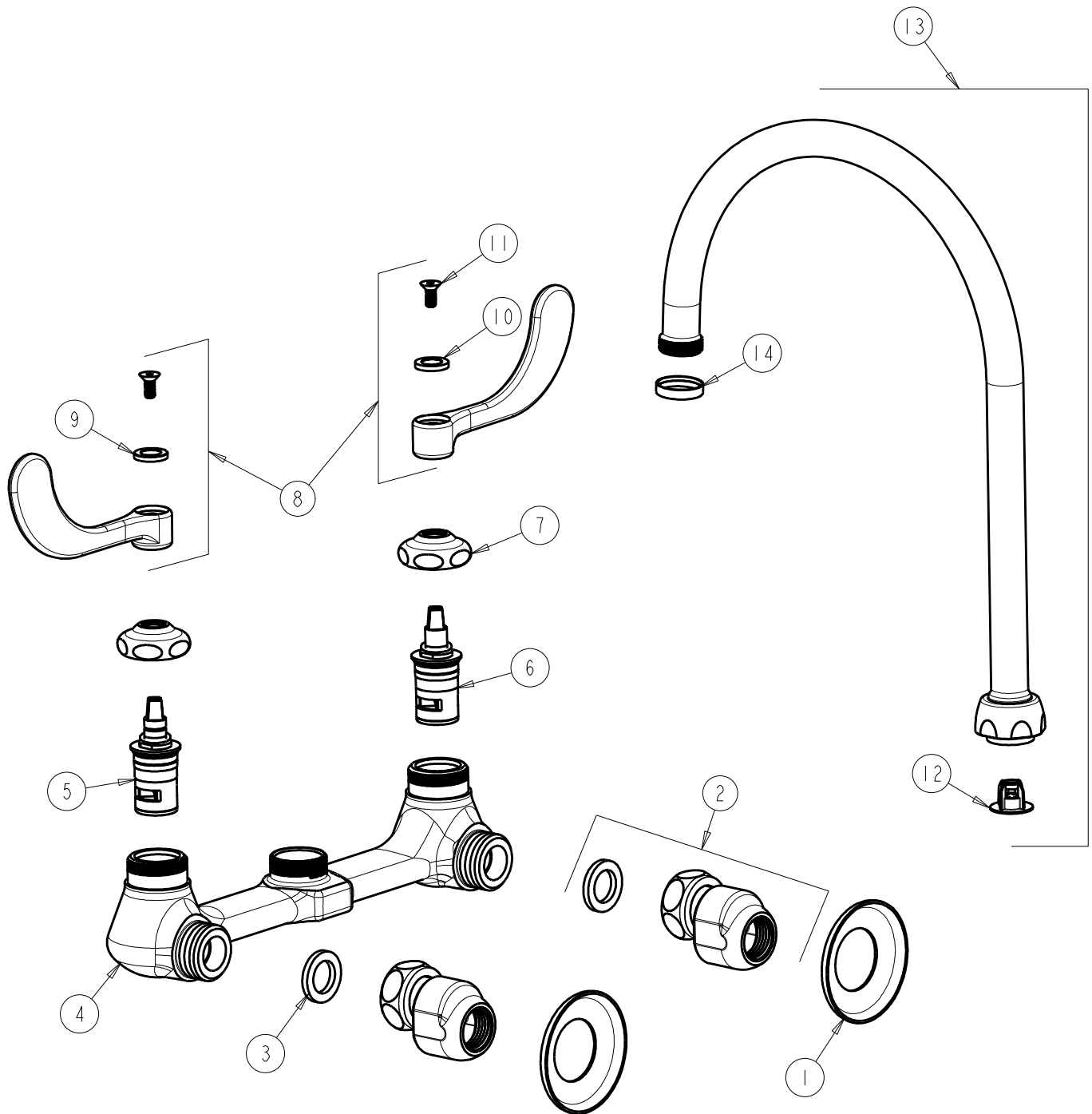
FITTING NO.

631-GN8FCABCP

SUBMITTED MODEL NO.

ITEM NO.

**FOR TECHNICAL ASSISTANCE**  
1-800-TEC-TRUE (1-800-832-8783)



ITEM	PART NO.	DESCRIPTION	ITEM	PART NO.	DESCRIPTION
1	1-055JKCP	FLANGE	8	317-PRJKCP	HANDLE, 4" WRISTBLADE (PAIR)
2	GJKABCP	ARM ASSEMBLY w/WASHER	9	633-123JKNF	INDEX BUTTON (BLUE)
3	1-011JKABNF	WASHER, .97 X .62 X .12	10	633-023JKNF	INDEX BUTTON (RED)
4	----	VALVE BODY (NOT SOLD SEPARATELY)	11	420-020JKNF	SCREW, 1/8 FLAT HEX HEAD X 1/2
5	1-099XKJKABNF	RH CERAMIC CARTRIDGE 1/4	12	50-043KJKABNF	FLOW CONTROL 1.5 GPM
6	1-100XKJKABNF	LH CERAMIC CARTRIDGE 1/4	13	GN8FCJKABCP	SPOUT, GN 8" C-C w/ 1.5 GPM FC
7	1-214JKCP	CAP	14	1-159JKCP	SPOUT END RING