

CHICAGO FAUCETS
a Geberit company

2100 South Clearwater Drive
Des Plaines, IL 60018
Phone: 847-803-5000
Fax: 847-803-5454
www.chicagofaucets.com

REPAIR PARTS

FITTING NO.

540-LDLESSHDLCP

SUBMITTED MODEL NO.

BY: SID

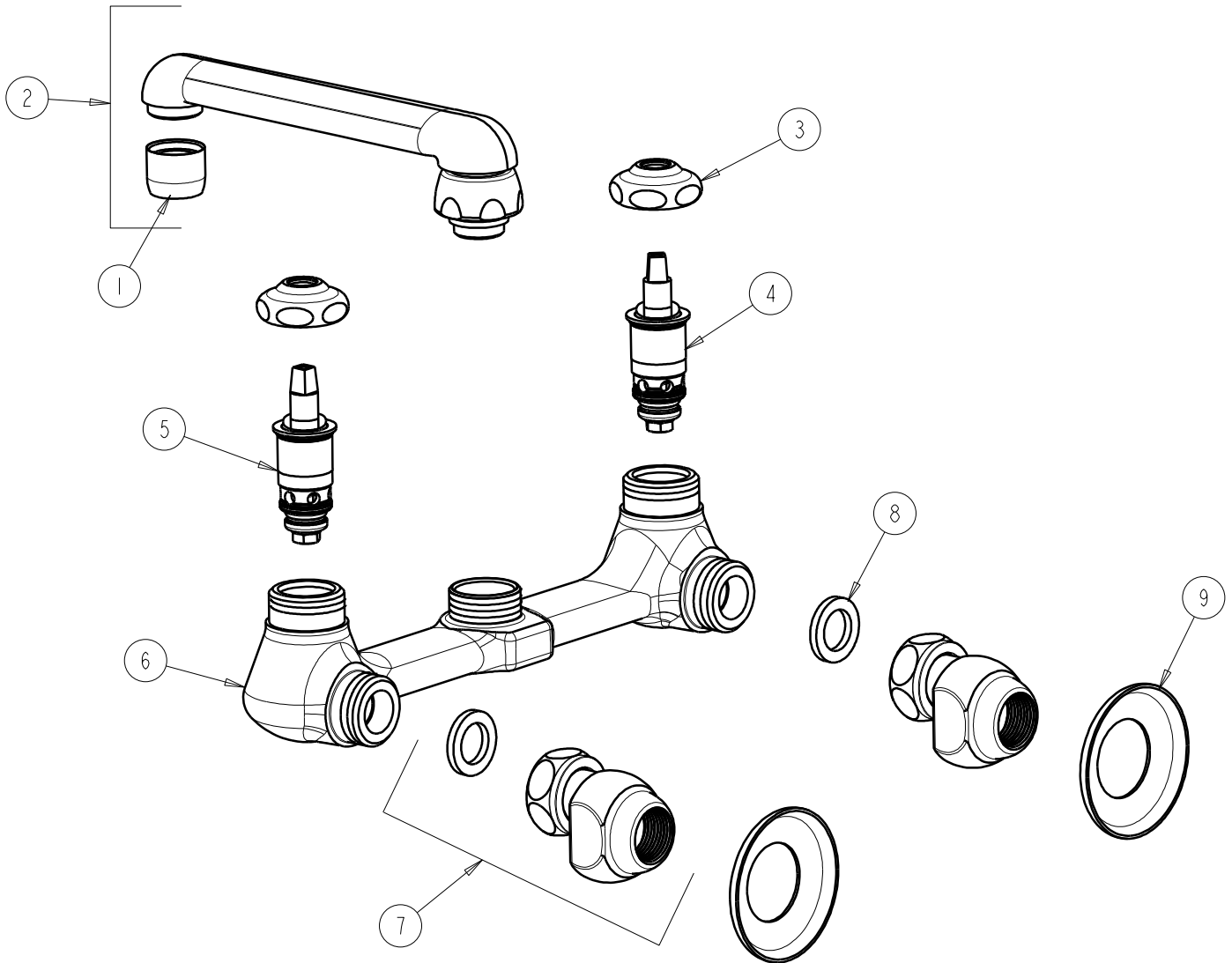
DATE: 02-25-09

CHK: *[Signature]*

REV:

ITEM NO.

FOR TECHNICAL ASSISTANCE
1-800-TEC-TRUE (1-800-832-8783)



ITEM	PART NO.	DESCRIPTION	ITEM	PART NO.	DESCRIPTION
1	E3JKCP	SOFTFLO OUTLET	6	-----	VALVE BODY (NOT SOLD SEPARATELY)
2	S6JKCP	FOR PARTS SEE S6JKCP	7	GJKCP	'G' ARM (INCLUDES WASHER)
3	1-214JKCP	CAP	8	1-011JKNF	WASHER, .97 X .62 X .12
4	1-100XTJKNF	QUATURN UNIT (LH)	9	1-055JKCP	FLANGE
5	1-099XTJKNF	QUATURN UNIT (RH)			