

**CHICAGO FAUCETS**  
a Geberit company

2100 South Clearwater Drive  
Des Plaines, IL 60018  
Phone: 847-803-5000  
Fax: 847-803-5454  
www.chicagofaucets.com

**REPAIR PARTS**

FITTING NO.

**540-LDL15E1WXFCP**

SUBMITTED MODEL NO.

BY: SID

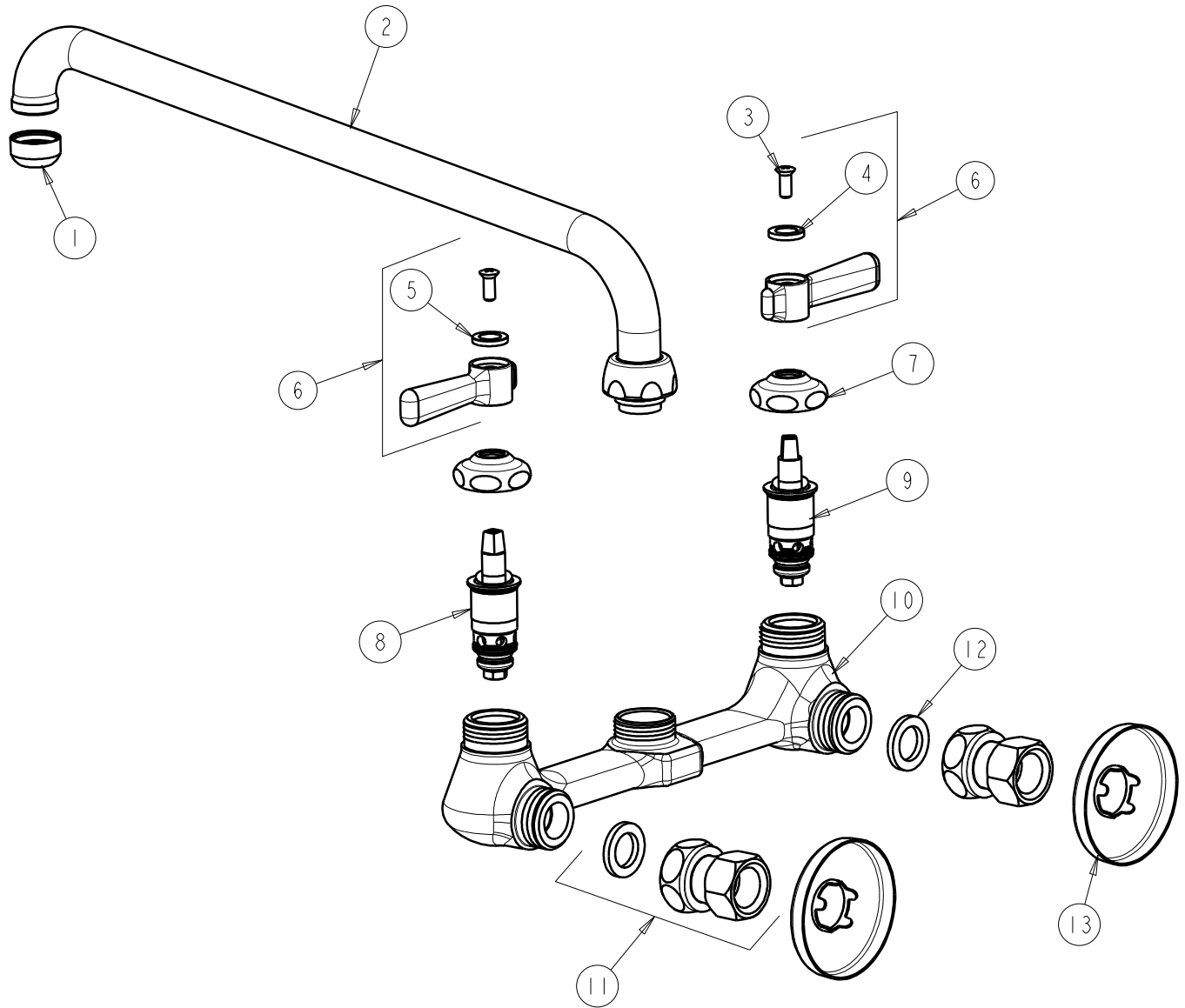
DATE: 02-13-09

CHK: *[Signature]*

REV:

ITEM NO.

**FOR TECHNICAL ASSISTANCE**  
**1-800-TEC-TRUE (1-800-832-8783)**



ITEM	PART NO.	DESCRIPTION	ITEM	PART NO.	DESCRIPTION
1	E1JKRCF	QUIXTOP OUTLET	8	1-099XTJKNF	QUATURN UNIT (RH)
2	L15LESSE3JKCP	TUBE SPOUT ASSEMBLY	9	1-100XTJKNF	QUATURN UNIT (LH)
3	420-010JKRCF	SCREW, 10-32 UNC PH 1/2	10	-----	VALVE BODY (NOT SOLD SEPARATELY)
4	633-023JKNF	INDEX BUTTON (RED)	11	WXFJKCP	ADAPTER ASSEMBLY WITH FLANGE
5	633-123JKNF	INDEX BUTTON (BLUE)	12	1-011JKNF	WASHER, .97 X .62 X .12
6	369-PRJKCP	LEVER HANDLE ASSEMBLY (PAIR)	13	749-016JKCP	FLANGE
7	1-214JKCP	CAP			