

CHICAGO FAUCETS
a Geberit company

2100 South Clearwater Drive
Des Plaines, IL 60018
Phone: 847-803-5000
Fax: 847-803-5454
www.chicagofaucets.com

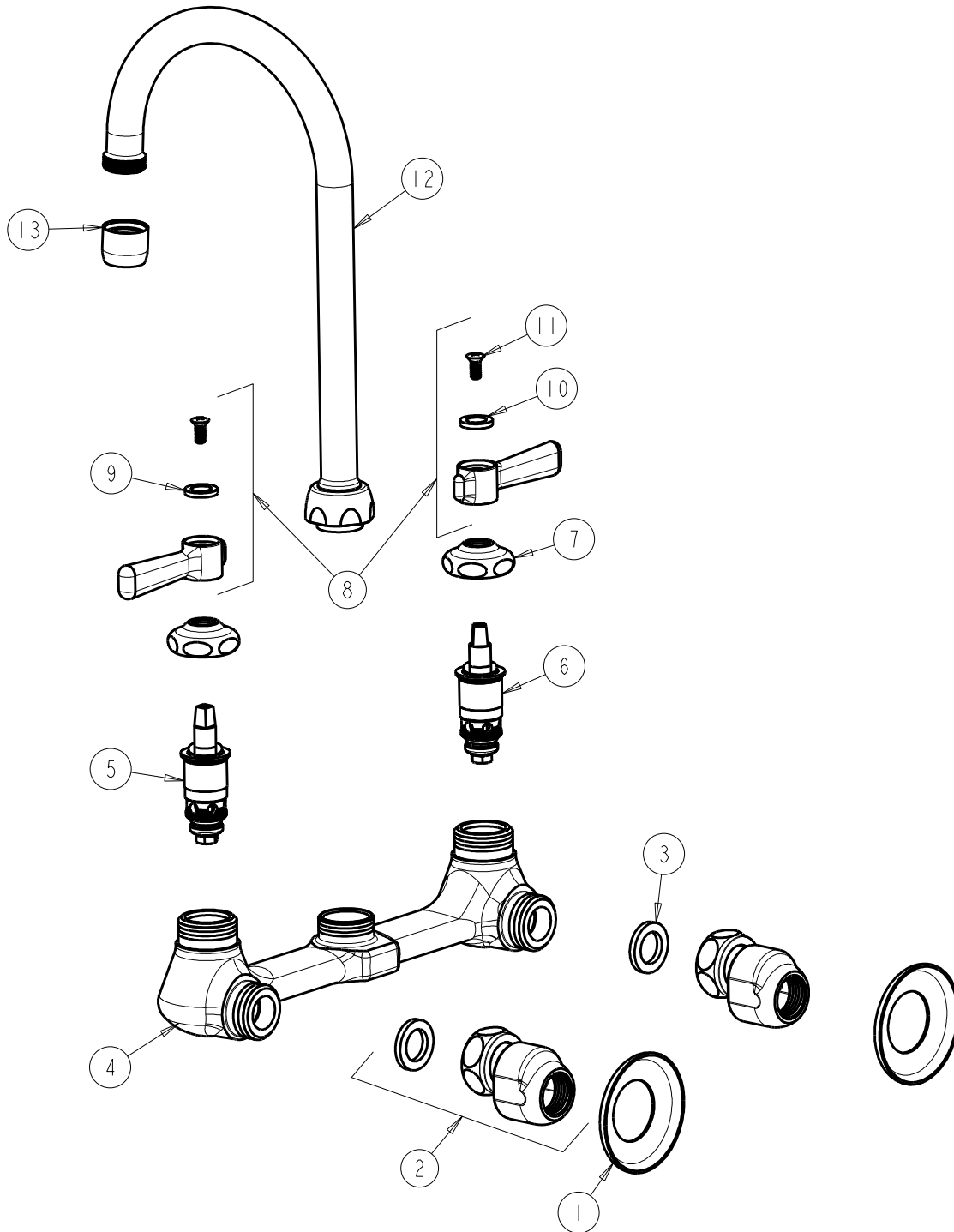
REPAIR PARTS

FITTING NO.
540-LDGN2AE3CP
SUBMITTED MODEL NO.

FOR TECHNICAL ASSISTANCE
1-800-TEC-TRUE (1-800-832-8783)

BY: JAR DATE: 10-12-11
CHK: *[Signature]* REV:

ITEM NO.



ITEM	PART NO.	DESCRIPTION	ITEM	PART NO.	DESCRIPTION
1	1-055JKCP	FLANGE	8	369-PRJKCP	LEVER HANDLE ASSEMBLY (PAIR)
2	GJKABCP	ARM ASSEMBLY 'G'	9	633-123JKNF	INDEX BUTTON (BLUE)
3	1-011JKNF	WASHER, .97 X .62 X .12	10	633-023JKNF	INDEX BUTTON (RED)
4	---	VALVE BODY (NOT SOLD SEPARATELY)	11	420-010JKRCF	SCREW, 10-32 UNC PH 1/2
5	1-099XTJKNF	QUATURN UNIT (RH)	12	GN2AJKCP	GN SPOUT-A TYPE END
6	1-100XTJKNF	QUATURN UNIT (LH)	13	E3JKCP	SOFTFLO AERATOR
7	1-214JKCP	CAP			