

CHICAGO FAUCETS
a Geberit company

2100 South Clearwater Drive
Des Plaines, IL 60018
Phone: 847-803-5000
Fax: 847-803-5454
www.chicagofaucets.com

REPAIR PARTS

FITTING NO.

50-GN8AE3-317XKCP

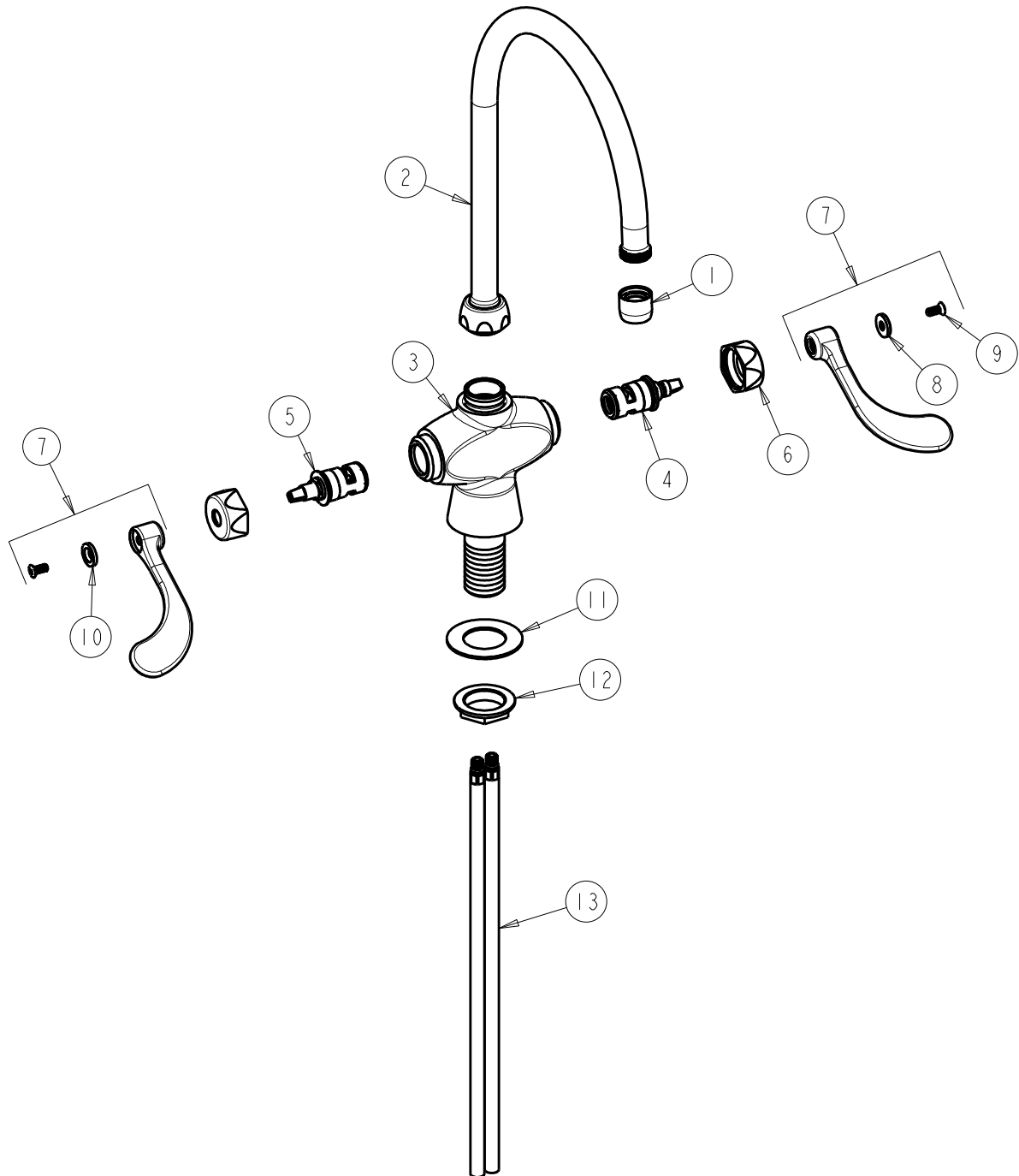
SUBMITTED MODEL NO.

BY: SID DATE: 05-22-12

CHK: *[Signature]* REV:

ITEM NO.

FOR TECHNICAL ASSISTANCE
1-800-TEC-TRUE (1-800-832-8783)



ITEM	PART NO.	DESCRIPTION	ITEM	PART NO.	DESCRIPTION
1	E3JKCP	SOFTFLO AERATOR 2.2 GPM	8	633-123JKNF	INDEX BUTTON (BLUE)
2	GN8AJKCP	SPOUT	9	420-010JKRCF	SCREW, 10-32 UNC PH 1/2
3	-----	VALVE BODY (NOT SOLD SEPARATELY)	10	633-023JKNF	INDEX BUTTON (RED)
4	1-099XKJKNF	RH CERAMIC QUATURN UNIT	11	50-014JKNF	STEEL WASHER
5	1-100XKJKNF	LH CERAMIC QUATURN UNIT	12	50-003JKRBF	LOCKNUT
6	444-005JKCP	CAP	13	50-101KJKNF	SUPPLY TUBE ASSEMBLY
7	317-PRJKCP	HANDLE, 4" WRISTBLADE (PAIR)			