

**CHICAGO FAUCETS**  
a Geberit company

2100 South Clearwater Drive  
Des Plaines, IL 60018  
Phone: 847-803-5000  
Fax: 847-803-5454  
www.chicagofaucets.com

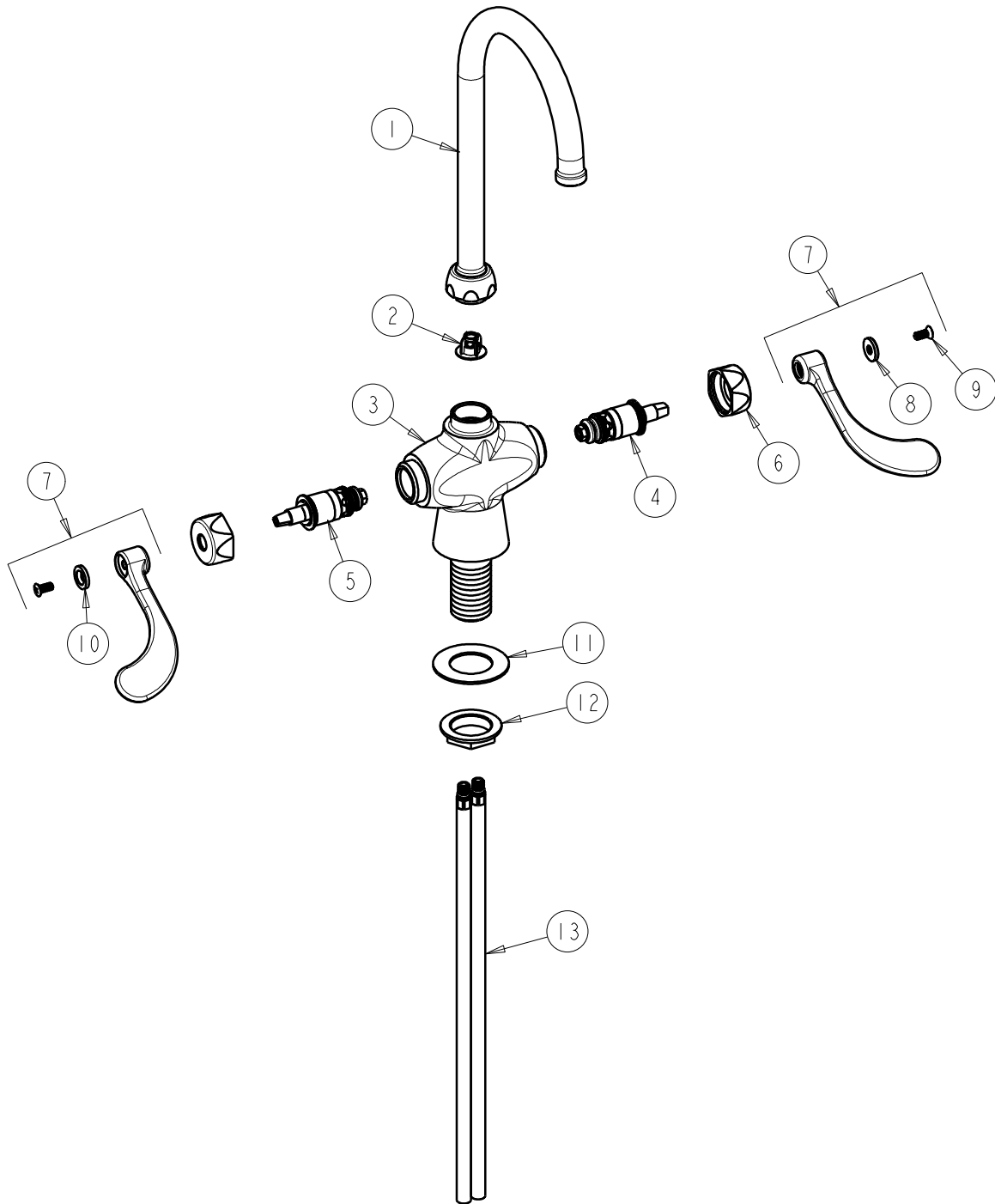
**REPAIR PARTS**

BY: SID DATE: 02-25-09  
CHK: *[Signature]* REV: 02-18-10

FITTING NO.  
**50-GN2FC317CP**  
SUBMITTED MODEL NO.

**FOR TECHNICAL ASSISTANCE**  
1-800-TEC-TRUE (1-800-832-8783)

ITEM NO.



ITEM	PART NO.	DESCRIPTION	ITEM	PART NO.	DESCRIPTION
1	GN2JKCP	GN SPOUT PLAIN END	8	633-123JKNF	INDEX BUTTON (BLUE)
2	50-043KJKNF	FLOW CONTROL 1.5 GPM	9	420-010JKRCF	SCREW, 10-32 UNC PH 1/2
3	-----	VALVE BODY (NOT SOLD SEPARATELY)	10	633-023JKNF	INDEX BUTTON (RED)
4	1-099XTJKNF	QUATURN UNIT (RH)	11	50-014JKNF	STEEL WASHER
5	1-100XTJKNF	QUATURN UNIT (LH)	12	50-003JKRBF	LOCKNUT
6	444-005JKCP	CAP	13	50-101KJKNF	SUPPLY TUBE ASSEMBLY
7	317-PRJKCP	HANDLE, 4" WRISTBLADE (PAIR)			