



a Geberit company

2100 South Clearwater Drive
Des Plaines, IL 60018
Phone: 847-803-5000
Fax: 847-803-5454
www.chicagofaucets.com

REPAIR PARTS

BY: SID DATE: 10-17-11

CHK: *[Signature]* REV:

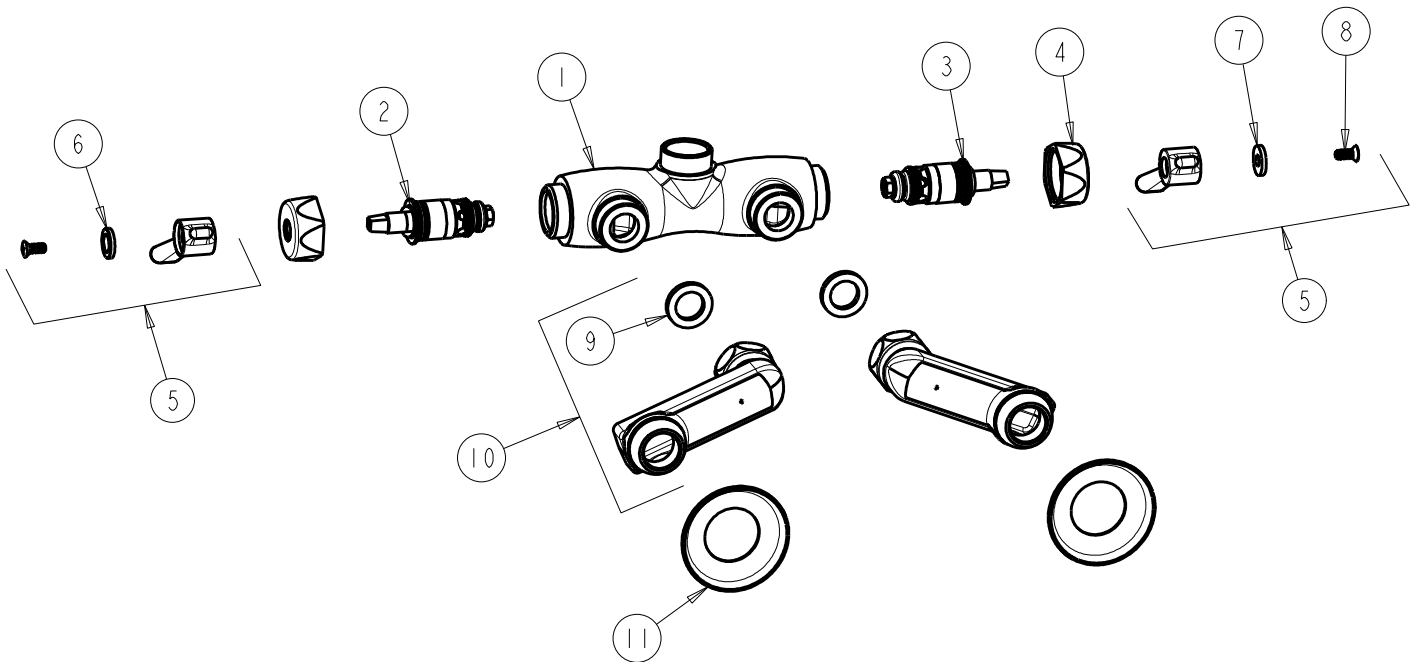
FITTING NO.

445-LESSSPTABCP

SUBMITTED MODEL NO.

ITEM NO.

FOR TECHNICAL ASSISTANCE
1-800-TEC-TRUE (1-800-832-8783)



ITEM	PART NO.	DESCRIPTION	ITEM	PART NO.	DESCRIPTION
1	—	VALVE BODY (NOT SOLD SEPARATELY)	7	633-023JKNF	INDEX BUTTON (RED)
2	1-099XTJKABNF	QUATURN CARTRIDGE (RH)	8	420-010JKRCF	SCREW, 10-32 UNC PH 1/2
3	1-100XTJKABNF	QUATURN UNIT (LH)	9	1-011JKNF	WASHER, .97 X .62 X .12
4	444-005JKCP	CAP	10	HJKABCP	'H' ARM ASSEMBLY w/WASHER
5	369-PRJKCP	LEVER HANDLE ASSEMBLY (PAIR)	11	1-055JKCP	FLANGE
6	633-123JKNF	INDEX BUTTON (BLUE)			