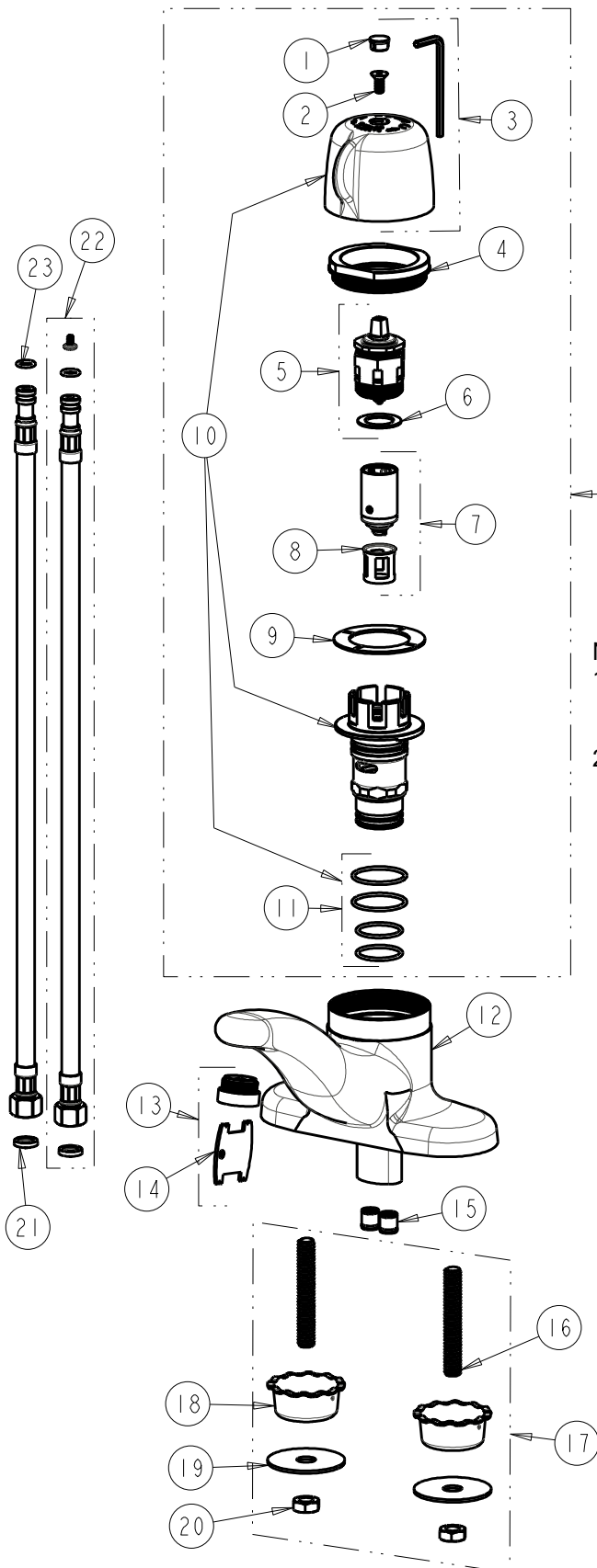


FOR TECHNICAL ASSISTANCE
1-800-TEC-TRUE (1-800-832-8783)



NOTES:

1. ORDER 3300-006JKNF WASHER (#6) WHEN ORDERING 671-XJKABNF CARTRIDGE (#7) (WASHER IS SOLD SEPARATELY)
2. IF A NEW HANDLE (#3) IS REQUIRED, AND THE FAUCET WAS PURCHASED BEFORE AUGUST 2017, ORDER KIT ITEM #10.

ITEM	PART NO.	DESCRIPTION
1	2500-005JKCP	HANDLE BUTTON
2	420-020JKNF	SCREW, 1/8 FLAT HEX HEAD X 1/2
3	3300-402JKCP	KIT, HANDLE
4	3300-404JKRBF	RETAINER
5	3300-412KJKAB	ACTUATOR ASSEMBLY
6	3300-006JKABNF	WASHER
7	671-XJKABNF	METERING VALVE CARTRIDGE
8	667-402JKABNF	MVP FILTER
9	3300-405JKNF	THRUST BEARING
10	3300-422KJKNF	KIT, HANDLE AND HUB
11	178-PPJKNF	O-RINGS, HUB REPAIR
12	-----	VALVE BODY
13	E34VPJKABCP	OUTLET, AERATOR w/ VP KEY 1.5 GPM
14	3-024JKRCF	KEY, VP
15	550-009JKABNF	CHECK CARTRIDGE ASSEMBLY
16	-----	STUD, 3/8-24 UNF X 2.5
17	242.872.21.1	KIT, COVER PLATE MOUNTING
18	1797-114JKNF	BASIN COCK WASHER
19	634-124JKNF	WASHER, STEEL 1.75 X .43 X .06
20	689-113JKRBF	NUT, 3/8-24 UNF X .56 X .22
21	3300-005JKABNF	FILTER/SCREEN
22	240.693.AB.1	KIT, SS BRAIDED HOSE (QTY 1)
23	243.392.AB.1	O-RING, #011
24	3300-433KJKNF	KIT, HANDLE, HUB & CARTRIDGE