



a Geberit company

2100 South Clearwater Drive
Des Plaines, IL 60018
Phone: 847-803-5000
Fax: 847-803-5454
www.chicagofaucets.com

FOR TECHNICAL ASSISTANCE
1-800-TEC-TRUE (1-800-832-8783)

REPAIR PARTS

BY: JAR DATE: 05-22-13
CHK: *JAR* REV: 10-20-16

FITTING NO.
SEE SCHEDULE
SUBMITTED MODEL NO.

ITEM NO.

SCHEDULE

FITTING NO.

3512-E39VPAB

3512-4E39VPAB

3512-8E39VPAB

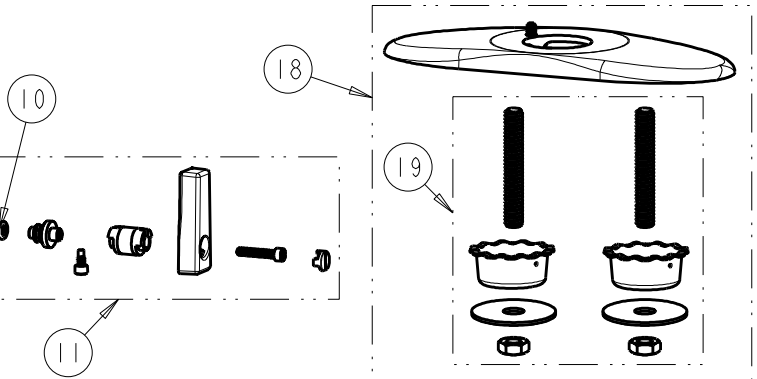
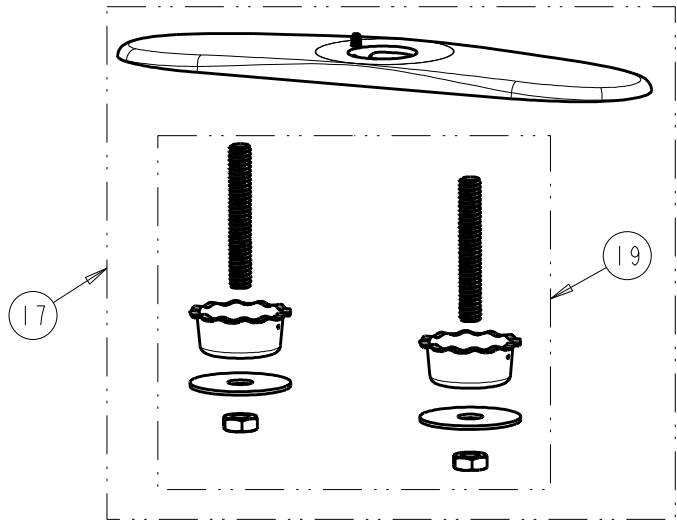
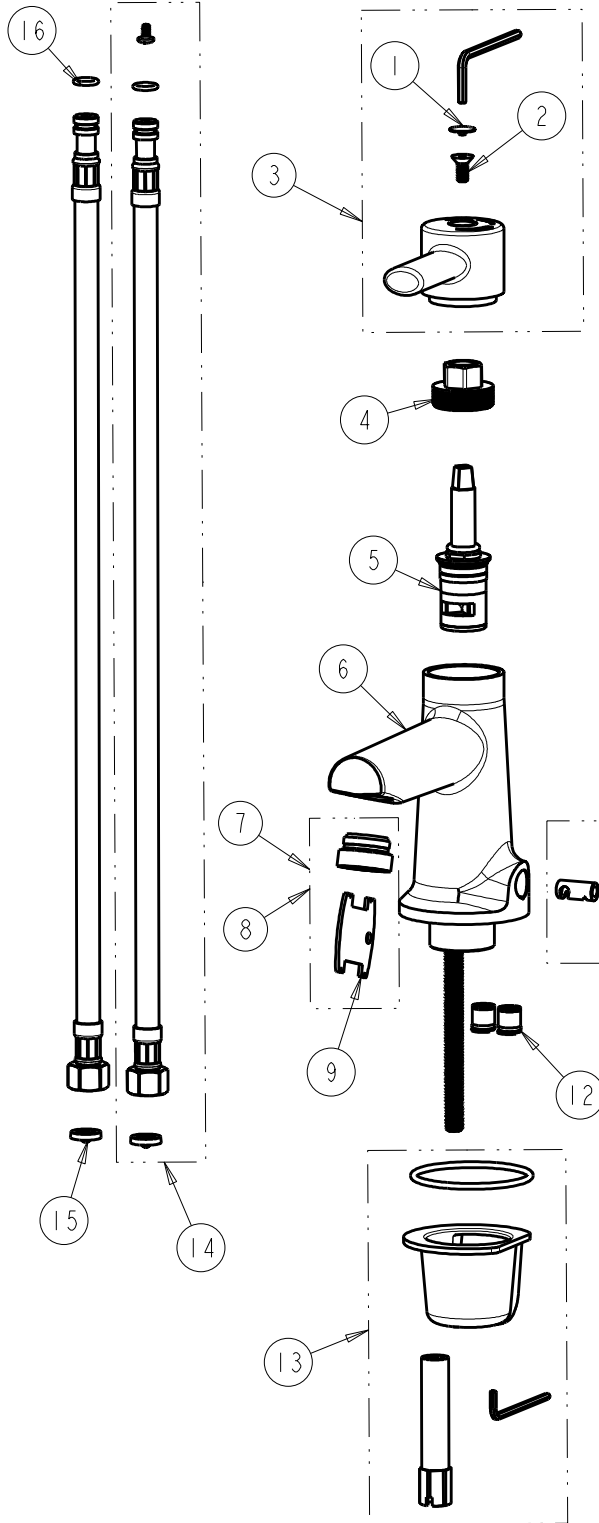
SCHEDULE

FITTING NO.

3512-E2805AB

3512-4E2805AB

3512-8E2805AB



ITEM	PART NO.	DESCRIPTION
4	3500-016JKRBF	KIT, CAP NUT
5	377-XKLHJKABNF	LH CERAMIC CARTRIDGE 1/4
6	-----	BODY, VALVE DUAL SUPPLY
7	E39VPJKABCP	OUTLET, VP SPRAY w/KEY 0.35 GPM
8	E2805JKABCP	OUTLET, VP SPRAY w/KEY 0.5 GPM
9	3-024JKRCF	KEY, VP
10	243.390.AB.1	O-RING, #008
11	3500-003KJKABNF	KIT, MIXING
12	550-009KJKABNF	CHECK CARTRIDGE ASSEMBLY
13	171-PPJKNF	KIT, DECK MOUNTING HARDWARE
14	240.693.AB.1	KIT, SS BRAIDED HOSE (QTY 1)
15	3300-005JKABNF	FILTER/SCREEN
16	243.392.AB.1	O-RING, #011
17	3500-002JKKCP	KIT, COVER PLATE 8 IN
18	3500-001JKKCP	KIT, COVER PLATE 4 IN
19	242.872.21.1	KIT, COVER PLATE MOUNTING

ITEM	PART NO.	DESCRIPTION
1	3500-005JKCP	BUTTON
2	420-020JKNF	SCREW, 1/8 FLAT HEX HEAD X 1/2
3	3500-015JKCP	KIT, MANUAL HANDLE