

CHICAGO FAUCETS
a Geberit company

2100 South Clearwater Drive
Des Plaines, IL 60018
Phone: 847-803-5000
Fax: 847-803-5454
www.chicagofaucets.com

FOR TECHNICAL ASSISTANCE
1-800-TEC-TRUE (1-800-832-8783)

REPAIR PARTS

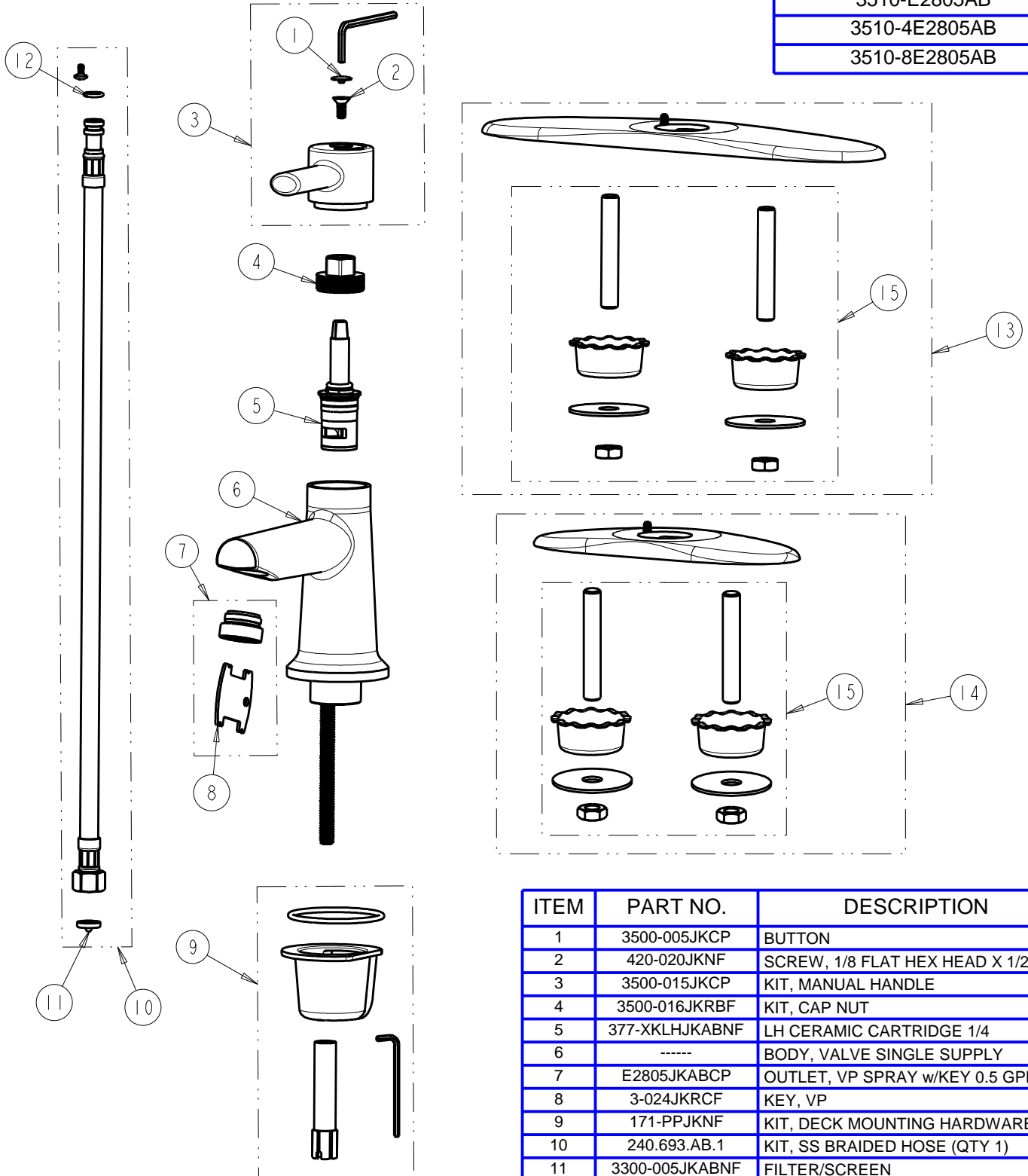
BY: SID DATE: 05-07-13
CHK: *AR* REV: 04-12-16

FITTING NO.
SEE SCHEDULE
SUBMITTED MODEL NO.

ITEM NO.

SCHEDULE

FITTING NO.
3510-E2805AB
3510-4E2805AB
3510-8E2805AB



ITEM	PART NO.	DESCRIPTION
1	3500-005JKCP	BUTTON
2	420-020JKNF	SCREW, 1/8 FLAT HEX HEAD X 1/2
3	3500-015JKCP	KIT, MANUAL HANDLE
4	3500-016JKRBF	KIT, CAP NUT
5	377-XKLHJKABNF	LH CERAMIC CARTRIDGE 1/4
6	-----	BODY, VALVE SINGLE SUPPLY
7	E2805JKABCP	OUTLET, VP SPRAY w/KEY 0.5 GPM
8	3-024JKRCF	KEY, VP
9	171-PPJKNF	KIT, DECK MOUNTING HARDWARE
10	240.693.AB.1	KIT, SS BRAIDED HOSE (QTY 1)
11	3300-005JKABNF	FILTER/SCREEN
12	243.392.AB.1	O-RING, #011
13	3500-002JKCP	KIT, COVER PLATE 8 IN
14	3500-001JKCP	KIT, COVER PLATE 4 IN
15	242.872.21.1	KIT, COVER PLATE MOUNTING