



a Geberit company

2100 South Clearwater Drive
Des Plaines, IL 60018
Phone: 847-803-5000
Fax: 847-803-5454
www.chicagofaucets.com

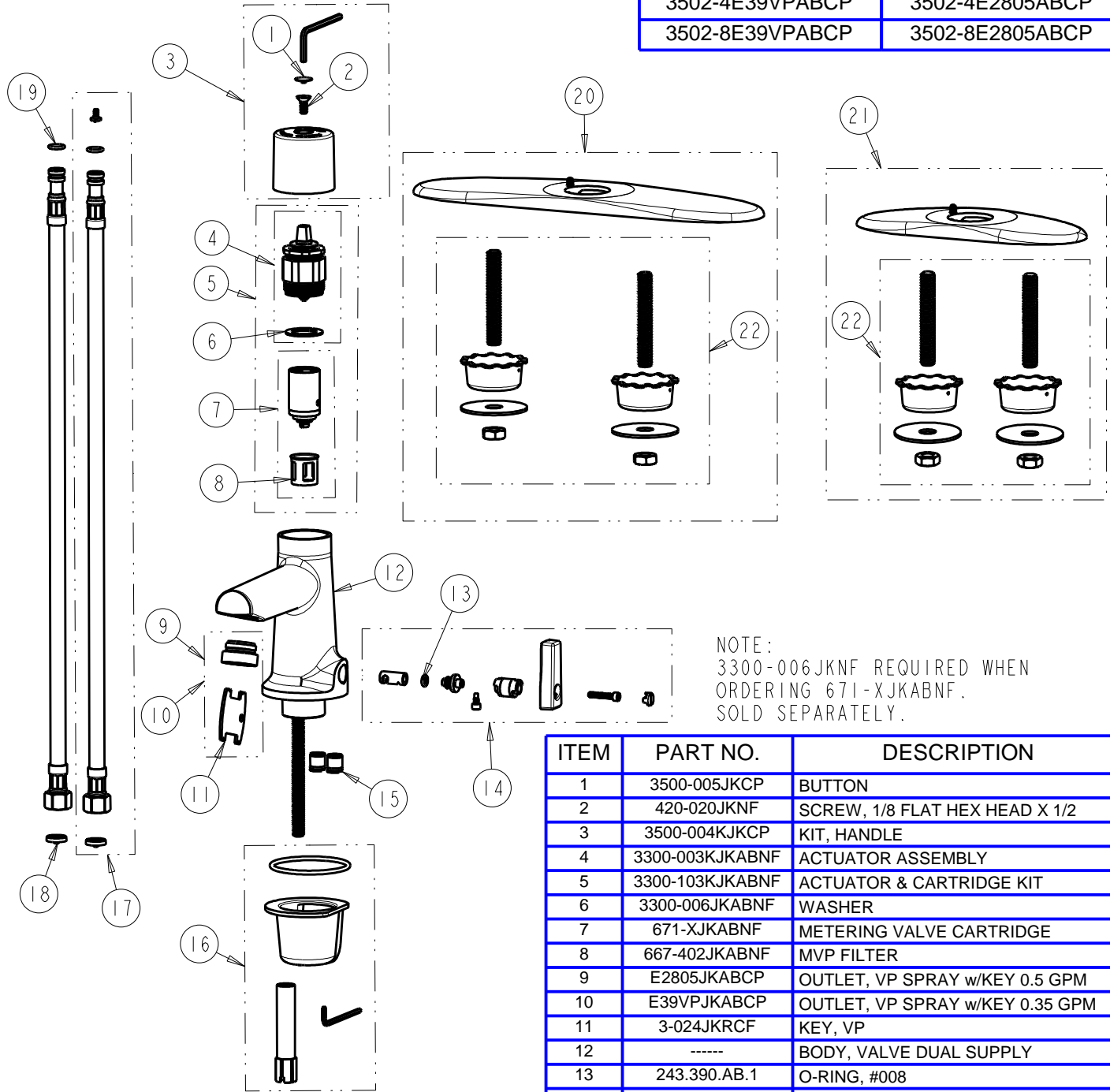
FOR TECHNICAL ASSISTANCE
1-800-TEC-TRUE (1-800-832-8783)

REPAIR PARTS

BY: JAR DATE: 01-19-12
CHK: *JAR* REV: 10-24-16

FITTING NO.
SEE SCHEDULE
SUBMITTED MODEL NO.
ITEM NO.

SCHEDULE	SCHEDULE
FITTING NO.	FITTING NO.
3502-E39VPABCP	3502-E2805ABCP
3502-4E39VPABCP	3502-4E2805ABCP
3502-8E39VPABCP	3502-8E2805ABCP



NOTE:
3300-006JKNF REQUIRED WHEN
ORDERING 671-XJKABNF.
SOLD SEPARATELY.

ITEM	PART NO.	DESCRIPTION
1	3500-005JKCP	BUTTON
2	420-020JKNF	SCREW, 1/8 FLAT HEX HEAD X 1/2
3	3500-004JKCP	KIT, HANDLE
4	3300-003KJKABNF	ACTUATOR ASSEMBLY
5	3300-103KJKABNF	ACTUATOR & CARTRIDGE KIT
6	3300-006JKABNF	WASHER
7	671-XJKABNF	METERING VALVE CARTRIDGE
8	667-402JKABNF	MVP FILTER
9	E2805JKABCP	OUTLET, VP SPRAY w/KEY 0.5 GPM
10	E39VPJKABCP	OUTLET, VP SPRAY w/KEY 0.35 GPM
11	3-024JKRCF	KEY, VP
12	-----	BODY, VALVE DUAL SUPPLY
13	243.390.AB.1	O-RING, #008
14	3500-003KJKABNF	KIT, MIXING
15	550-009KJKABNF	CHECK CARTRIDGE ASSEMBLY
16	171-PPJKNF	KIT, DECK MOUNTING HARDWARE
17	240.693.AB.1	KIT, SS BRAIDED HOSE (QTY 1)
18	3300-005JKABNF	FILTER/SCREEN
19	243.392.AB.1	O-RING, #011
20	3500-002JKCP	KIT, COVER PLATE 8 IN
21	3500-001JKCP	KIT, COVER PLATE 4 IN
22	242.872.21.1	KIT, COVER PLATE MOUNTING