

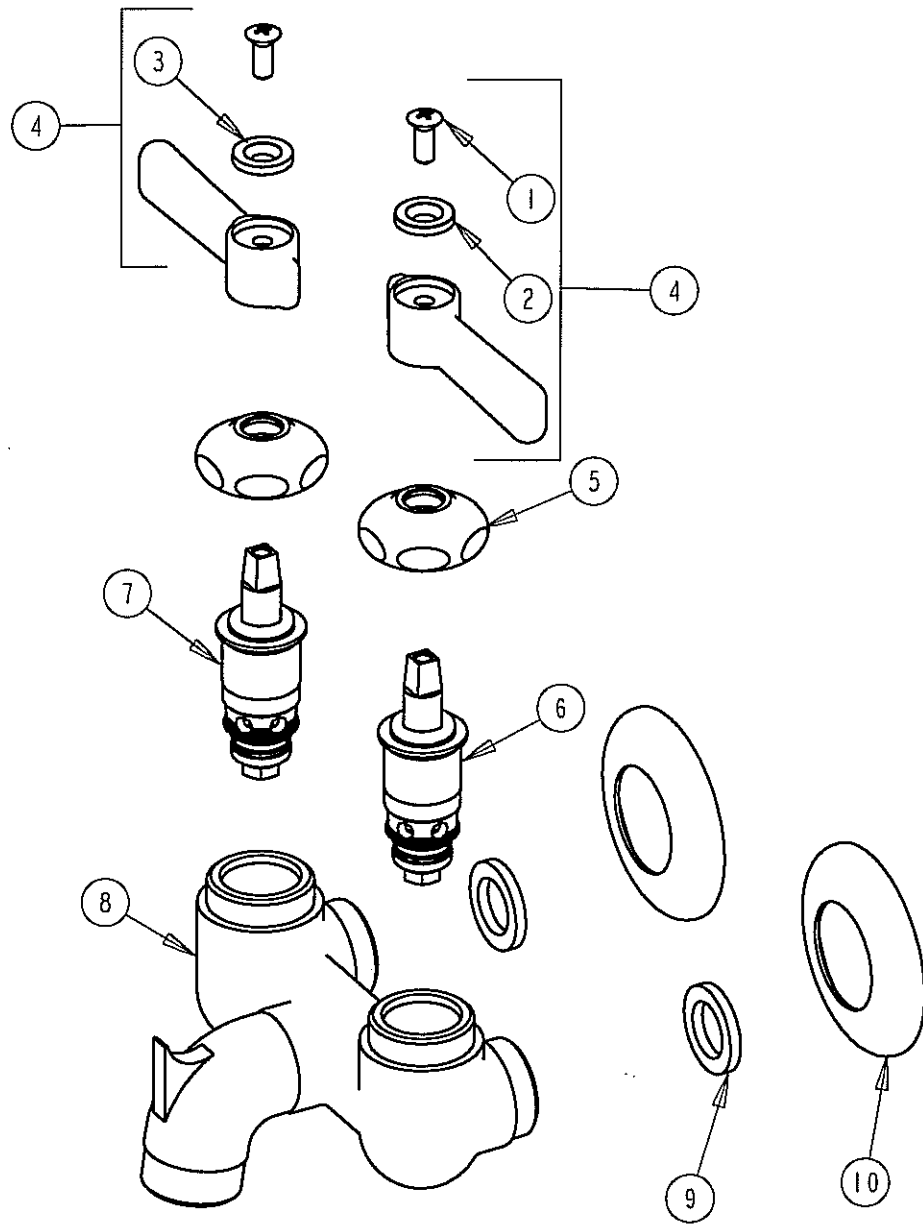
# PARTS LIST

BY: SID  
CHK'D: *SID*

**CHICAGO FAUCETS**  
*Last As Long As The Building*

FINISH: AS SPECIFIED  
DATE: 09-27-02

305-LESSARMRCF



ITEM NO.	PART NO.	DESCRIPTION
1	420-010	SCREW
2	633-123	INDEX BUTTON (BLUE)
3	633-023	INDEX BUTTON (RED)
4	369PR	LEVER HANDLE ASSEMBLY
5	1-214	CAP
6	1-099XT	QUATURN UNIT (RH)
7	1-100XT	QUATURN UNIT (LH)
8	-----	VALVE BODY NOT SOLD SEPARATELY
9	1-011	WASHER
10	1-055	FLANGE