



a Geberit company

2100 South Clearwater Drive
Des Plaines, IL 60018
Phone: 847-803-5000
Fax: 847-803-5454
www.chicagofaucets.com

FOR TECHNICAL ASSISTANCE
1-800-TEC-TRUE (1-800-832-8783)

REPAIR PARTS

BY: JAR DATE: 05-02-12

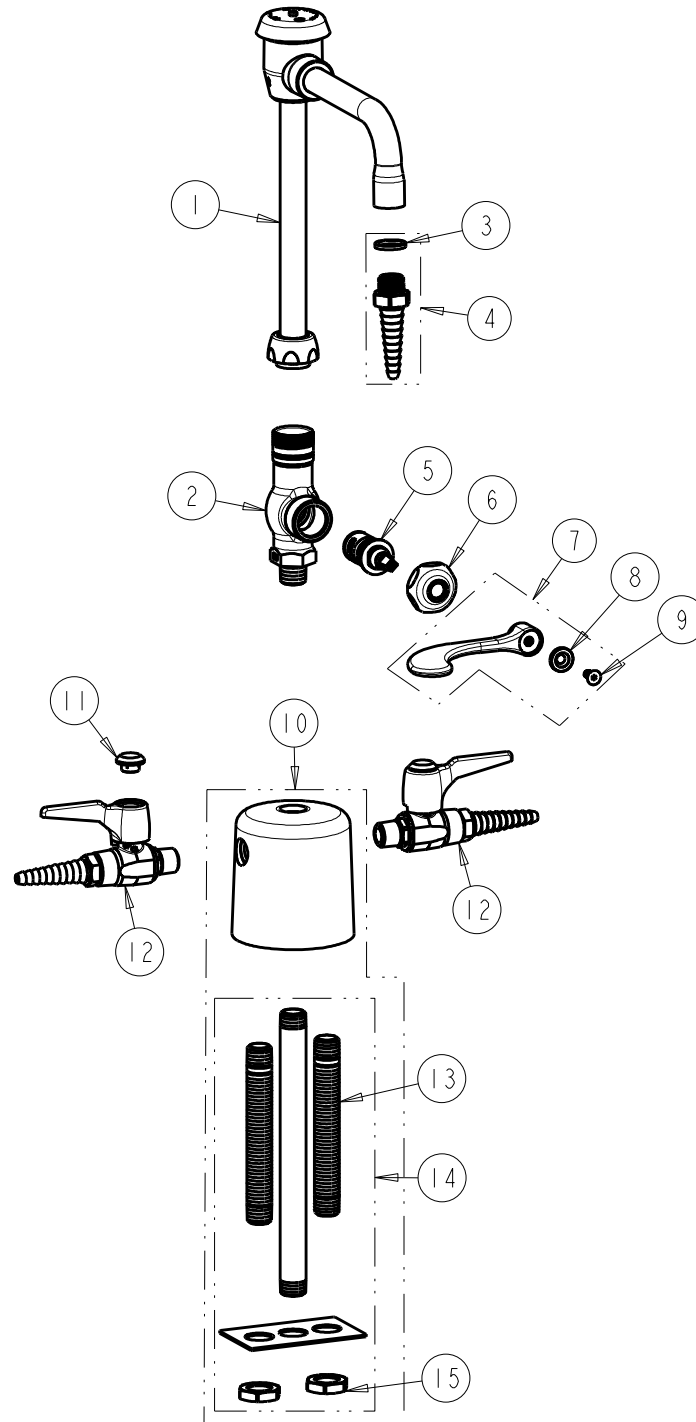
CHK: *[Signature]* REV: 06-23-14

FITTING NO.

1301-GN2BVBE7-317XKCP

SUBMITTED MODEL NO.

ITEM NO.



ITEM	PART NO.	DESCRIPTION	ITEM	PART NO.	DESCRIPTION
1	GN2BVBJKABCP	SPOUT, VACUUM BREAKER	9	420-020JKNF	SCREW, 1/8 FLAT HEX HEAD X 1/2
2	937-225-5CP	WATER COCK	10	1301-SBJKCP	TURRET
3	229-003JKABNF	WASHER	11	216-328JKNF	BUTTON 'GAS'
4	E7JKCP	SERRATED HOSE NOZZLE	12	909-LEB	BALL VALVE
5	1-099XKJKABNF	RH CERAMIC CARTRIDGE 1/4	13	957-003JKABRBF	MALE THREAD SHANK
6	1-214JKCP	CAP	14	1301-SB1KJKRBF	SHANK ASSEMBLY
7	317-COLDJKCP	WRISTBLADE HANDLE	15	705-008JKRBF	NUT
8	633-123JKNF	INDEX BUTTON (BLUE)			