

**CHICAGO FAUCETS** 

a Geberit company

2100 South Clearwater Drive  
Des Plaines, IL 60018  
Phone: 847-803-5000  
Fax: 847-803-5454  
www.chicagofaucets.com

**FOR TECHNICAL ASSISTANCE**  
1-800-TEC-TRUE (1-800-832-8783)

# REPAIR PARTS

BY: JAR      DATE: 10-27-08

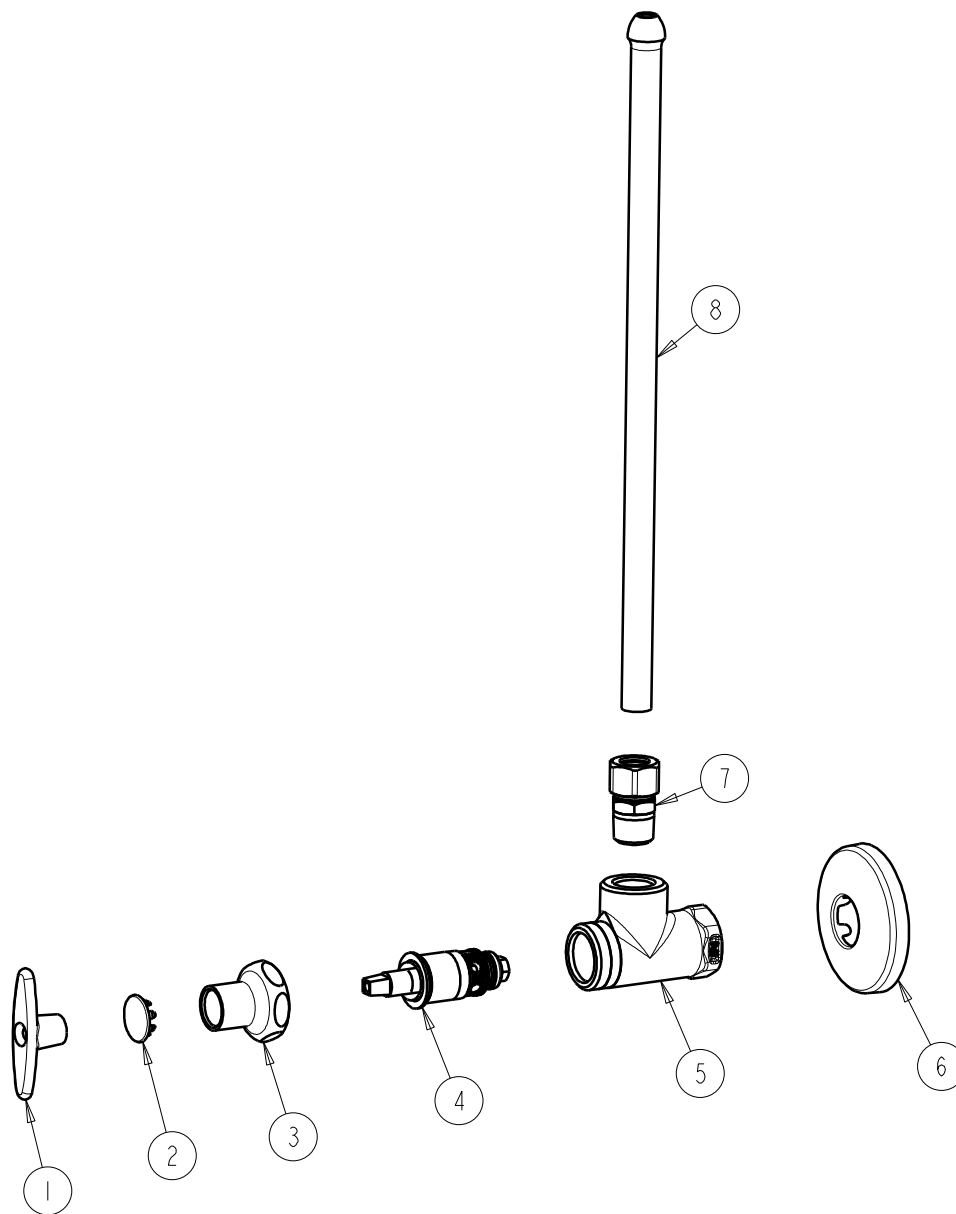
CHK: *JAR*      REV:

FITTING NO.

**1006-ABCP**

SUBMITTED MODEL NO.

ITEM NO.



ITEM	PART NO.	DESCRIPTION
1	293-006JKRCF	HANDLE, TEE INCLUDES SCREW
2	1-144JKCP	BUTTON
3	1-246JKCP	NUT, CAP LOOSE KEY 1-1/8-18 UNEF
4	AB217-XTLHJKNF	CARTRIDGE, SLO-COMPRESSION
5	---	VALVE BODY (NOT SOLD SEPARATELY)
6	749-016JKCP	FLANGE
7	1022-006JKRCF	COMP. FITTING 1/2 TUBE X 3/8 NPT
8	1003-001JKRCF	FLEXIBLE TUBE 1/2 X 11-15/16