



2100 SOUTH CLEARWATER DRIVE
DES PLAINES, ILLINOIS 60018-5999

FITTING NO.

E7TJK

SUBMITTED MODEL NO.

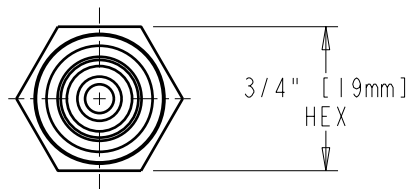
JOB NAME

ITEM NO.

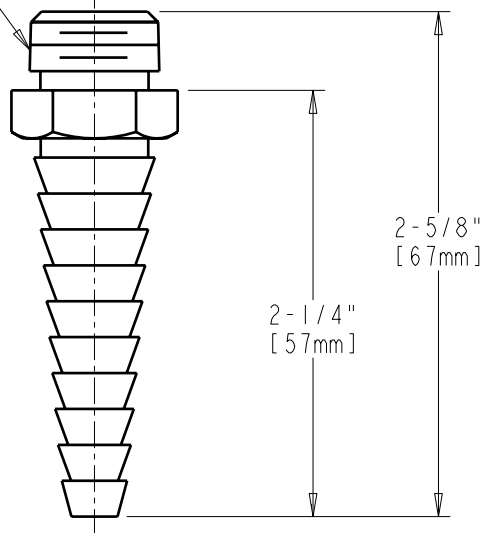
SUBMITTED AS SHOWN

SUBMITTED AS NOTED

SEE ATTACHED FOR
SUBMITTED MODIFICATION



3/8" NPT MALE
THREAD INLET



ROUGHING IN DIMENSIONS MAY VARY AND ARE SUBJECT TO CHANGE. NO RESPONSIBILITY IS ASSUMED FOR USE OF SUPERCEDED OR VOIDED DATA.

TECHNICAL DATA

- REMOVABLE SERRATED HOSE NOZZLE
- FINISH: CHROME PLATE

DATE: 08-29-07

BY: SID

CHK'D:

APP'D: *[Signature]*

REV:

E7TJK